

注記 NOTES

△ 接点部までの嵌合長さ。
MATING LENGTH TO CONTACT POINT.

2. 使用材料 MATERIAL

ハウジング : 46ナイロン (耐熱性), UL94V-0
 HOUSING : HEAT-RESISTANT NYLON46, UL94V-0
 アクチュエータ : PPS, UL94V-0
 ACTUATOR : PPS, UL94V-0
 ターミナル : リン青銅 (t=0.32)
 TERMINAL : PHOS-BRO.(t=0.32)

メッキ
 CONTACT部 : 金メッキ 0.1マイクロメートル以上
 テール部 : 錫メッキ 1.0マイクロメートル以上
 下地メッキ : ニッケル 1.0マイクロメートル以上

金具

メッキ : 銅合金 (t=0.25)
 FITTING NAIL : PHOS-BRO.(t=0.25)

メッキ : 錫メッキ 1マイクロメートル以上
 下地メッキ : ニッケル 1マイクロメートル以上

PLATED : TIN PLATED 1MICROMETER MIN.
 OVER PLATED : NICKEL PLATED 1MICROMETER MIN.

△ パターンはくり止め金具
 FITTING NAIL FOR PREVENTION OF FOOT PRINT PEELING.

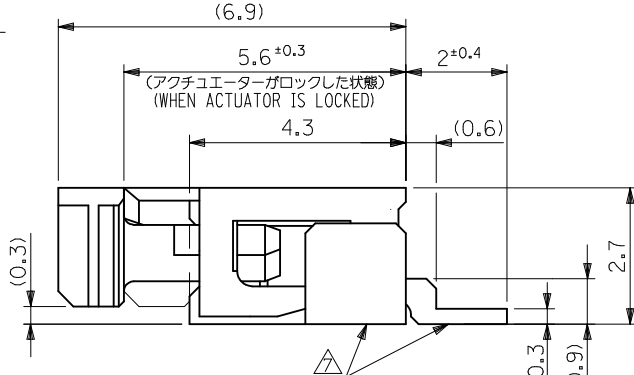
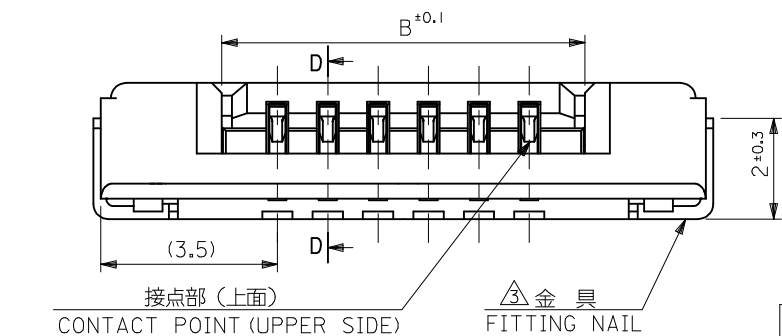
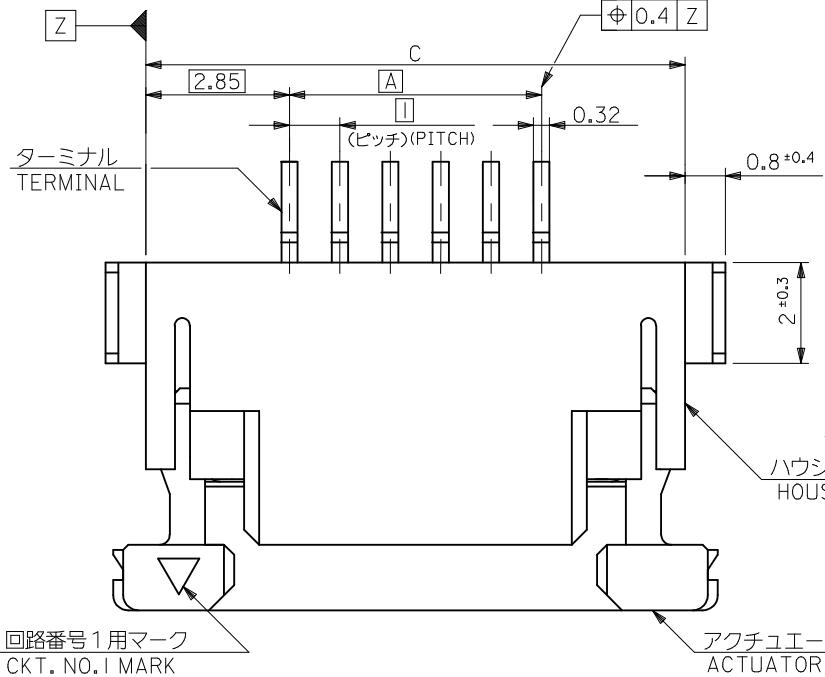
4. エンボステープ梱包時は、アクチュエータが
 ロックした状態とする。
 ACTUATOR TO BE LOCKED IN EMBOSSED TAPE PACKAGE.

△ FPC挿入深さ
 INSERTION DEPTH OF FPC.

△ パターン書き込み禁止エリア。
 NO FOOT PRINT AREA.

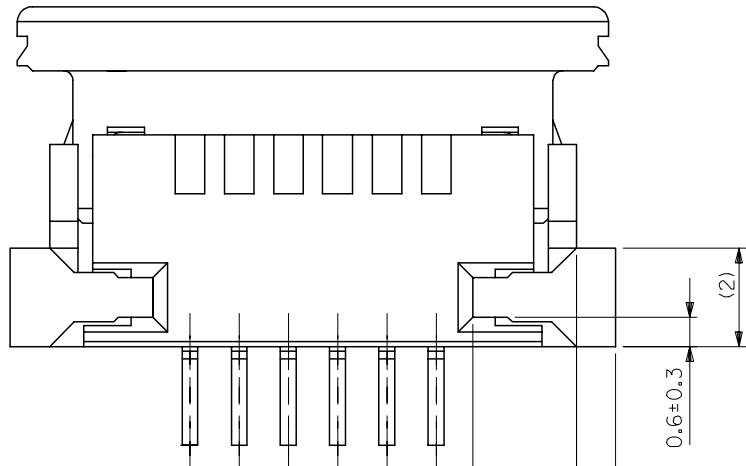
△ テール及び金具の平坦度は、0.15以下とする。
 COPLANARITY OUT OF SPECIFICATION.
 TAIL : 0.15 MAX.
 NAIL : 0.15 MAX.

8. 本製品は 52207-**19 の鉛フリー品である。
 THIS PRODUCT IS GOLD PLATING OF 52207-**19.

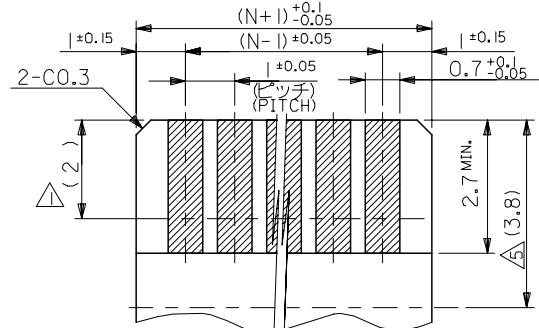


34.7	31.2	29	52207-3067	30
33.7	30.2	28	52207-2967	29
32.7	29.2	27	52207-2867	28
31.7	28.2	26	52207-2767	27
30.7	27.2	25	52207-2667	26
29.7	26.2	24	52207-2567	25
28.7	25.2	23	52207-2467	24
27.7	24.2	22	52207-2367	23
26.7	23.2	21	52207-2267	22
25.7	22.2	20	52207-2167	21
24.7	21.2	19	52207-2067	20
23.7	20.2	18	52207-1967	19
22.7	19.2	17	52207-1867	18
21.7	18.2	16	52207-1767	17
20.7	17.2	15	52207-1667	16
19.7	16.2	14	52207-1567	15
18.7	15.2	13	52207-1467	14
17.7	14.2	12	52207-1367	13
16.7	13.2	11	52207-1267	12
15.7	12.2	10	52207-1167	11
14.7	11.2	9	52207-1067	10
13.7	10.2	8	52207-0967	9
12.7	9.2	7	52207-0867	8
11.7	8.2	6	52207-0767	7
10.7	7.2	5	52207-0667	6
9.7	6.2	4	52207-0567	5
8.7	5.2	3	52207-0467	4
7.7	4.2	2	52207-0367	3
C	B	A	MATERIAL NO.	極数
			MODEL NO. 52207-**67	CIRCUITS

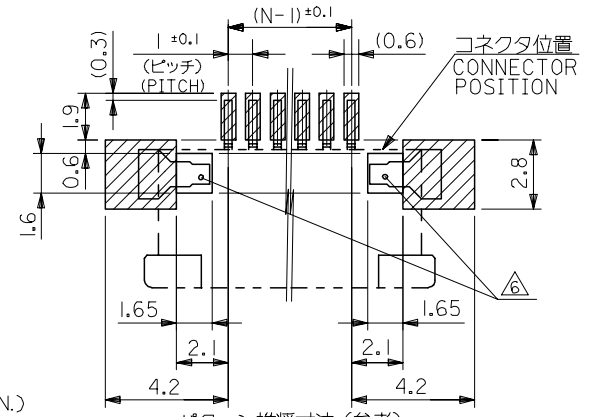
REVISED EC NO.: J2007-0873 DRWN: YOTANI 2006/09/22 CHKD: Y. MAEDA 2007/03/23 APPR: NUKITA 2007/03/26	GENERAL TOLERANCES (UNLESS SPECIFIED)		DIMENSION STYLE MM ONLY		SCALE 10:1		DESIGN UNITS METRIC		THIRD ANGLE PROJECTION		
	10 UNDER ±0.2		DRAWN BY DATE M. UMEDA 2005/03/02		TITLE 1.0 FPC CONN. ZIF SMT HSG ASSY -LEAD FREE- MOLEX MOLEX INCORPORATED						
	10 OVER 30 UNDER ±0.25		CHECKED BY DATE K. TOYODA 2005/03/02								
	30 OVER ±0.3		APPROVED BY DATE N. UKITA 2005/03/02		MATERIAL NO. SEE CHART		DOCUMENT NO. SD-52207-064		SHEET NO. 1 OF 2		
ANGULAR ±1 °		DRAFT WHERE APPLICABLE MUST REMAIN WITHIN DIMENSIONS		SIZE A3		THIS DRAWING CONTAINS INFORMATION THAT IS PROPRIETARY TO MOLEX INCORPORATED AND SHOULD NOT BE USED WITHOUT WRITTEN PERMISSION					



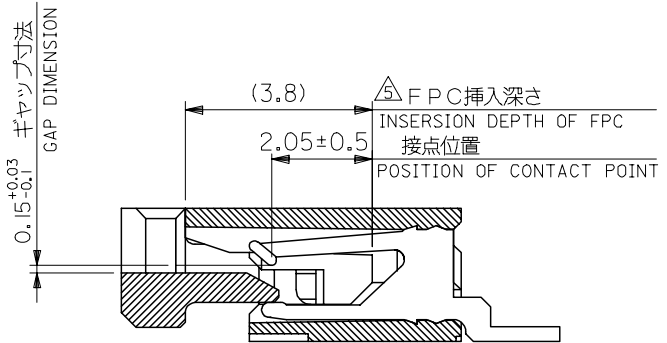
下面図
BOTTOM VIEW



(仕上り厚さ: 0.3 ± 0.05) (メッキ厚: $0.1 \mu\text{m MIN.}$)
 (THICKNESS: 0.3 ± 0.05) (PLATING THICKNESS: $0.1 \mu\text{m MIN.}$)
 適合FPC/FPC推奨寸法
 RECOMMENDED APPLICABLE
 FPC/FFC LAYOUT



パターン推奨寸法 (参考)
 RECOMMENDED PATTERN DIM.(REF.)



断面D-D
SECT.D-D

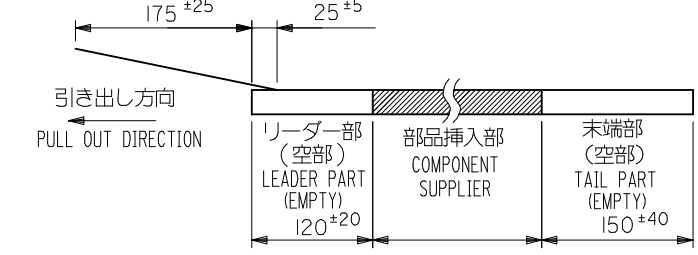
FPCについて:
 打抜き方向は、導体側から補強板側を推奨いたします。
 補強フィルム材質は、ポリイミドを推奨いたします。
 接着剤は、熱硬化接着剤を推奨いたします。

ABOUT FPC:
 RECOMMENDED PUNCHER DIRECTION: FROM CONDUCTOR SIDE TO STIFFENER BOARD SIDE.
 RECOMMENDED MATERIAL:
 STIFFENER FILM: POLYIMIDE
 BONDING AGENT: THERMOSETTING BONDING AGENT

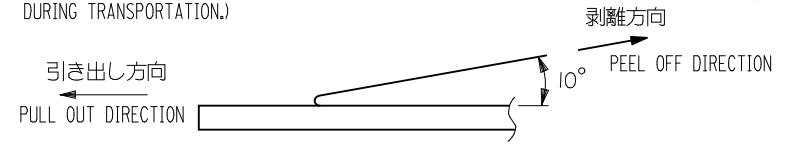
REVISED EC NO: J2007-0873 DRWN: OTANI 2006/09/22 CHKD: Y. MAEDA 2007/03/23 APPR: NUKITA 2007/03/26	GENERAL TOLERANCES (UNLESS SPECIFIED)		DIMENSION STYLE MM ONLY	SCALE 10:1	DESIGN UNITS METRIC	THIRD ANGLE PROJECTION
	10 UNDER	± 0.2	DRAWN BY M.UMEDA	DATE 2005/03/02	TITLE 1.0 FPC CONN. ZIF SMT HSG ASSY -LEAD FREE-	
	10 OVER 30 UNDER	± 0.25	CHECKED BY K.TOYODA	DATE 2005/03/02	MOLEX INCORPORATED	
	30 OVER	± 0.3	APPROVED BY N.NUKITA	DATE 2005/03/02		
	ANGULAR	$\pm 1^\circ$	MATERIAL NO.	DOCUMENT NO.	SHEET NO.	
DRAFT WHERE APPLICABLE MUST REMAIN WITHIN DIMENSIONS		SIZE A3	SEE SHEET 1	SD-52207-064	2 OF 2	

注記

- 製品番号 52207-**67 の梱包状態はアクチュエータがロックした状態とする。
 詳細寸法については図面 SD-52207-064 を参照下さい。
 IN THE PACKAGE, ACTUATOR OF PART NO.52207-**67 SHOULD BE LOCKED
 RE DETAILED DIMENSIONS, SEE SD-52207-064
- 梱包数量：1000個/リール
 NUMBER OF CONNECTORS: 1000PCS/REEL
- リードテープ長さ(LEAD TAPE LENGTH)

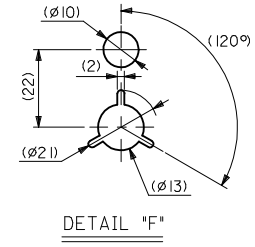
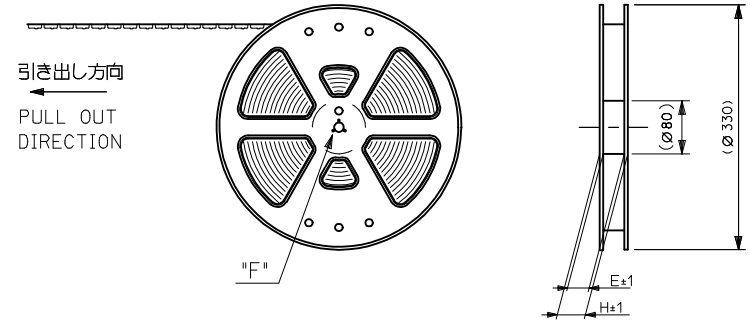


- トップテープの剥離強度：0.1~1.3N (10gf~130gf) (剥離方向は下図参照)
 尚、本規格値は、出荷時に適用。(但し、輸送時に剥離が発生しない事。)
 PEELING OFF FORCE OF TOP TAPE: 0.1~1.3N (10gf~130gf)
 (PEELING DIRECTION AS SHOWN IN FOLLOWING FIG.)
 THIS REQUIREMENT SHOULD BE APPLIED AT SHIPMENT.(PEEL OFF SHOULD NOT BE ALLOWED, DURING TRANSPORTATION.)



- 材料 (MATERIAL)
 キャリアテープ (CARRIER TAPE): ポリプロピレン (POLYPROPYLENE)
 トップテープ (TOPTAPE): PET, PE, PEF
 リール (REEL): ポリスチレン (PS) <リサイクル材を含む>
 POLYSTYRENE (PS) <RECYCLE MATERIAL CONTAINED>

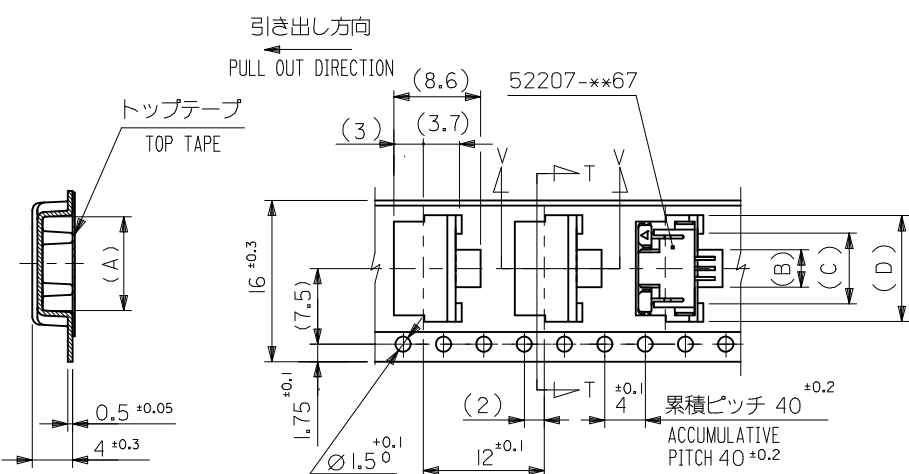
- 本製品は 52207-**85 の金メッキ品である。
 THIS PRODUCT IS GOLD PLATING OF 52207-**85.
- 本製品は乾燥剤入り、ハイバリア梱包仕様である。
 THIS PRODUCT IS HIGH BARRIER PACKAGE WITH DESICCANT.



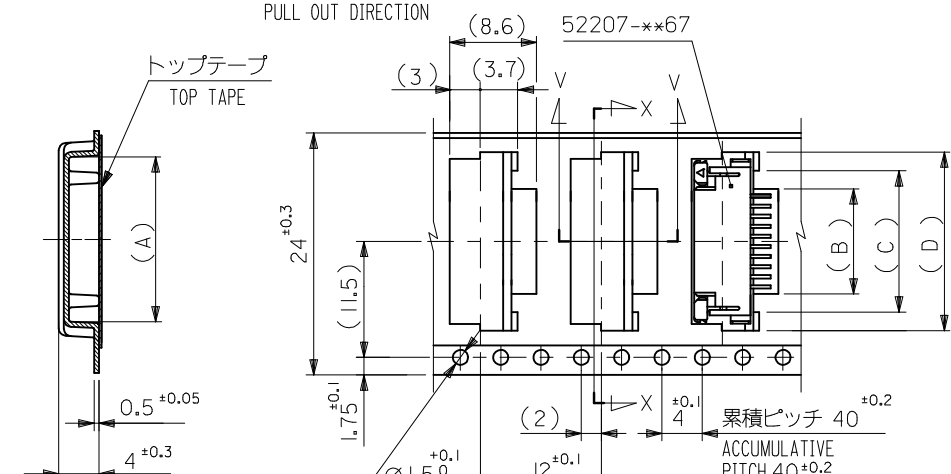
DETAIL "F"

MODEL No.52207-**60

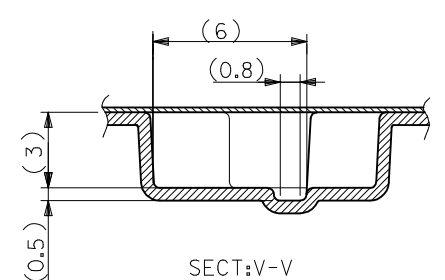
REVISED EC NO: J2016-0832 DRWN: YMIZUNO02 2016/02/03 CHKD: TAKAHASHI 2016/02/03 APPR: KUSUHARA01 2016/02/12	GENERAL TOLERANCES (UNLESS SPECIFIED)			DIMENSION STYLE MM ONLY		SCALE ---	DESIGN UNITS METRIC	THIRD ANGLE PROJECTION	
	0.25 UNDER	UNDER	± 0.03	DRAWN BY	DATE	TITLE			
	0.25 OVER	0.5 UNDER	± 0.05	M. UMEDA	2005/03/03	1.0 FPC CONN. ZIF SMT WITH EMBSTP PKG -LEAD FREE-			
	0.5 OVER	1.0 UNDER	± 0.1	CHECKED BY	DATE	molex			
	1.0 OVER	30 UNDER	± 0.2	K. TOYODA	2005/03/03				
	10 OVER	30 UNDER	± 0.25	APPROVED BY	DATE	DOCUMENT NO.		SHEET NO.	
30 OVER		± 0.3	N. UKITA	2005/03/03	SD-52207-065		1 OF 5		
ANGULAR	±1 °		MATERIAL NO. SEE SHEET 2-5		THIS DRAWING CONTAINS INFORMATION THAT IS PROPRIETARY TO MOLEX ELECTRONIC TECHNOLOGIES, LLC AND SHOULD NOT BE USED WITHOUT WRITTEN PERMISSION				
DRAFT WHERE APPLICABLE MUST REMAIN WITHIN DIMENSIONS			SIZE A3						



SECT:T-T
16mm 幅 キャリアテープ
16mm WIDTH CARRIER TAPE



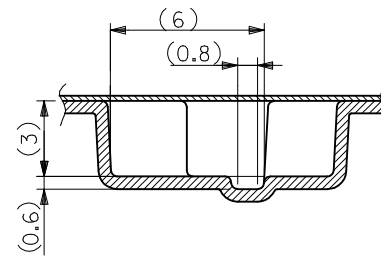
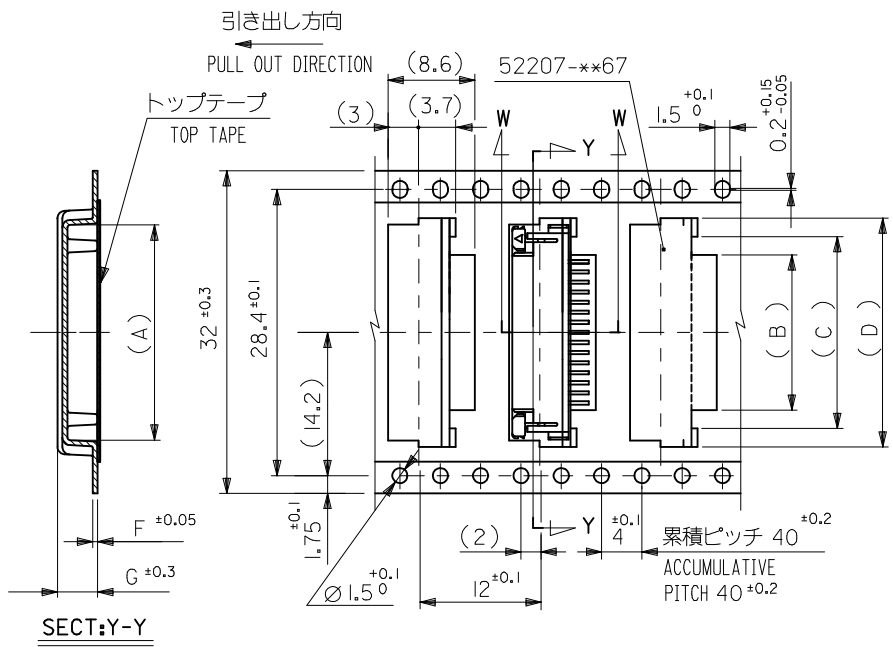
SECT:X-X
24mm 幅 キャリアテープ
24mm WIDTH CARRIER TAPE



SECT:V-V

24	29.4	25.4	18.5	15	11.7	17.3	52207-1160	11
			17.5	14	10.7	16.3	52207-1060	10
			16.5	13	9.7	15.3	52207-0960	9
			15.5	12	8.7	14.3	52207-0860	8
			14.5	11	7.7	13.3	52207-0760	7
			13.5	10	6.7	12.3	52207-0660	6
			12.5	9	5.7	11.3	52207-0560	5
			11.5	8	4.7	10.3	52207-0460	4
16	21.4	17.4	10.5	7	3.7	9.3	52207-0360	3
キャリアテープ幅 CARRIER TAPE WIDTH	H	E	(D)	(C)	(B)	(A)	EMBOSSED PACKAGE ORDER NO.	極数 CKT.

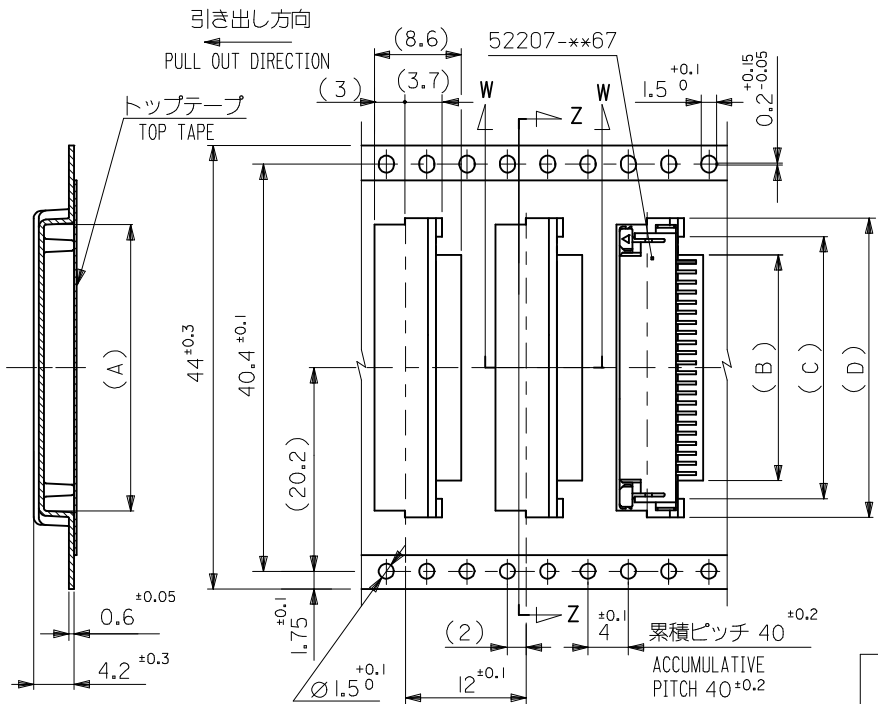
SEE SHEET 1 EC NO.: J2016-0832 DRWN: YMIZUNO02 2016/02/03 CHKD: TAKAHASHI 2016/02/03 APPR: KUSUHARA01 2016/02/12	GENERAL TOLERANCES (UNLESS SPECIFIED)			DIMENSION STYLE MM ONLY		SCALE ---	DESIGN UNITS METRIC	THIRD ANGLE PROJECTION
	0.25 UNDER	UNDER	±0.03	DRAWN BY	DATE	TITLE		
	0.25 OVER	0.5 UNDER	±0.05	M.UMEDA	2005/03/03	1.0 FPC CONN. ZIF SMT WITH EMBSTP PKG -LEAD FREE-		
	0.5 OVER	1.0 UNDER	±0.1	CHECKED BY	DATE	molex		
	1.0 OVER	30 UNDER	±0.2	K.TOYODA	2005/03/03			
10 OVER	30 UNDER	±0.25	APPROVED BY	DATE	DOCUMENT NO.			
30 OVER		±0.3	N.UKITA	2005/03/03	SD-52207-065			
ANGULAR	±1 °		MATERIAL NO.		SHEET NO.			
DRAFT WHERE APPLICABLE MUST REMAIN WITHIN DIMENSIONS			SIZE A3	THIS DRAWING CONTAINS INFORMATION THAT IS PROPRIETARY TO MOLEX ELECTRONIC TECHNOLOGIES, LLC AND SHOULD NOT BE USED WITHOUT WRITTEN PERMISSION				



32mm 幅 キャリアテープ
32mm WIDTH CARRIER TAPE

32	37.4	33.4	4.0	0.5	23.5	20	16.7	22.35	52207-1660	16
			4.2	0.6	22.5	19	15.7	21.35	52207-1560	15
			4.2	0.6	21.5	18	14.7	20.35	52207-1460	14
			4.2	0.6	20.5	17	13.7	19.35	52207-1360	13
			4.2	0.6	19.5	16	12.7	18.35	52207-1260	12
キャリアテープ幅 CARRIER TAPE WIDTH	H	E	(G)	(F)	(D)	(C)	(B)	(A)	EMBOSSED PACKAGE ORDER NO.	種数 CKT.

SEE SHEET 1 EC NO: J2016-0832 DRWN: YMIZUNO02 2016/02/03 CHKD: TAKAHASHI 2016/02/03 APPR: IKUSUHARA01 2016/02/12	DESCRIPTION	GENERAL TOLERANCES (UNLESS SPECIFIED)			DIMENSION STYLE MM ONLY		SCALE ---	DESIGN UNITS METRIC	THIRD ANGLE PROJECTION	
		0.25 UNDER	UNDER	±0.03	DRAWN BY	DATE	TITLE			
		0.25 OVER	0.5 UNDER	±0.05	M.UMEDA	2005/03/03	1.0 FPC CONN ZIF SMT WITH EMBSTP PKG -LEAD FREE-			
		0.5 OVER	1.0 UNDER	±0.1	K.TOYODA	2005/03/03	molex			
		1.0 OVER	10 UNDER	±0.2	N.UKITA	2005/03/03				
30 OVER		±0.3	MATERIAL NO.		DOCUMENT NO.		SHEET NO.			
ANGULAR ±1 °			SEE CHART		SD-52207-065		3 OF 5			
DRAFT WHERE APPLICABLE MUST REMAIN WITHIN DIMENSIONS			SIZE A3	THIS DRAWING CONTAINS INFORMATION THAT IS PROPRIETARY TO MOLEX ELECTRONIC TECHNOLOGIES, LLC AND SHOULD NOT BE USED WITHOUT WRITTEN PERMISSION						

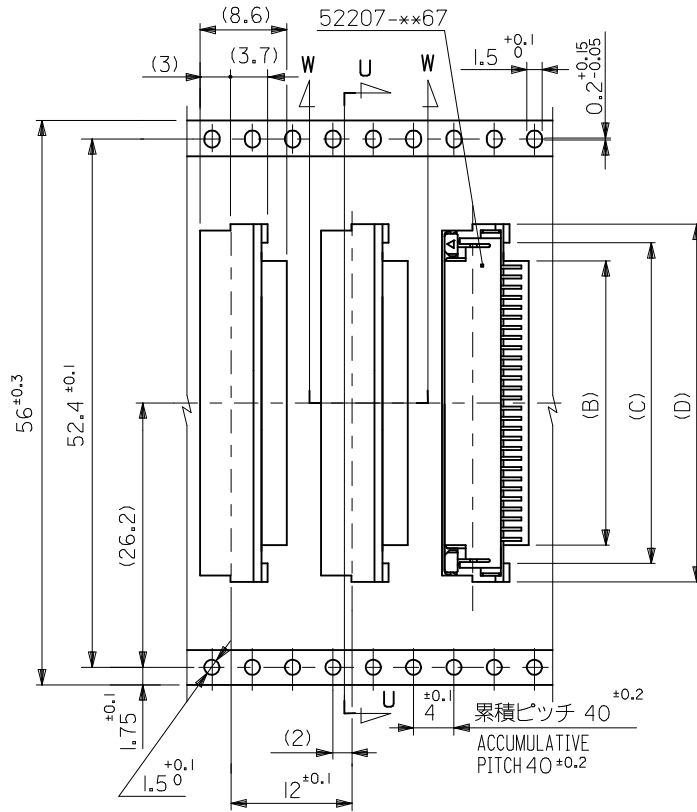
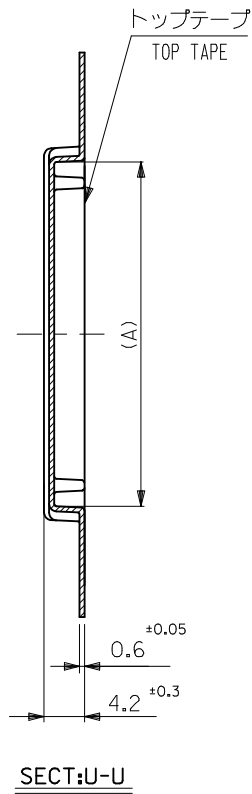


SECT:Z-Z

44mm 幅 キャリアテープ
44mm WIDTH CARRIER TAPE

44	49.4	45.4	—	—	34.5	31	27.7	33.35	52207-2760	27		
			—	—	33.5	30	26.7	32.35	52207-2660	26		
			—	—	32.5	29	25.7	31.35	52207-2560	25		
			—	—	31.5	28	24.7	30.35	52207-2460	24		
			—	—	30.5	27	23.7	29.35	52207-2360	23		
			—	—	29.5	26	22.7	28.35	52207-2260	22		
			—	—	28.5	25	21.7	27.35	52207-2160	21		
			—	—	27.5	24	20.7	26.35	52207-2060	20		
			—	—	26.5	23	19.7	25.35	52207-1960	19		
			—	—	25.5	22	18.7	24.35	52207-1860	18		
—	—	24.5	21	17.7	23.35	52207-1760	17					
キャリアテープ幅 CARRIER TAPE WIDTH			H	E	(G)	(F)	(D)	(C)	(B)	(A)	EMBOSSED PACKAGE ORDER NO.	種数 CKT.

SEE SHEET 1 EC NO: J2016-0832 DRWN: YMIZUNO02 2016/02/03 CHKD: TAKAHASHI 2016/02/03 APPR: IKUSUHARA01 2016/02/12	GENERAL TOLERANCES (UNLESS SPECIFIED)			DIMENSION STYLE MM ONLY		SCALE ---	DESIGN UNITS METRIC	THIRD ANGLE PROJECTION				
	0.25 UNDER	UNDER	±0.03	DRAWN BY	DATE	TITLE						
	0.25 OVER	0.5 UNDER	±0.05	M.UMEDA	2005/03/03	1.0 FPC CONN ZIF SMT WITH EMBSTP PKG -LEAD FREE-						
	0.5 OVER	1.0 UNDER	±0.1	CHECKED BY	DATE	molex DOCUMENT NO. SD-52207-065 SHEET NO. 4 OF 5						
	1.0 OVER	30 UNDER	±0.2	K.TOYODA	2005/03/03							
10 OVER	30 UNDER	±0.25	APPROVED BY	DATE	SEE CHART							
30 OVER		±0.3	N.UKITA	2005/03/03	THIS DRAWING CONTAINS INFORMATION THAT IS PROPRIETARY TO MOLEX ELECTRONIC TECHNOLOGIES, LLC AND SHOULD NOT BE USED WITHOUT WRITTEN PERMISSION							
ANGULAR	±1 °		DRAFT WHERE APPLICABLE MUST REMAIN WITHIN DIMENSIONS		SIZE A3							



56mm 幅 キャリアテープ
56mm WIDTH CARRIER TAPE

56	61.4	57.4	37.5	34	30.7	36.35	52207-3060	30
			36.5	33	29.7	35.35	52207-2960	29
			35.5	32	28.7	34.35	52207-2860	28
キャリアテープ幅 CARRIER TAPE WIDTH	H	E	(D)	(C)	(B)	(A)	EMBOSSED PACKAGE ORDER NO.	極数 CKT.

SEE SHEET 1 EC NO: J2016-0832 DRWN: YMIZUNO02 2016/02/03 CHKD: KTAHASHI 2016/02/03 APPR: TKUSUHARA01 2016/02/12	GENERAL TOLERANCES (UNLESS SPECIFIED)			DIMENSION STYLE MM ONLY		SCALE ---	DESIGN UNITS METRIC	THIRD ANGLE PROJECTION	
	0.25 UNDER	UNDER	±0.03	DRAWN BY	DATE	TITLE			
	0.25 OVER	0.5 UNDER	±0.05	M.UMEDA	2005/03/03	1.0 FPC CONN ZIF SMT WITH EMBSTP PKG -LEAD FREE-			
	0.5 OVER	1.0 UNDER	±0.1	CHECKED BY	DATE	molex DOCUMENT NO. SD-52207-065 SHEET NO. 5 OF 5			
	1.0 OVER	10 UNDER	±0.2	K.TOYODA	2005/03/03				
10 OVER	30 UNDER	±0.25	APPROVED BY	DATE	SEE CHART				
30 OVER		±0.3	N.UKITA	2005/03/03	THIS DRAWING CONTAINS INFORMATION THAT IS PROPRIETARY TO MOLEX ELECTRONIC TECHNOLOGIES, LLC AND SHOULD NOT BE USED WITHOUT WRITTEN PERMISSION				
ANGULAR	±1 °		MATERIAL NO.						
DRAFT WHERE APPLICABLE MUST REMAIN WITHIN DIMENSIONS			SIZE A3						