

1

2

3

4

5

6

7

A

A

B

B

C

C

D

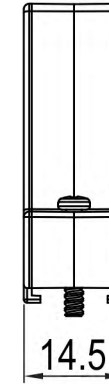
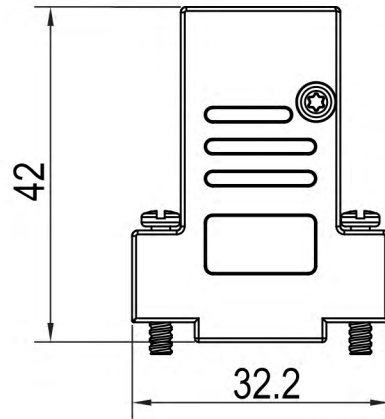
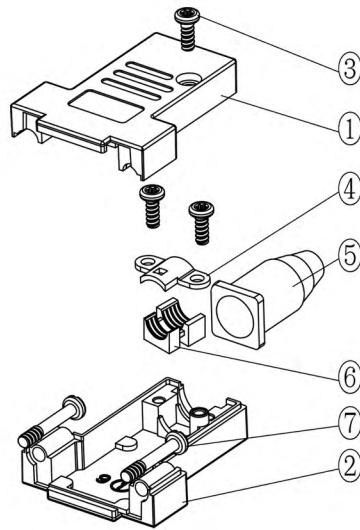
D

E

E

F

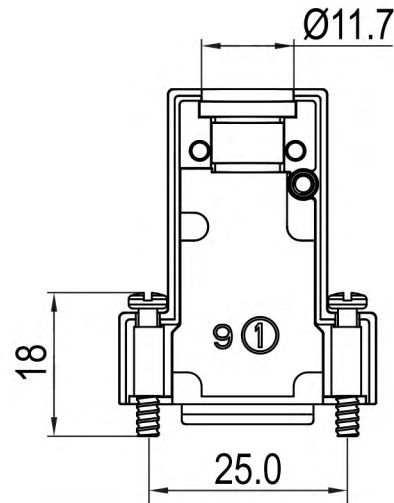
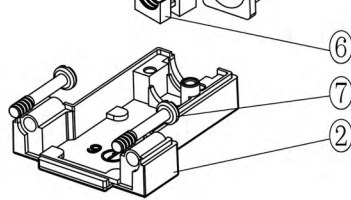
F



TECHNICAL SPECIFICATIONS


Material: Zinc
 Plating: Nickel
 Operating Temperature: -25°C to +90°C
 Jackscrews: M2.5

No. of contacts: 09-15-25-37



| Item | QTY | Part description |
|------|-----|-------------------|
| 1 | 1 | Upper Cover |
| 2 | 1 | Lower Cover |
| 3 | 3 | TX M2.5x6 Screw |
| 4 | 1 | Cable Clamp |
| 5 | 1 | Rubber Grommet |
| 6 | 1 | Plastic Insert |
| 7 | 2 | Jackscrew M2.5x18 |

RoHS compliant
 Unit: mm

| Scale | Free | | | | | Date | Name | Customer-No. |
|-----------|-------|-----|--------------|------------|-----------|---|------------|--------------|
| TOLERANCE | | | | | | Drawn | 17.08.2017 | S.Bölling |
| 0~6 | ±0.10 | | | | | Approved | 17.08.2017 | S.Bölling |
| 6~30 | ±0.20 | | | | | | | |
| 30~120 | ±0.30 | | | | | | | |
| 120~400 | ±0.50 | | | | | | | |
| DIM | Tol | | | | | | | |
| Angle | ±1° | Ⓢ | Drawn | 17.08.2017 | S.Bölling |  | | |
| Angle | Tol | Id. | Modification | Date | Name | | | |

Customer-No.
 ASSMANN WSW-No.
ACOV-SUB-09MB32

Drawing-No.
ASS_5273_CO rev00
 Replace
 Sheet 1/4

G

G

H

H

1

2

3

4

5

6

7

SV4382

1

2

3

4

5

6

7

A

B

C

D

E

F

A

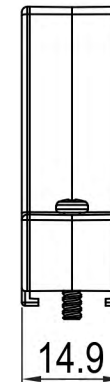
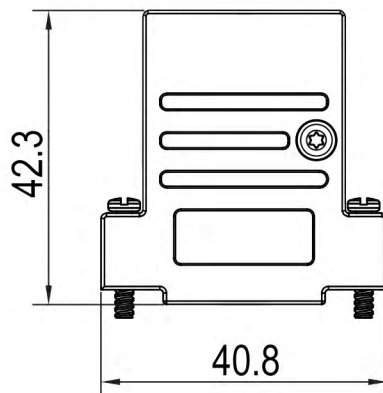
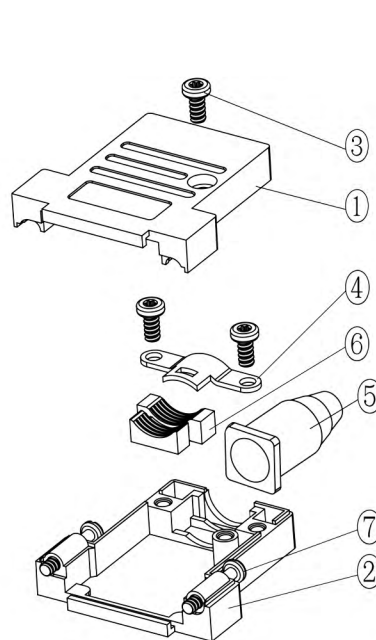
B

C

D

E

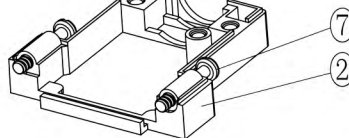
F



TECHNICAL SPECIFICATIONS

Material: Zinc
 Plating: Nickel
 Operating Temperature: -25°C to +90°C
 Jackscrews: M2.5

No. of contacts: 09-15-25-37



| Item | QTY | Part description |
|------|-----|-------------------|
| 1 | 1 | Upper Cover |
| 2 | 1 | Lower Cover |
| 3 | 3 | M2.5x6 Screw |
| 4 | 1 | Cable Clamp |
| 5 | 1 | Rubber Grommet |
| 6 | 1 | Plastic Insert |
| 7 | 2 | Jackscrew M2.5x18 |

RoHS compliant
 Unit: mm

| Scale | Free | | | | Date | Name | Customer-No. | |
|-----------|-------|-----|--------------|------------|----------|------------|--------------|-----------|
| TOLERANCE | | | | | Drawn | 17.08.2017 | S.Bölling | |
| 0~6 | ±0.10 | | | | Approved | 17.08.2017 | S.Bölling | |
| 6~30 | ±0.20 | | | | | | | |
| 30~120 | ±0.30 | | | | | | | |
| 120~400 | ±0.50 | | | | | | | |
| DIM | Tol | | | | | | | |
| Angle | ±1° | © | Drawn | 17.08.2017 | | | | S.Bölling |
| Angle | Tol | Id. | Modification | Date | | | | Name |

ASSMANN WSW-No.
ACOV-SUB-15MB32

Drawing-No.
ASS_5273_CO rev00
 Replace Sheet 2/4

1

2

3

4

5

6

7

1

2

3

4

5

6

7

A

B

C

D

E

F

A

B

C

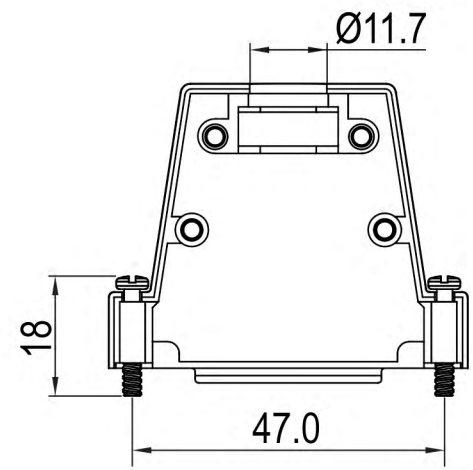
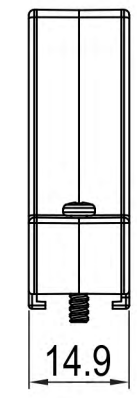
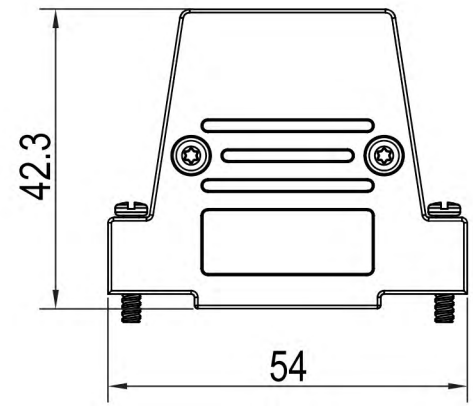
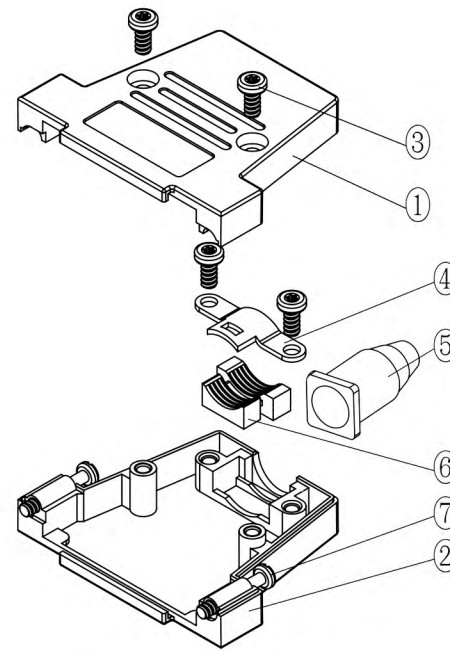
D

E

F

G

H



TECHNICAL SPECIFICATIONS

Material: Zinc
 Plating: Nickel
 Operating Temperature: -25°C to +90°C
 Jackscrews: M2.5

No. of contacts: 09-15-25-37

| Item | QTY | Part description |
|------|-----|-------------------|
| 1 | 1 | Upper Cover |
| 2 | 1 | Lower Cover |
| 3 | 4 | M2.5x6 Screw |
| 4 | 1 | Cable Clamp |
| 5 | 1 | Rubber Grommet |
| 6 | 1 | Plastic Insert |
| 7 | 2 | Jackscrew M2.5x18 |

RoHS compliant
 Unit: mm

| Scale | Free | | | | Date | Name | Customer-No. |
|-----------|-------|-----|--------------|------------|-----------|---|--|
| TOLERANCE | | | | | Drawn | 17.08.2017 | S.Bölling |
| 0~6 | ±0.10 | | | | Approved | 17.08.2017 | S.Bölling |
| 6~30 | ±0.20 | | | | | | |
| 30~120 | ±0.30 | | | | | | |
| 120~400 | ±0.50 | | | | | | |
| DIM | Tol | | | | | | |
| Angle | ±1° | © | Drawn | 17.08.2017 | S.Bölling | ASSMANN WSW-No. ACOV-SUB-25MB32 | |
| Angle | Tol | Id. | Modification | Date | Name | ASSMANN WSW components | Drawing-No. ASS_5273_CO rev00 |
| | | | | | | Replace | Sheet 3/4 |

1

2

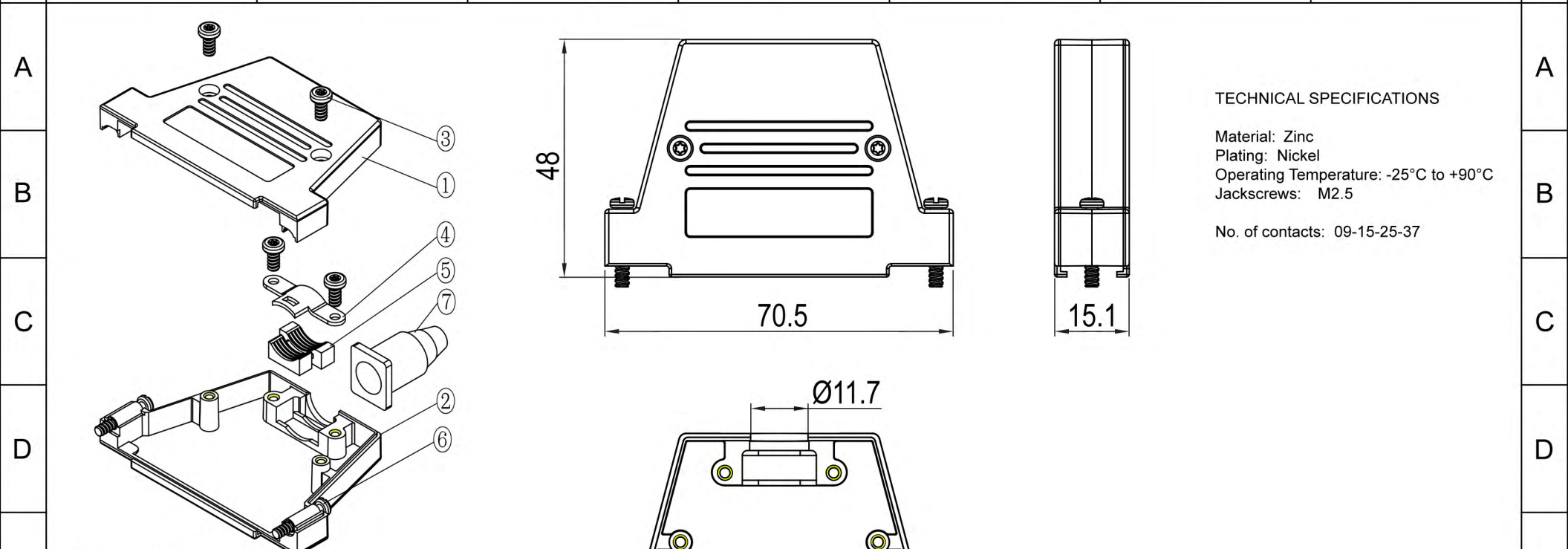
3

4

5

6

7




TECHNICAL SPECIFICATIONS

Material: Zinc
 Plating: Nickel
 Operating Temperature: -25°C to +90°C
 Jackscrews: M2.5

 No. of contacts: 09-15-25-37

| Item | QTY | Part description |
|------|-----|-------------------|
| 1 | 1 | Upper Cover |
| 2 | 1 | Lower Cover |
| 3 | 4 | M2.5x6 Screw |
| 4 | 1 | Cable Clamp |
| 5 | 1 | Plastic Insert |
| 6 | 2 | Jackscrew M2.5x18 |
| 7 | 1 | Rubber Grommet |

RoHS compliant
 Unit: mm

| Scale | Free | | | | | Date | Name | Customer-No. |
|-----------|-------|-----|--------------|------------|-----------|---|------------|--------------|
| TOLERANCE | | | | | | Drawn | 17.08.2017 | S.Bölling |
| 0~6 | ±0.10 | | | | | Approved | 17.08.2017 | S.Bölling |
| 6~30 | ±0.20 | | | | | | | |
| 30~120 | ±0.30 | | | | | | | |
| 120~400 | ±0.50 | | | | | | | |
| DIM | Tol | | | | | | | |
| Angle | ±1° | © | Drawn | 17.08.2017 | S.Bölling |  | | |
| Angle | Tol | Id. | Modification | Date | Name | | | |

| | | |
|-----------------|-------|-----------------|
| Customer-No. | | |
| ASSMANN WSW-No. | | ACOV-SUB-37MB32 |
| Drawing-No. | | ASS_5273_CO |
| Replace | rev00 | Sheet 4/4 |