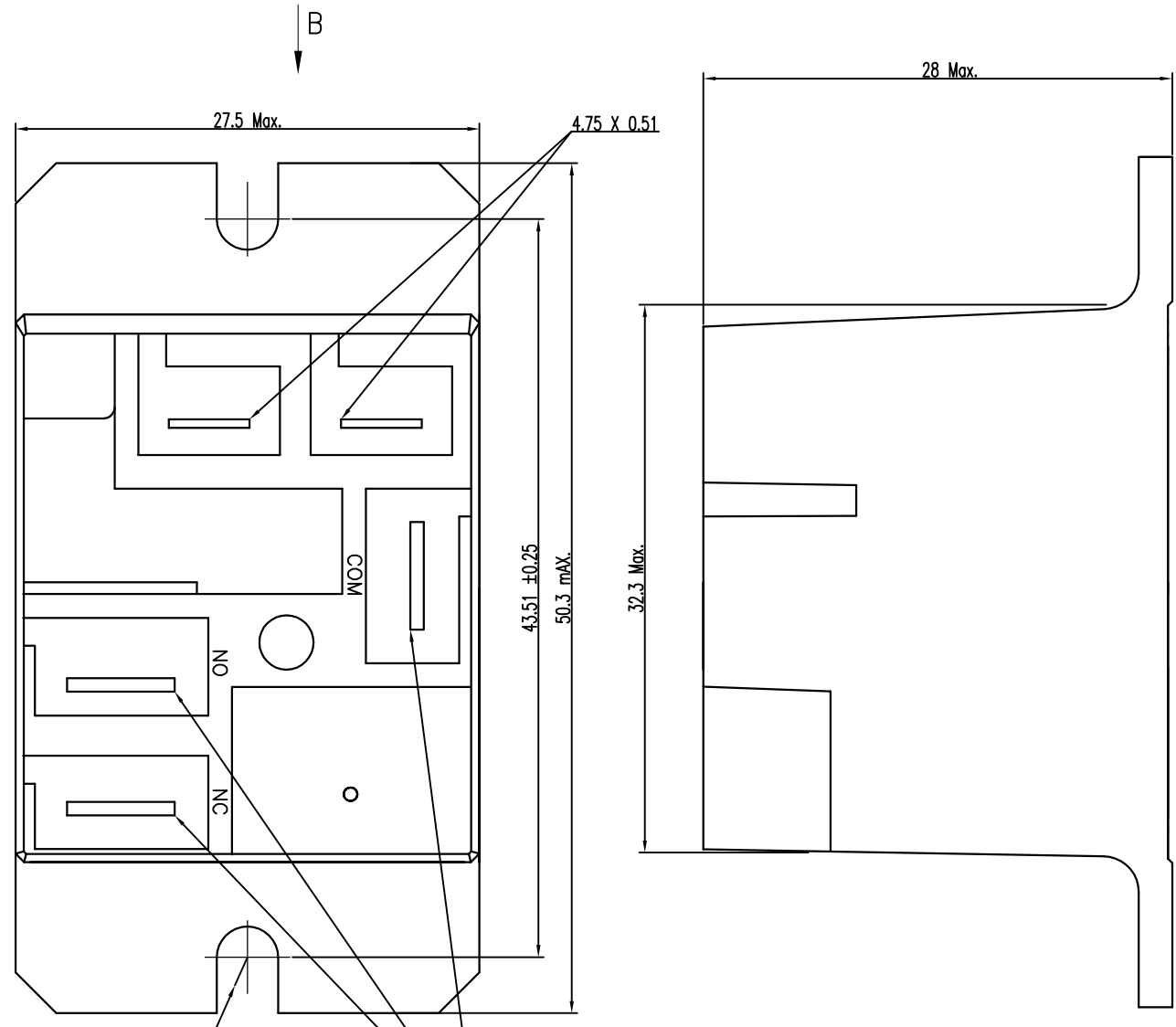


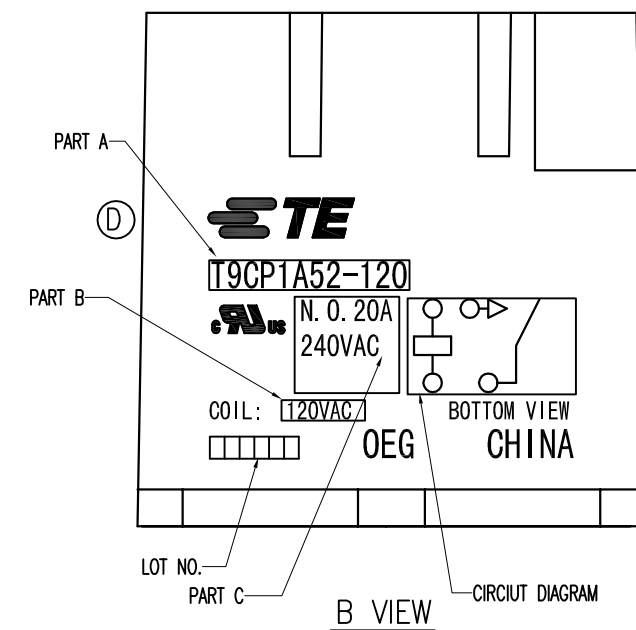
THIS DRAWING IS UNPUBLISHED. RELEASED FOR PUBLICATION
 © COPYRIGHT - By - ALL RIGHTS RESERVED.

LOC	DIST	REVISIONS					
P	LTR	DESCRIPTION	DATE	DWN	APVD		
HB	-	B6	REMOVE CONTACT FIGURE	ECO-07-014825	22-JUN-07	Y.ZX	Y.BH
		C	CHANGE TE LOGO	ECO-08-020492	22-SEP-08	SZ,Z	BH,Y
		D	CHANGE TE LOGO OBSOLETE FG PNs	ECO-12-005760 ECO-12-012545	23-AUG-12	HL,C	BH,Y



CONTACT FORM	PART C	CIRCUIT DIAGRAM
FORM A	N.O. 20A 240VAC	
FORM C	N.O. 20A N.C. 10A 240VAC	
FORM B	N.C. 10A 240VAC	

FORM	ITEM	PART NO	TE TYPE NAME	PART A	PART B
FORM B	W	2-1649341-5	T9CP2A54-120	T9CP2A54-120	120VAC
FORM B	V	2-1649341-4	T9CP2A54-240	T9CP2A54-240	240VAC
	U	2-1649341-1	T9CP1A54-120-01	T9CP1A54-120	120VAC
FORM C	T	2-1649341-0	T9CP5A54-240	T9CP5A54-240	240VAC
FORM C	S	1-1649341-9	T9CP5A54-120	T9CP5A54-120	120VAC
FORM C	R	1-1649341-8	T9CP5A54-48	T9CP5A54-48	48VAC
FORM C	Q	1-1649341-7	T9CP5A54-24	T9CP5A54-24	24VAC
FORM C	P	1-1649341-6	T9CP5A54-12	T9CP5A54-12	12VAC
FORM C	O	1-1649341-5	T9CP5A52-240	T9CP5A52-240	240VAC
FORM C	N	1-1649341-4	T9CP5A52-120	T9CP5A52-120	120VAC
FORM C	M	1-1649341-3	T9CP5A52-48	T9CP5A52-48	48VAC
FORM C	L	1-1649341-2	T9CP5A52-24	T9CP5A52-24	24VAC
FORM C	K	1-1649341-1	T9CP5A52-12	T9CP5A52-12	12VAC
FORM A	J	1649341-2	T9CP1A54-240	T9CP1A54-240	240VAC
FORM A	I	1-1649341-0	T9CP1A54-120	T9CP1A54-120	120VAC
FORM A	H	1649341-9	T9CP1A54-48	T9CP1A54-48	48VAC
FORM A	G	1649341-8	T9CP1A54-24	T9CP1A54-24	24VAC
FORM A	F	1649341-7	T9CP1A54-12	T9CP1A54-12	12VAC
FORM A	E	1649341-6	T9CP1A52-240	T9CP1A52-240	240VAC
FORM A	D	1649341-5	T9CP1A52-120	T9CP1A52-120	120VAC
FORM A	C	1649341-4	T9CP1A52-48	T9CP1A52-48	48VAC
FORM A	B	1649341-1	T9CP1A52-24	T9CP1A52-24	24VAC
FORM A	A	1649341-3	T9CP1A52-12	T9CP1A52-12	12VAC



NOTE:
 1. LOT NO. DESCRIPTION:
 06212R
 REWORK RECORD
 WEEKDAY (1 = MONDAY ...7 = SUNDAY)
 WEEK
 YEAR

Diagram dimension	Tolerance
0.99mm max.	±0.1mm
1 - 2.99mm	±0.2mm
3mm min.	±0.3mm

THIS DRAWING IS A CONTROLLED DOCUMENT.

DIMENSIONS: mm	TOLERANCES UNLESS OTHERWISE SPECIFIED:	DWN	XN.ZHANG
	0 PLC ± - 1 PLC ± - 2 PLC ± - 3 PLC ± - 4 PLC ± - ANGLES ± -	CHK	ANTHONY.YIP
MATERIAL	FINISH	APVD	CH.HSU
-	-	PRODUCT SPEC	-
		APPLICATION SPEC	-
		WEIGHT	-
		CUSTOMER DRAWING	

TE Connectivity

T9C AC TYPE CUSTOMER DRAWING

SIZE: A3 CAGE CODE: 00779 DRAWING NO: 1649341 RESTRICTED TO: -

SCALE: 5:2 SHEET: 1 of 1 REV: D