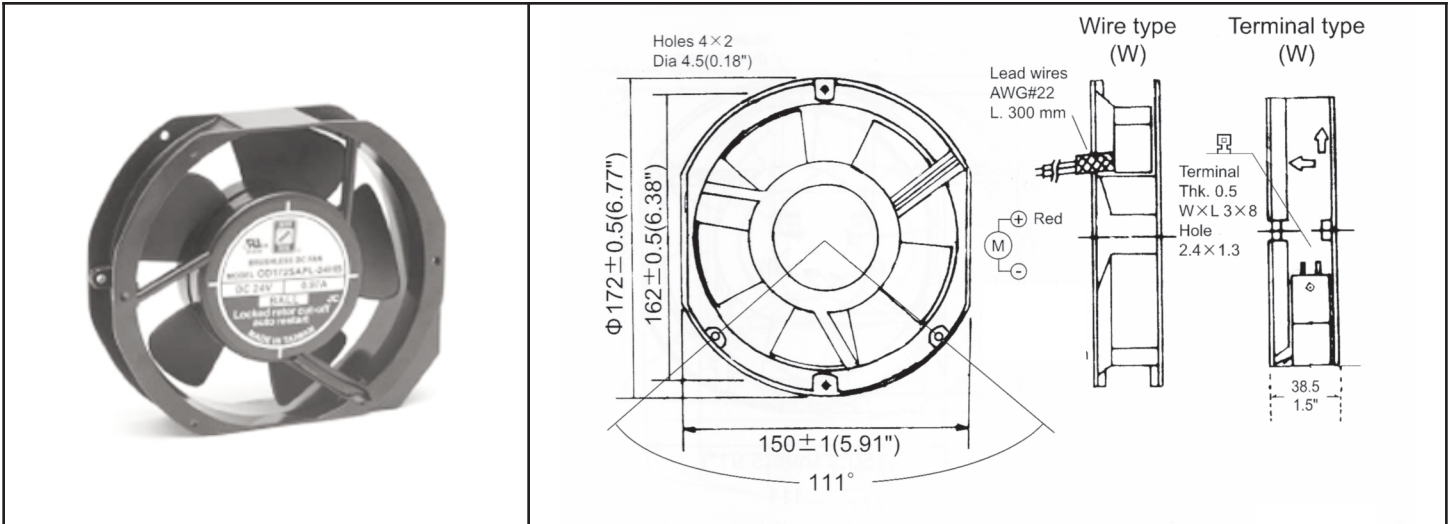


# OD172SAPL Series



DC Fan - 12, 24, 48V  
172x150x38mm (6.7"x 5.9"x 1.5")



<b>Frame</b>	Diecast Aluminum	<b>Available Options:</b> Tachometer Alarm Thermistor Speed Control PWM Speed Control Constant Speed  <u>Life Expectancy (L10)</u> Ball - 60,000 hrs (45C)  <u>Operating Temperature</u> Ball: -20C ~ +75C  Weight: ~1.7 lbs  m0	
<b>Impeller</b>	PBT, UL94V-0 plastic		
<b>Connection</b>	2x Lead wires, AWG22 or terminals		
<b>Motor</b>	Brushless DC, auto restart, polarity protected		
<b>Bearing System</b>	Dual ball bearing		
<b>Insulation Resistance</b>	10M ohm between leadwire and frame (500VDC)		
<b>Dielectric Strength</b>	1 minute at 500 VAC, max leakage < 500 MicroAmp		
<b>Storage Temperature</b>	-40C ~ +80C		

Model Number	Speed (RPM)	Airflow (CFM)	Noise (dB)	Volts DC	Voltage Range	Amps	Max. Static Pressure ("H <sub>2</sub> O)
OD172SAPL-12H *	4000	225	55	12	7~14	1.99	0.73
OD172SAPL-12M *	3300	190	45	12	7~14	1.10	0.51
OD172SAPL-12L *	2000	120	40	12	7~14	0.45	0.35
OD172SAPL-24H *	4000	225	55	24	15~27	0.97	0.73
OD172SAPL-24M *	2800	190	45	24	15~27	0.52	0.51
OD172SAPL-24L *	2000	120	40	24	15~27	0.20	0.35
OD172SAPL-48H *	4000	225	55	48	28~53	0.48	0.73
OD172SAPL-48M *	2800	190	45	48	28~53	0.30	0.51
OD172SAPL-48L *	2000	120	40	48	28~53	0.12	0.35

\* Indicate "B" for wire leads or "TB" for Terminals