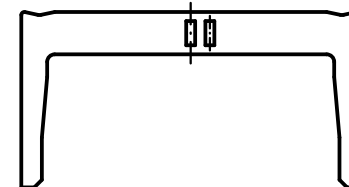
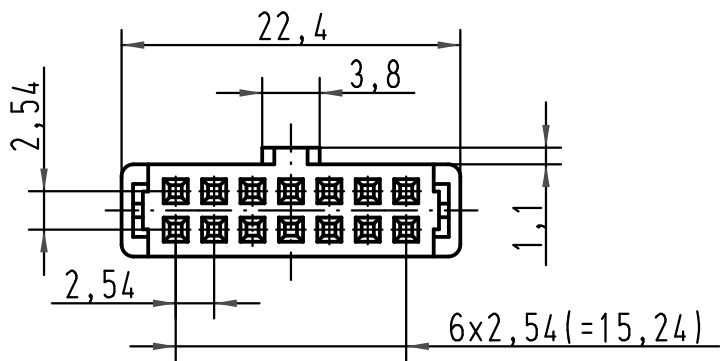
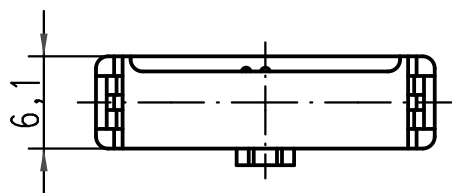
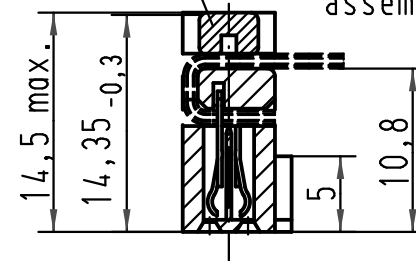
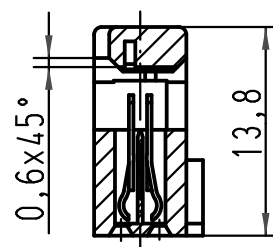
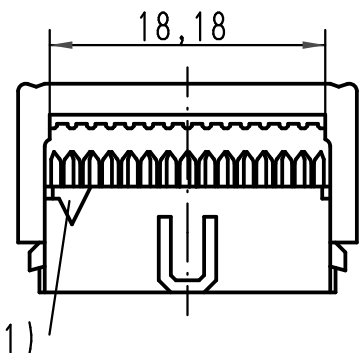


5 4 3 2 1



vorverrastet
pre assembled
preassemble

strain relief verrastet
fitted
assemble



- 1) Markierung erster Kontakt, Ader 1 des Flachkabels
- 1) Contact no.1, 1st wire of flat cable
- 1) Contact no.1, repère 1 du câble

A	09 18 514 5813 58U	0,76 μm Au	Bulk packaging MOQ = 2500 pcs	All Dimensions in mm Original Size DIN A 4	Techn. Character.			Nicht tolerierte Maßel Free size tolerances	
	09 18 514 6813 58U	2							SEK 18 Female connector 14 poles with central polarisation without cable stop with strain relief
	09 18 514 7813 58U	3							
	09 18 514 5813	0,76 μm Au	N.A.				2:1		
	09 18 514 6813	2	N.A.						
09 18 514 7813	3	N.A.							
	Bestell-Nr. Part-No. Reference	Anforderungsstufe performance level Niveau de qualite	Index Designation	36265 30-SEP-11 BH 26570 01-FEB-00 JB Mod. Dat. Name	HARTING EURL F-95972 Paris 			TB 0918514X813	Blatt/ page 1/1