

1

2

3

4

5

6

7

A

A

B

B

C

C

D

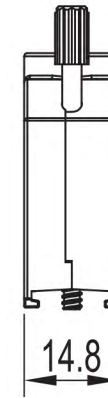
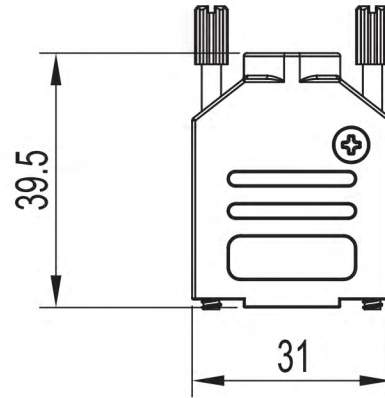
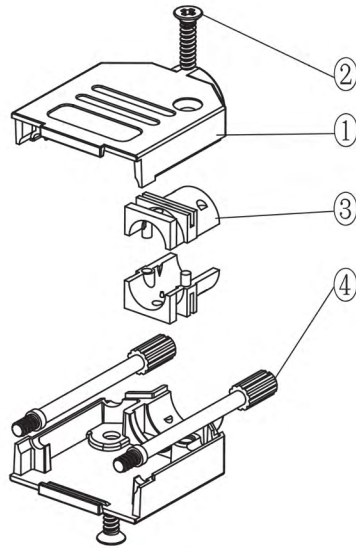
D

E

E

F

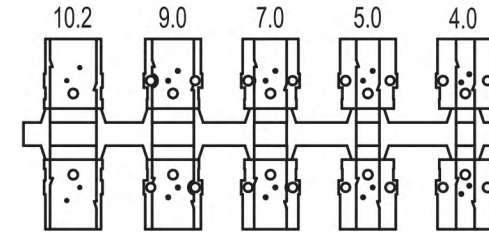
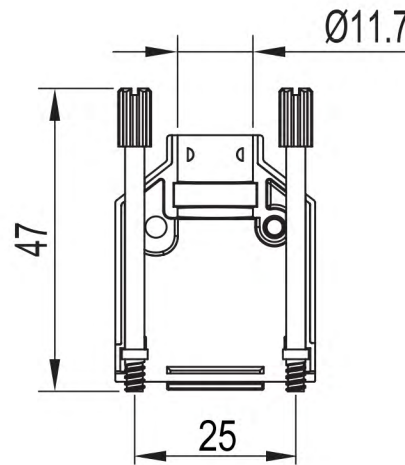
F



TECHNICAL SPECIFICATIONS

Material: Zinc
 Surface/Colour: Black
 Operating Temperature: -40°C to +120°C
 Thumbscrews: UNC 4-40

No. of contacts: 09-15-25-37



Grommet Set

| Item | QTY | Part description |
|------|-----|----------------------------|
| 1 | 2 | Hood halves |
| 2 | 2 | M3x12 CSK Screw |
| 3 | 1 | Grommet Set |
| 4 | 2 | Thumbscrews UNC4-40 x 47mm |

RoHS compliant
 Unit: mm

| Scale | Free | | | | Date | Name | Customer-No. |
|-----------|-------|---------|--------------|-----------|----------|------------|--------------|
| TOLERANCE | | | | | Drawn | 17.08.2017 | S.Bölling |
| 0~6 | ±0.10 | | | | Approved | 17.08.2017 | S.Bölling |
| 6~30 | ±0.20 | | | | | | |
| 30~120 | ±0.30 | | | | | | |
| 120~400 | ±0.50 | | | | | | |
| DIM | Tol | | | | | | |
| Angle | ±1° | © Drawn | 17.08.2017 | S.Bölling | | | |
| Angle | Tol | Id. | Modification | Date | | | |

Customer-No.
 ASSMANN WSW-No.
ACOV-SUB-09MB24

Drawing-No.
ASS_5265_CO rev00
 Replace
 Sheet 1/4

1

2

3

4

5

6

7

SV4382

1

2

3

4

5

6

7

A

A

B

B

C

C

D

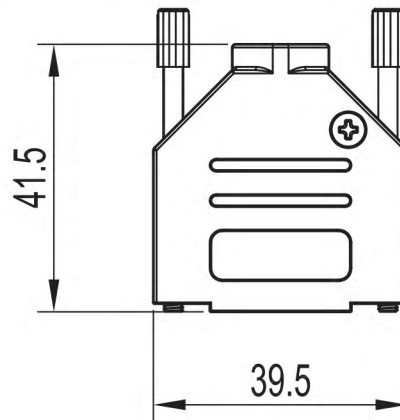
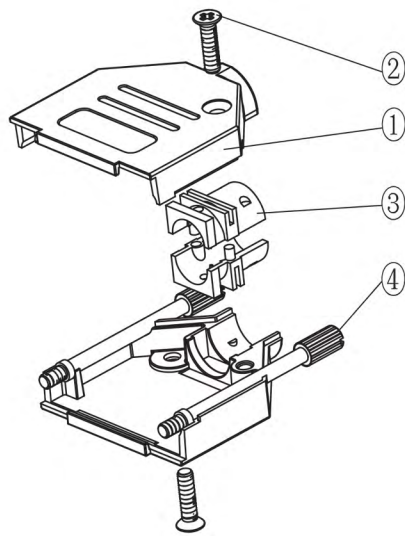
D

E

E

F

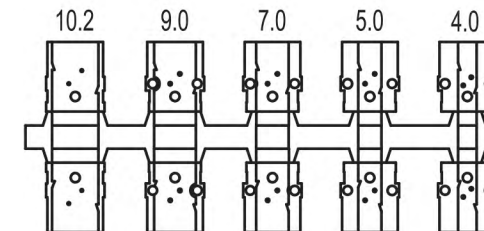
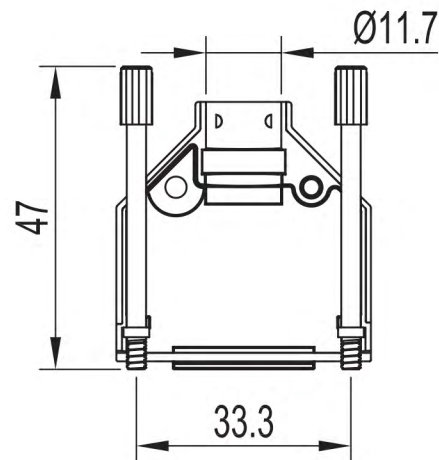
F



TECHNICAL SPECIFICATIONS

Material: Zinc
 Surface/Colour: Black
 Operating Temperature: -40°C to +120°C
 Thumbscrews: UNC 4-40

No. of contacts: 09-15-25-37



Grommet Set

| Item | QTY | Part description |
|------|-----|----------------------------|
| 1 | 2 | Hood halves |
| 2 | 2 | M3x12 CSK CSK Screw |
| 3 | 1 | Grommet Set |
| 4 | 2 | Thumbscrews UNC4-40 x 47mm |

RoHS compliant
 Unit: mm

| Scale | Free | | | | Date | Name | Customer-No. |
|-----------|-------|-----|--------------|------------|-----------|------------|--------------|
| TOLERANCE | | | | | Drawn | 17.08.2017 | S.Bölling |
| 0~6 | ±0.10 | | | | Approved | 17.08.2017 | S.Bölling |
| 6~30 | ±0.20 | | | | | | |
| 30~120 | ±0.30 | | | | | | |
| 120~400 | ±0.50 | | | | | | |
| DIM | Tol | | | | | | |
| Angle | ±1° | © | Drawn | 17.08.2017 | S.Bölling | | |
| Angle | Tol | Id. | Modification | Date | Name | | |

ASSMANN
 WSW components

Customer-No.
 ASSMANN WSW-No.
ACOV-SUB-15MB24

Drawing-No.
ASS_5265_CO rev00
 Replace
 Sheet 2/4

1

2

3

4

5

6

7

SV4382

1

2

3

4

5

6

7

A

B

C

D

E

F

G

H

A

B

C

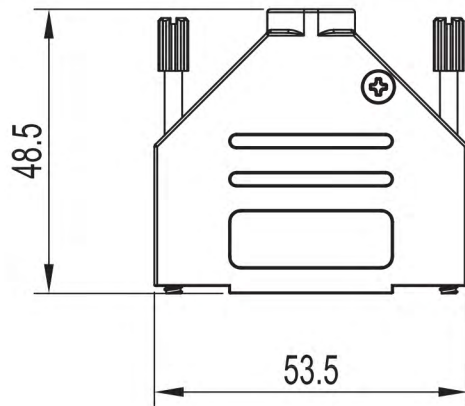
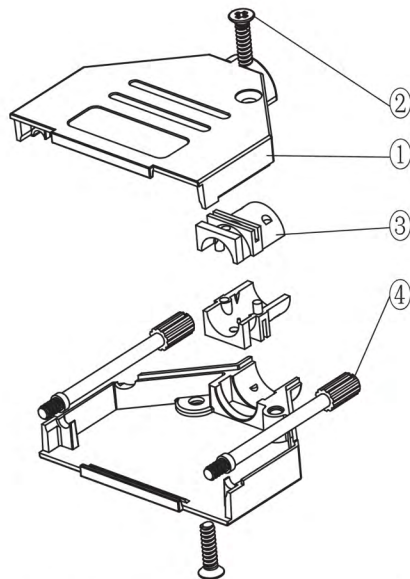
D

E

F

G

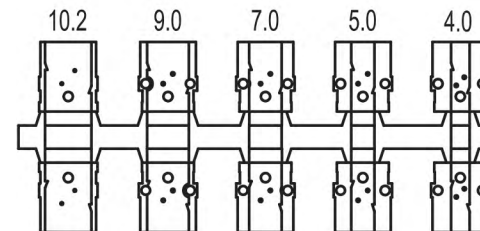
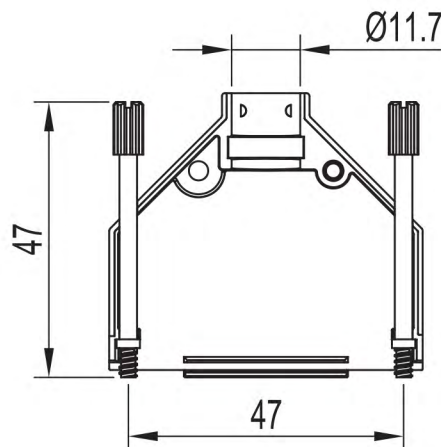
H



TECHNICAL SPECIFICATIONS

Material: Zinc
 Surface/Colour: Black
 Operating Temperature: -40°C to +120°C
 Thumbscrews: UNC 4-40

No. of contacts: 09-15-25-37



Grommet Set

| Item | QTY | Part description |
|------|-----|----------------------------|
| 1 | 2 | Hood halves |
| 2 | 2 | M3x12 CSK Screw |
| 3 | 1 | Grommet Set |
| 4 | 2 | Thumbscrews UNC4-40 x 47mm |

RoHS compliant

Unit: mm

| Scale | Free | | | | | | Date | Name | Customer-No. | |
|-----------|-------|-----|--------------|--|--|----------|------------|------------|--------------------|---|
| TOLERANCE | | | | | | | Drawn | 17.08.2017 | S.Bölling | ASSMANN WSW-No. ACOV-SUB-25MB24 |
| 0~6 | ±0.10 | | | | | Approved | 17.08.2017 | S.Bölling | | |
| 6~30 | ±0.20 | | | | | | | | | |
| 30~120 | ±0.30 | | | | | | | | | |
| 120~400 | ±0.50 | | | | | | | | Drawing-No. | |
| DIM | Tol | | | | | | | | ASS_5265_CO | rev00 |
| Angle | ±1° | © | Drawn | | | | 17.08.2017 | S.Bölling | Replace | Sheet 3/4 |
| Angle | Tol | Id. | Modification | | | | Date | Name | | |



1

2

3

4

5

6

7

1

2

3

4

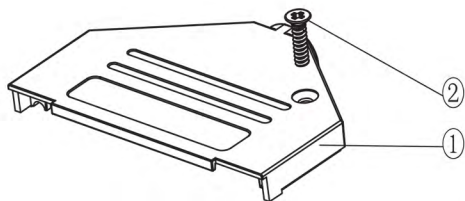
5

6

7

A

A



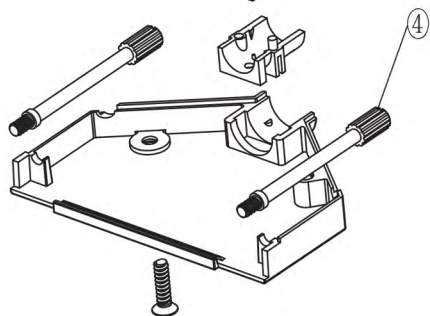
B

B



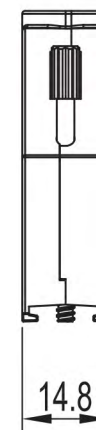
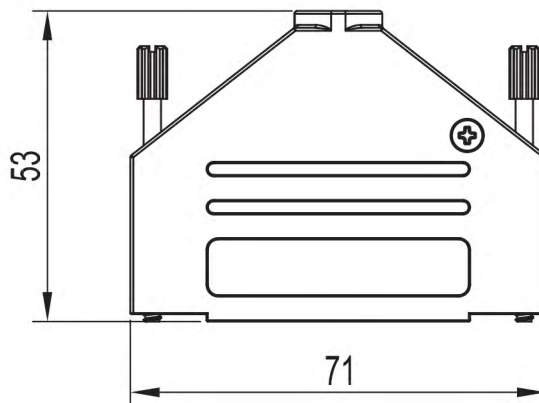
C

C



D

D



TECHNICAL SPECIFICATIONS

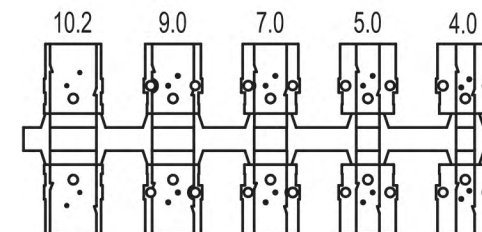
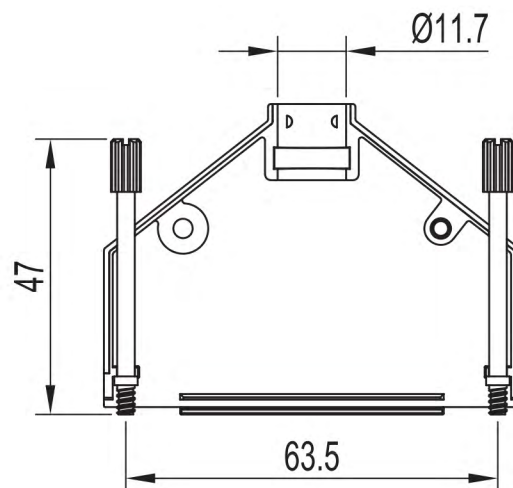
Material: Zinc
 Surface/Colour: Black
 Operating Temperature: -40°C to +120°C
 Thumbscrews: UNC 4-40

No. of contacts: 09-15-25-37

E

E

| Item | QTY | Part description |
|------|-----|----------------------------|
| 1 | 2 | Hood halves |
| 2 | 2 | M3x12 CSK Screw |
| 3 | 1 | Grommet Set |
| 4 | 2 | Thumbscrews UNC4-40 x 47mm |



Grommet Set

F

F

RoHS compliant
 Unit: mm

| Scale | Free | | | | | | Date | Name | Customer-No. | |
|-----------|-------|-----|--------------|--|--|--|------------|------------|--------------|---|
| TOLERANCE | | | | | | | Drawn | 17.08.2017 | S.Bölling | ASSMANN WSW-No. ACOV-SUB-37MB24 |
| 0~6 | ±0.10 | | | | | | Approved | 17.08.2017 | S.Bölling | |
| 6~30 | ±0.20 | | | | | | | | | |
| 30~120 | ±0.30 | | | | | | | | | |
| 120~400 | ±0.50 | | | | | | | | | Drawing-No. |
| DIM | Tol | | | | | | | | | ASS_5265_CO |
| Angle | ±1° | © | Drawn | | | | 17.08.2017 | S.Bölling | | rev00 |
| Angle | Tol | Id. | Modification | | | | | | | Sheet 4/4 |

ASSMANN
 WSW components

Drawing-No.

ASS_5265_CO

Replace

rev00

Sheet 4/4

G

G

H

H

1

2

3

4

5

6

7

SV4382