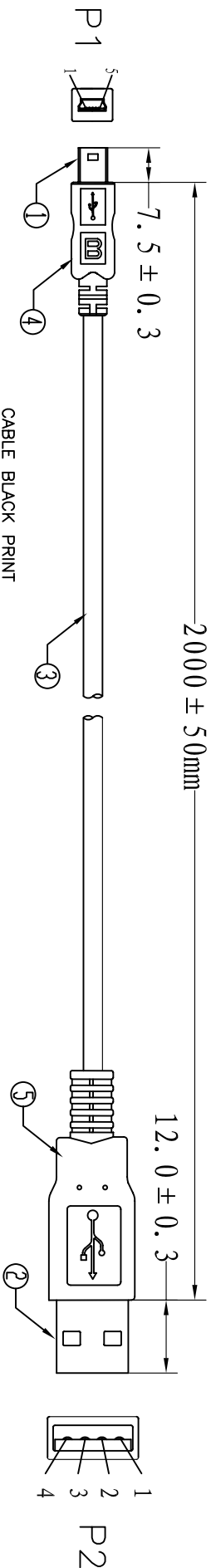
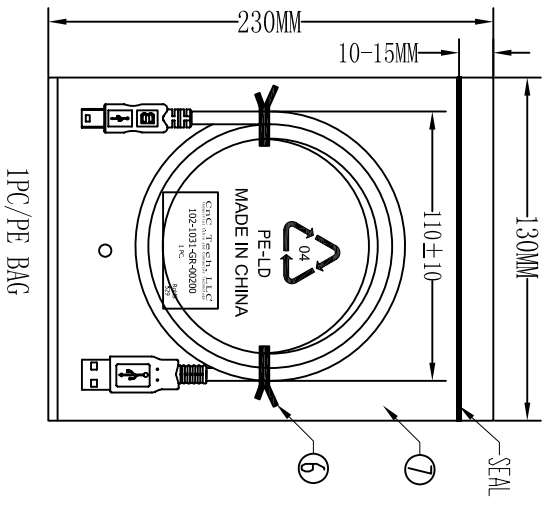
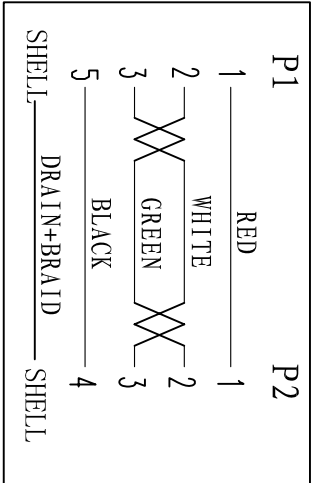


UNIT:mm



CABLE BLACK PRINT
 HI-SPEED USB Revision 2.0 SHIELDED 28AWG/1P+28AWG/2C
 E189529 AWL AWM STYLE 2725 80°C 30V VW-1 VEGA TECH

PIN ASSIGNMENT:



Electrical test:
 1. 100% short, open, miswire test
 2. Conduct resistance: 2 Ohm(max)
 3. Insulation resistance: 10Mohm(min)
 4. dielectric test: DC 300V

⑧	PE BAG	1/10	CLEAR SIZE: 280*330*0.05mm PRINT BLACK"MADE IN CHINA"+"10PCS".
⑦	PE BAG	1	CLEAR SIZE: 130*230*0.05mm PRINT BLACK"MADE IN CHINA"+"1PC"
⑥	TIE	2	WHITE L=100mm
⑤	OUT JACKET	6g	GREY(A-112#) PVC-40P (MOULD NO:WM-40)
④	OUT JACKET	6g	GREY(A-112#) PVC-40P (MOULD NO:WM-88)
③	CABLE	1	GREY(A-112#) USB2.0 UL2725 28#/1P+28#/2C+AEB OD:3.8mm L=2000±15
②	CONN	1set	USB2.0 A MALE SHELL:NICKEL PIN:G/F 4PCS TYPE INSULATOR COLOR:WHITE
①	CONN	1set	USB2.0 MINI 5P MALE SHELL:NICKEL PIN:G/F 3PCS INSULATOR COLOR:BLACK
NO	NAME	Q'TY	SPECIFICATION

CNC Tech, LLC
 Industrial Cable and Connector Technology

DRAWN	ZHONGHS	DRAWING NO	
CHECKED		CUSTOMER	
APPROVAL		ITEM NO.	102-1031-GR-00200
DECIDED		DATE	2012-02-15
VERSIONS/EDITION	A/0	PROJECTION	

4

3

2

1

A

B

C

D

A

B

C

D