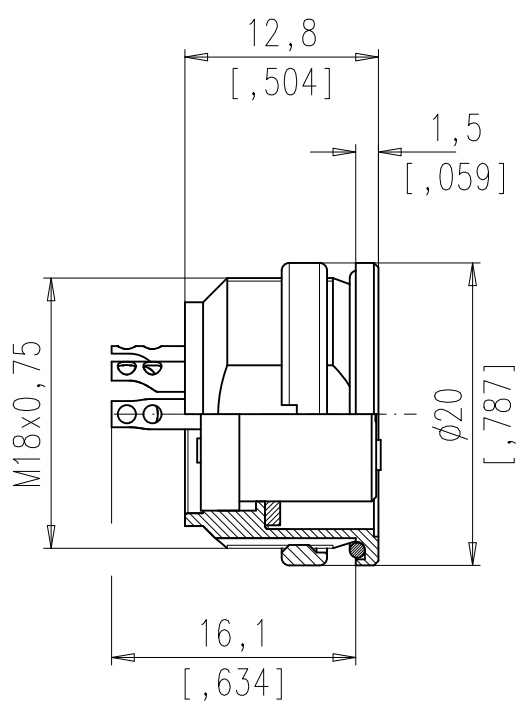
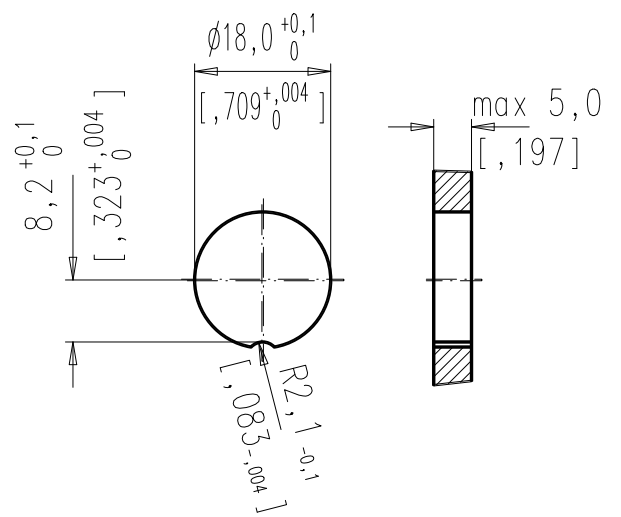


Copying of this document and giving it to others and the use or communication of the contents thereof, are forbidden without express authority. Offenders are liable to the payment of damages. All rights are reserved in the event of the grant of a patent or the registration of the utility model or design.

8                      7                      6                      5                      4                      3                      2                      1



**Montageausschnitt M 1:1  
Panel Cutout**



Dichtfläche eben und gratfrei.  
Sealing area must be flat and polished.

Polzahl number of contacts	Norm standard	3	4	5	5S	6	7	7S	8	12	14	
Kontaktanordnung nach DIN contact arrangement acc. to DIN		41 524		-	41 524	45 322	-	45 329	45 326	-	-	
Kontaktanordnung nach IEC contact arrangement acc. to IEC		60130-9	60130-9	-	60130-9	60130-9	-	60130-9	60130-9	-	-	
Bemessungsspannung rated voltage	IEC 60664-1	300V =			100V =	300V =			100V =	150V =		
Bemessungsspannung rated voltage	UL 1977	250V								60V		
Bemessungs-Stoßspannung rated impulse withstand voltage	IEC 60664-1	1500V			1200V	1500V			1200V			
Verschmutzungsgrad pollution degree	IEC 60664-1	1										
Überspannungskategorie installation category	IEC 60664-1	I										
Isolierstoffgruppe insulation group	IEC 60664-1	II, 400 ≤ CTI < 600										
Strombelastbarkeit current rating	IEC 60512-5-2 Test 5b UL 1977	5A / +40°C / +104°F							3A / +40°C / +104°F			
Isolationswiderstand insulation resistance	IEC 60512-3-1 Test 3a	>10 <sup>10</sup> Ω										
Durchgangswiderstand contact resistance	IEC 60512-2-1 Test 2a	< 5m Ω										
Prüfklasse climatic category	IEC 60668-1	40/100/56										
Temperaturbereich temperatur range		- 40°C ... +100°C - 40°F ... +212°F										
IP-Schutzart IP-degree	IEC 60529	IP 67 / IP 65										
Steck- und Ziehkraft insertion and withdrawal force	IEC 60512-13-2 Test 13b	25 N	30 N	35 N	50 N	55 N	60 N	50 N				
Mechanische Lebensdauer mechanical operation	IEC 60512 Test 9a	silber/silver ≥ 500 Steckzyklen/mating cycles gold/gold ≥ 1000 Steckzyklen/mating cycles										
Werkstoff Gehäuse housing material		die cast, nickel plated										
Werkstoff Kontaktträger dielectric material		Thermoplast thermoplastic										
Werkstoff Dichtung sealing material		Neoprene neoprene										
Kontaktoberfläche contact plating		versilbert/vergoldet * silver plated/gold/plated										
Anschlussstechnik termination technique		löten solder										
Anschlussquerschnitt wire gauge		löten ≤ 0,5 mm <sup>2</sup> solder ≤ 0,5 mm <sup>2</sup>							≥ 0,25 mm <sup>2</sup>			
Brennbarkeit flammability		UL 94 V0										
Verriegelung locking system	IEC 60130-9	schrauben; Anzugsmoment 0,5-0,7 Nm metal screw coupling; tightening torque 0,5-0,7 Nm										

	14	C091 31N014 100 2 U	C091 31N014 200 2 U
	12	C091 31N012 100 2 U	C091 31N012 200 2 U
	8 IEC	C091 31N008 100 2 U	C091 31N008 200 2 U
	7 IEC	C091 31N107 100 2 U	C091 31N107 200 2 U
	7	C091 31N007 100 2 U	C091 31N007 200 2 U
	6	C091 31N006 100 2 U	C091 31N006 200 2 U
	5	C091 31N005 100 2 U	C091 31N005 200 2 U
	5 IEC	C091 31N105 100 2 U	C091 31N105 200 2 U
	4	C091 31N004 100 2 U	C091 31N004 200 2 U
	3	C091 31N003 100 2 U	C091 31N003 200 2 U
SYMBOL symbol	POLZAHL number of contacts	TYP-NUMMER-Ag type-number-Ag	TYP-NUMMER-Au type-number-Au

*Do not connect or disconnect under load. Metal housing parts shall be securely incorporated to protected ground.*

*All technical data have been measured in a laboratory environment and can be different during practical usage of the product. Any product information is for descriptive usage only and not legally binding; particularly the information does not constitute or provide any legal guaranties ("Beschaffenheitsgarantie" or "Haltbarkeitsgarantie")*

*Remark for gold plated contacts:  
In order to avoid brittle inter-metallic connections, gold-plated terminals have to be tin-plated in the solder area.*

*parts according to directive 2002/95/EG (RoHS)*

Gewicht (errechnet)/ Calc WT:	9	Zul. Abw./Tolerances:		Maßstab/Scale	2:1	A3	
Prüfmaß/Test dimension				CUSTOMER DRAWING			
Teileindex Part index number		13	Datum/Date	Name	Gerätedose female receptacle		
		Gez. Drawn	27.11.	Jerry			
		Gepr. Checked					
Amphenol-Tuchel Electronics GmbH		M		C091 31NXXX X00 2 U	Blatt/Sheet 1 1 Bl.		
01	201300841	06.12.13	JZ	Ers. f./Similar to:			
Index	Änderung/Description	Datum/Date	Name				

Weitergabe sowie Vervielfältigung dieser Unterlage, Verwertung und Mitteilung ihres Inhalts nicht gestattet, soweit nicht ausdrücklich zugestanden. Zuwiderhandlungen verpflichten zu Schadenersatz. Alle Rechte für den Fall der Patenterteilung oder Gebrauchsmuster-Eintragung vorbehalten.

8                      7                      6                      5