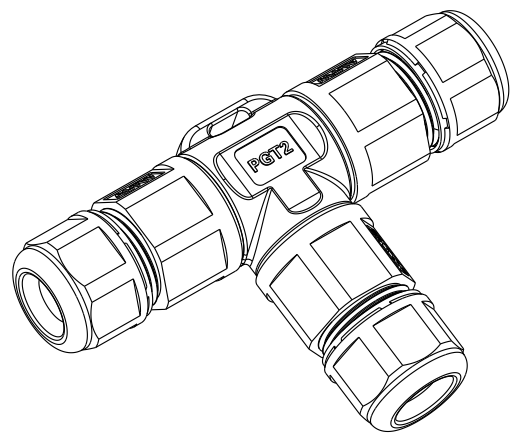
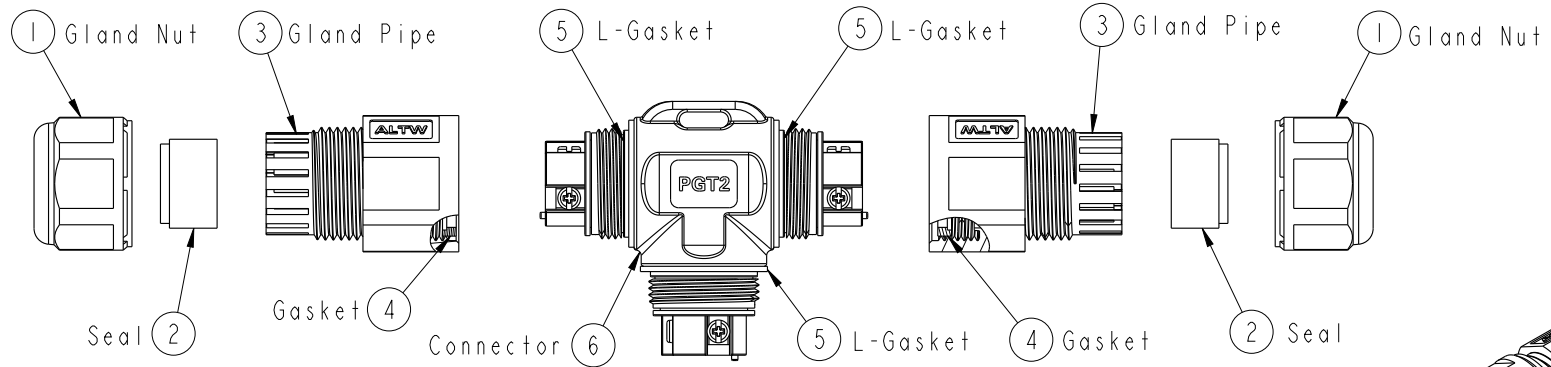
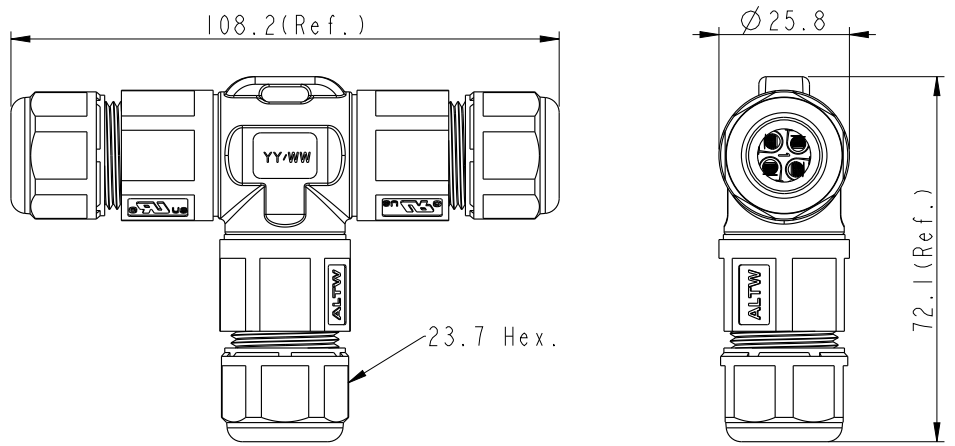
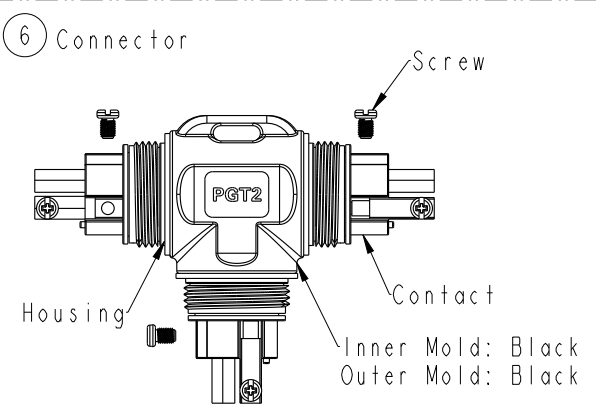
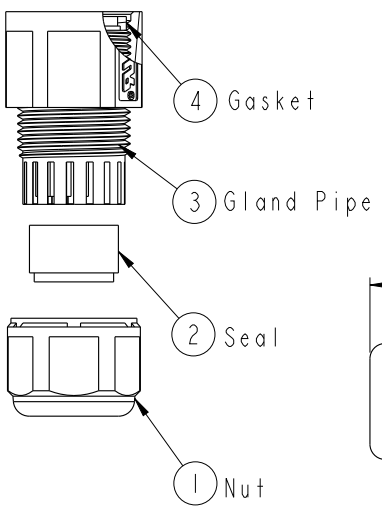


REV.	ECN NO.	DATE	SIGN	DESCRIPTION
A	Initial Release	2017/07/27	Lingpeng	New Item.
B	LEN17A0113-124	2017-10-14	Lingpeng	Add The Label And Change The Title



ALTW
 CONFIDENTIAL
 2017-10-14
 R&D DEPT.

ALTW
 DCC. DEPT.
 CONFIDENTIAL
 2017.10.25
 ISSUED



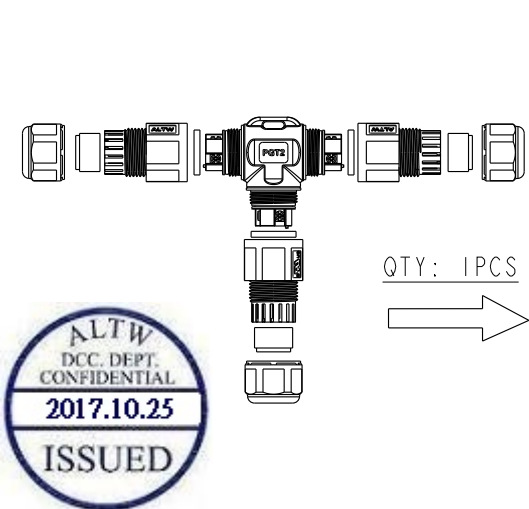
UNIT:mm			TITLE ▲ ULT2 Cable Joiner Screw-in Type
TOLERANCE .X ±0.25 .XX ±0.1 .XXX ±0.05 ANGLES ±1°	SCALE 67:100	SIZE A4	SHEET 1 OF 2
REV. B	WC-REV. .0	☉ Inspection item	

Amphenol LTW
 安費諾亮泰企業股份有限公司

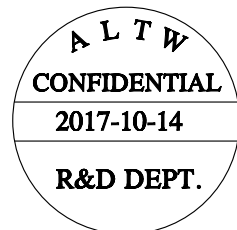
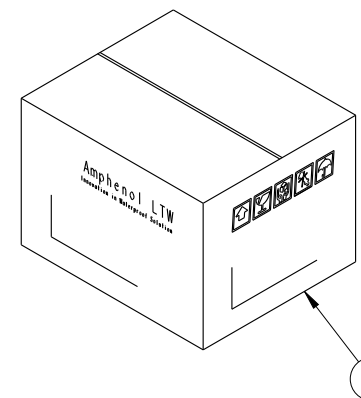
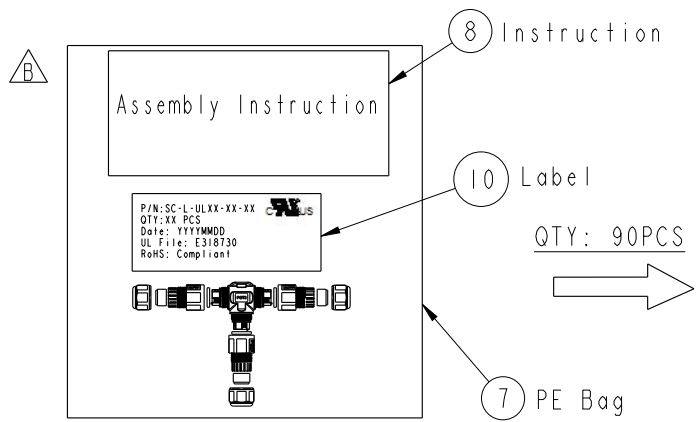
ITEM NO.	DRAWN BY Lingpeng	DATE 2017-10-14
DWG NO. SC-L-ULT2-XX-XX	CHECKED BY Mafei	DATE 2017-10-14
CUSTOMER ALTW	APPROVED BY Jerry	DATE 2017-10-14

THIS DOCUMENT IS SUBJECT TO CHANGE WITHOUT NOTICE. IT IS CONFIDENTIAL AND A PROPERTY OF Amphenol LTW. DISCLOSURE TO THIRD PARTY HAS TO BE AUTHORIZED BY Amphenol LTW.

THIS DOCUMENT IS SUBJECT TO CHANGE WITHOUT NOTICE. IT IS CONFIDENTIAL AND A PROPERTY OF Amphenol LTW. DISCLOSURE TO THIRD PARTY HAS TO BE AUTHORIZED BY Amphenol LTW.



QTY: 1PCS
→



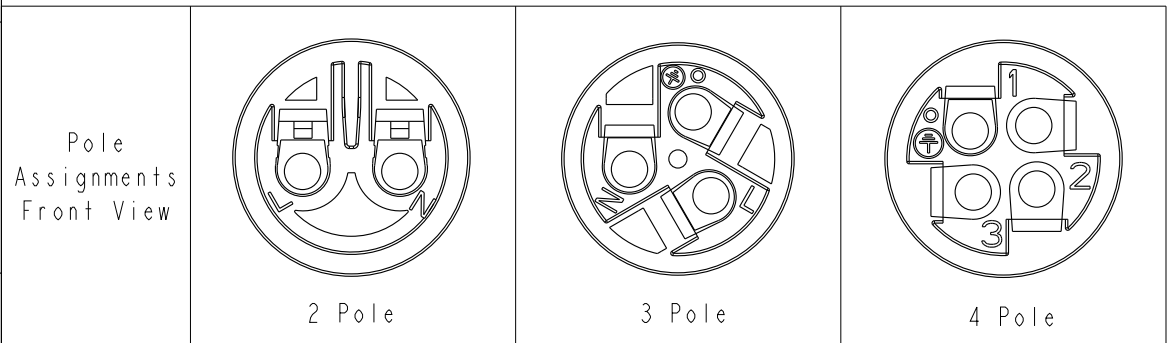
Both A Unassembled product And An Instruction Are In A PE Bag.
(將一套未組裝的產品和說明書，放置於一個PE袋，並封口)

SC-L-ULT2-XX-XX
L: Cable Joiner
Type: ULT2

Seal's Color: BL-Blue(藍色) For Cable Range: $\varnothing 4.5\sim\varnothing 6.5\text{mm}$
 YW-Yellow(黃色) For Cable Range: $\varnothing 6.5\sim\varnothing 8.5\text{mm}$
 GN-Green(綠色) For Cable Range: $\varnothing 8.5\sim\varnothing 10.5\text{mm}$
 RD-Red(紅色) For Cable Range: $\varnothing 10.5\sim\varnothing 12.5\text{mm}$
 No. of Conductor: 02-2Poles
 03-3Poles
 04-4Poles

Note:

- * ⌀ Important Dimension To Check.
- * Waterproof Rate: IP68 (50M,24H)
- * Housing: PA66+GF, Black.
- * Gland Nut: PA66, Black.
- * Gland Pipe: PA66, Black.
- * Contact: Brass, Nickel Plated
- * Gasket & L- Gasket : Silicone, Yellow.
- * Seal: Silicone, Blue & Yellow & Green & Red.
- * Rated Voltage: 2~4 Pole 600V AC
- * Rated Current: 2 & 3 Pole Max. 20A ,
4 Pole Max. 15A.
- * Operating Temperature: $-40^{\circ}\sim+105^{\circ}$.
- * Gland Pipe Recommended Tightening Torque:
8~10 Kgf.cm(0.78~0.98 N.m)
- * Gland Nut Recommended Tightening Torque:
8~10 Kgf.cm(0.78~0.98 N.m)
- * Seal For Cable OD: $\varnothing 4.5\sim\varnothing 6.5\text{mm}$, Blue.
 $\varnothing 6.5\sim\varnothing 8.5\text{mm}$, Yellow.
 $\varnothing 8.5\sim\varnothing 10.5\text{mm}$, Green .
 $\varnothing 10.5\sim\varnothing 12.5\text{mm}$, Red.
- * Screws for Wire connection recommended tightening torque: 2.00~4.50kgf.cm / 0.196~0.44 N.m
- * Applicable Wire gauge: 18AWG ~ 12AWG
- * UL2238 Certification



UNIT:mm		TITLE \triangle ULT2 Cable Joiner Screw-in Type	
TOLERANCE	.X ± 0.25 .XX ± 0.1 .XXX ± 0.05 ANGLES $\pm 1^{\circ}$	SCALE 67:100	SIZE A4 SHEET 2 OF 2
	REV. B	WC-REV. .0	⌀ : Inspection item

Amphenol LTW
安費諾亮泰企業股份有限公司

ITEM NO	DRAWN BY	DATE
	Lingpeng	2017-10-14
DWG NO	CHECKED BY	DATE
SC-L-ULT2-XX-XX	Mafei	2017-10-14
CUSTOMER	APPROVED BY	DATE
ALTW	Jerry	2017-10-14