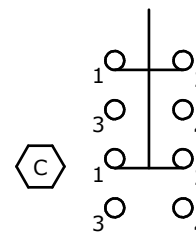


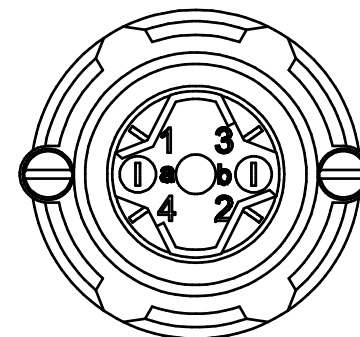
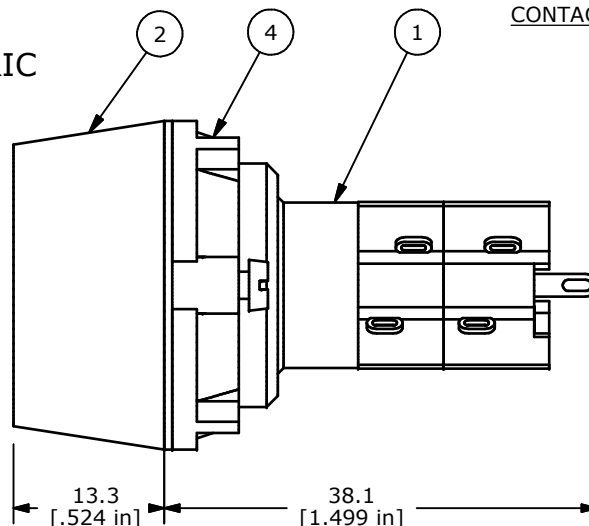
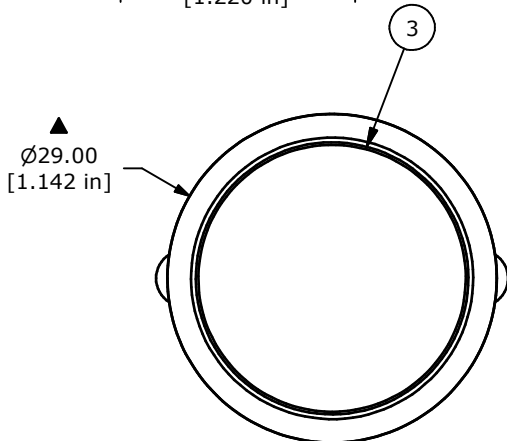
ISOMETRIC

Parts List			
ITEM	QTY	PART NUMBER	DESCRIPTION
1	1	F060611	LASOAU12
2	1	F051701	29MM RING FOR LA SERIES
3	1	F060294	29MM GREEN OPAQUE LENS
4	1	F060250	29MM LA U1 NUT

B



DPDT CONTACT CONFIGURATION



NOTE:

1. ALL DIMENSIONS IN MM [INCH]
2. GENERAL TOLERANCE: X.X=±0.4  
X.XX=±0.25
3. TERMINAL NUMBERS FOR REF ONLY
4. RATING: 5 AMPS @ 250VAC UL, VDE APPROVED  
8 AMPS @ 125VAC UL, VDE APPROVED
5. ELECTRIC LIFE: 50,000 MAKE-AND-BREAK CYCLES AT FULL LOAD.
6. INSULATION RESISTANCE: 1,000 MEGA-OHM MIN.
7. OPERATING TEMP.: -20°C to 55°C
- ▲ 8. LAMP VOLTAGE: NO LAMP
9. ▲ DENOTES CRITICAL PARAMETER.



C	21083	ADD CONTACT CONFIGURATION DIAGRAM	3/26/13	AR
B	14771	CORRECT DESCRIPTION FOR ITEM #1	3/15/05	AR
REV	PCR NO	DESCRIPTION	DATE	BY

TITLE LASOAU120GRN				
SCALE	DATE	DR	DWG	REV
1.5:1	3/10/2005	AR	XF0633P	C

THE INFORMATION CONTAINED IN THIS DOCUMENT IS PROPRIETARY TO E-SWITCH AND IS NOT TO BE COPIED OR TRANSFERRED