

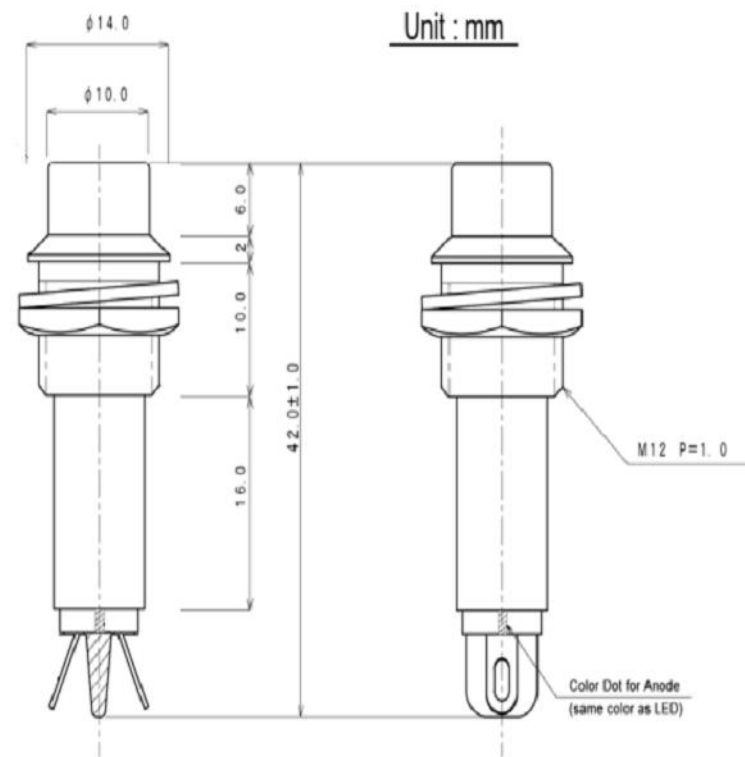
DIALIGHT PART NO.	LED COLOR	OPERATING VOLTAGE (SEE TABLE)	REFER TO FIGURE	PIECE/PART MARKING
682-3132-121F	HIGH BRIGHT RED	6VDC	1	DIALIGHT 6V
682-3135-121F	HIGH BRIGHT RED	6VDC	2	
682-3232-122F	HIGH BRIGHT GREEN	6VDC	1	
682-3235-122F	HIGH BRIGHT GREEN	6VDC	2	
682-3332-123F	HIGH BRIGHT ORANGE	6VDC	1	
682-3335-123F	HIGH BRIGHT ORANGE	6VDC	2	
682-3432-124F	HIGH BRIGHT BLUE	6VDC	1	
682-3435-124F	HIGH BRIGHT BLUE	6VDC	2	
682-3132-131F	HIGH BRIGHT RED	12VDC	1	DIALIGHT 12V
682-3135-131F	HIGH BRIGHT RED	12VDC	2	
682-3232-132F	HIGH BRIGHT GREEN	12VDC	1	
682-3235-132F	HIGH BRIGHT GREEN	12VDC	2	
682-3332-133F	HIGH BRIGHT ORANGE	12VDC	1	
682-3335-133F	HIGH BRIGHT ORANGE	12VDC	2	
682-3432-134F	HIGH BRIGHT BLUE	12VDC	1	
682-3435-134F	HIGH BRIGHT BLUE	12VDC	2	
682-3132-141F	HIGH BRIGHT RED	24VDC	1	DIALIGHT 24V
682-3135-141F	HIGH BRIGHT RED	24VDC	2	
682-3232-142F	HIGH BRIGHT GREEN	24VDC	1	
682-3235-142F	HIGH BRIGHT GREEN	24VDC	2	
682-3332-143F	HIGH BRIGHT ORANGE	24VDC	1	
682-3335-143F	HIGH BRIGHT ORANGE	24VDC	2	
682-3432-144F	HIGH BRIGHT BLUE	24VDC	1	
682-3435-144F	HIGH BRIGHT BLUE	24VDC	1	

REV	ECN NO	REVISIONS	DRN	CKD	APP	QA	CM	DATE
A	—	NEW RELEASE	BP					

- NOTES:
- 1, MOUNTING HOLE SIZE: 0.4922" (12.5 MM)
  - 2, MAX PANEL THICKNESS: 0.236" (6.3 MM)
  - 3, MATERIALS:
    - 3.1, HOUSING: PHENOL PLASTIC
    - 3.2, MOUNTING HEX NUT: BRASS, NICKEL PLATED.
    - 3.3, SPLIT LOCK WASHER: STEEL, UNI-CHROME PLATED.
    - 3.4, HEADER/INSULATOR: POLYCARBONATE, COLOR: BLACK
  - 4, SOLDERABILITY: PER ANSI/IPC-S-805, METHOD A.
  - 5, RECOMENDED MOUNTING TORQUE: 0.217 LBS/FT (3 KG/CM)

### RoHS COMPLIANT C18281

Part Numbers with the "F" suffix ending are RoHS Compliant. Packaging is marked with "RoHS Compliant" label or equivalent markings. Parts can be wave soldered, dip soldered or hand soldered using typical lead-free soldering process with max 260°C temp. for 5 sec.



Mounting Hole:  $\phi 12.5$

FIGURE 1

THIS DRAWING AND THE CONTENTS HEREIN ARE CONFIDENTIAL AND THE SOLE PROPERTY OF DIALIGHT. REPRODUCTION OF THIS DRAWING OR CONSTRUCTION OF ANY PARTS WITHIN THIS DRAWING ARE FORBIDDEN WITHOUT THE WRITTEN CONSENT OF DIALIGHT.		
SCALE: 3.000 ALL DIM'S IN: INCHES (MM)	DRAWING NUMBER C-18281	REV A
TOLERANCES: UNLESS OTHERWISE SPECIFIED FRACTIONS: $\pm 1/64$ DECIMALS (.XX): $\pm .01$ DECIMALS (.XXX): $\pm .005$ DECIMALS (.XXXX): $\pm .0005$ ANGLES: $\pm 1^\circ$	TITLE 12mm HIGH BRIGHT LED PMI	
FINISH: -	MATERIAL -	
FSCM 83330	1501 ROUTE 34 SOUTH FARMINGDALE, NJ 07727	
SHEET 1 OF 2 FAMILY TABLE:		

LED Specifications

Color	Absolute Maximum Ratings				
	Forward Current IF (mA)	Reverse Voltage VR (V)	Power Dissipation PD (mW)	Operating Temp. Topr (°C)	Storage Temp. Tstg (°C)
Red	30	10	72	-30 ~ +85	-40 ~ +100
Green	30	7	108	-30 ~ +85	-40 ~ +100
Orange	30	10	72	-30 ~ +85	-40 ~ +100
Blue	30	7	108	-30 ~ +85	-40 ~ +100
White	30	7	105	-30 ~ +85	-40 ~ +100

IF: 20mA Electro-Optical Characteristics					
Forward Voltage VF (V)	Reverse Current IR (μA)	Luminous Intensity Iv (mcd)	Wave Length λ d (nm)	LineHalf-width Δλ (nm)	Angle (Ref.) 2θ 1/2
2.05	10	<b>2100</b>	624	20	30
3.3	10	<b>25000</b>	525	30	30
2.05	10	<b>2000</b>	605	17	30
3.3	10	<b>5400</b>	470	22	30
3.1	5	<b>17000</b>	**x = 0.32, y=0.32		30

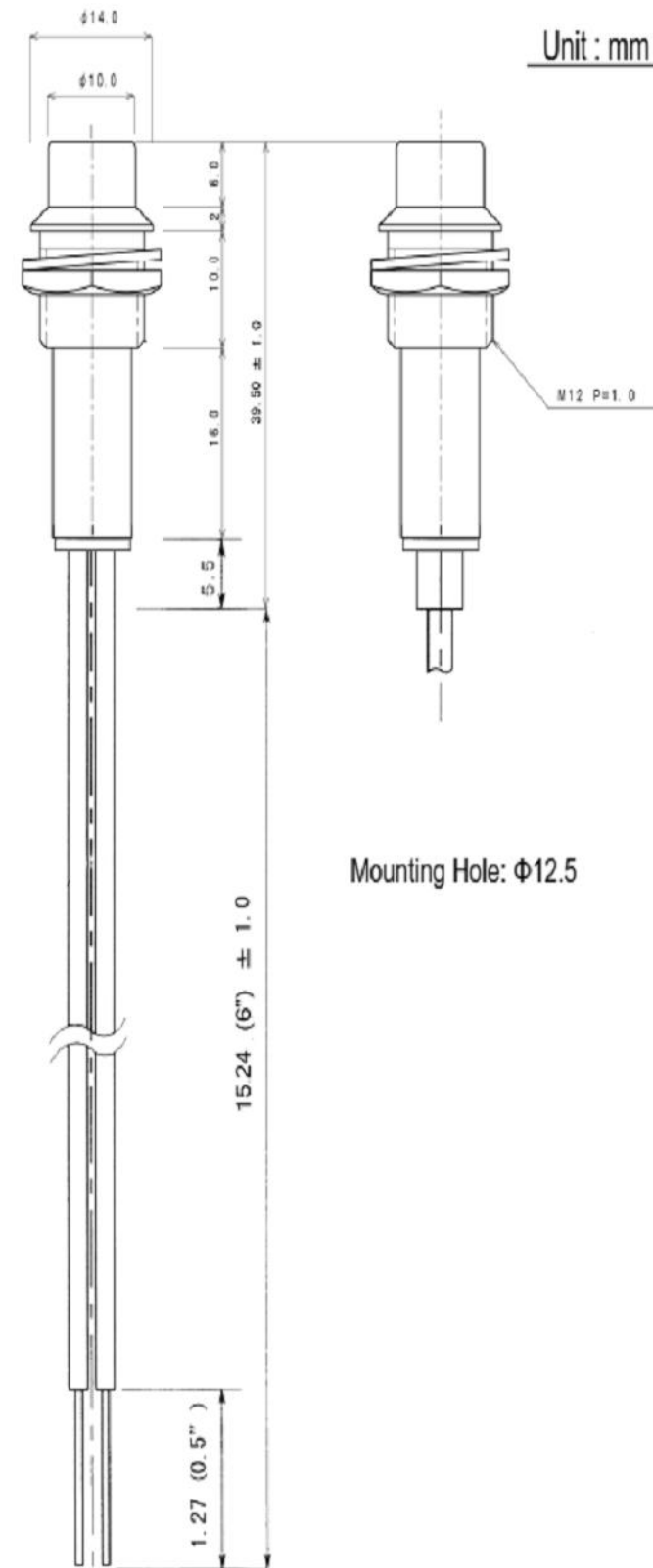


FIGURE 2

THIS DRAWING AND THE CONTENTS HEREIN ARE CONFIDENTIAL AND THE SOLE PROPERTY OF DIALIGHT. REPRODUCTION OF THIS DRAWING OR CONSTRUCTION OF ANY PARTS WITHIN THIS DRAWING ARE FORBIDDEN WITHOUT THE WRITTEN CONSENT OF DIALIGHT.		
SCALE: 3.000 ALL DIM'S IN: INCHES (MM)	DRAWING NUMBER C-18281	REV A
TOLERANCES: UNLESS OTHERWISE SPECIFIED FRACTIONS: ±1/64 DECIMALS (.XX): ±.02 DECIMALS (.XXX): ±.015	TITLE 12mm HIGH BRIGHT LED PMI	
ANGLES: ±3° FINISH:	MATERIAL —	
FSCM 83330	1501 ROUTE 34 SOUTH FARMINGDALE, NJ 07727	
SHEET 2 OF 2 FAMILY TABLE:		