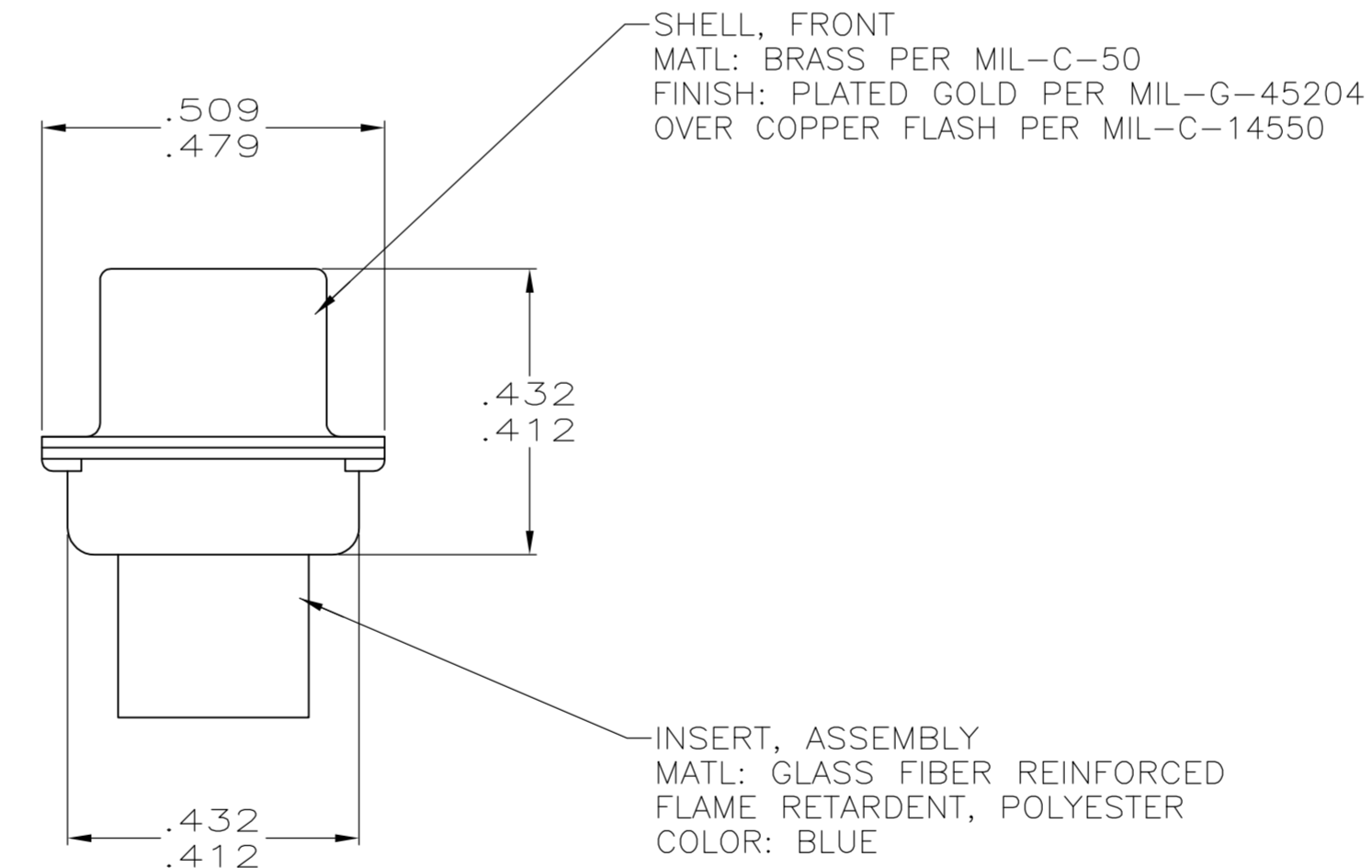
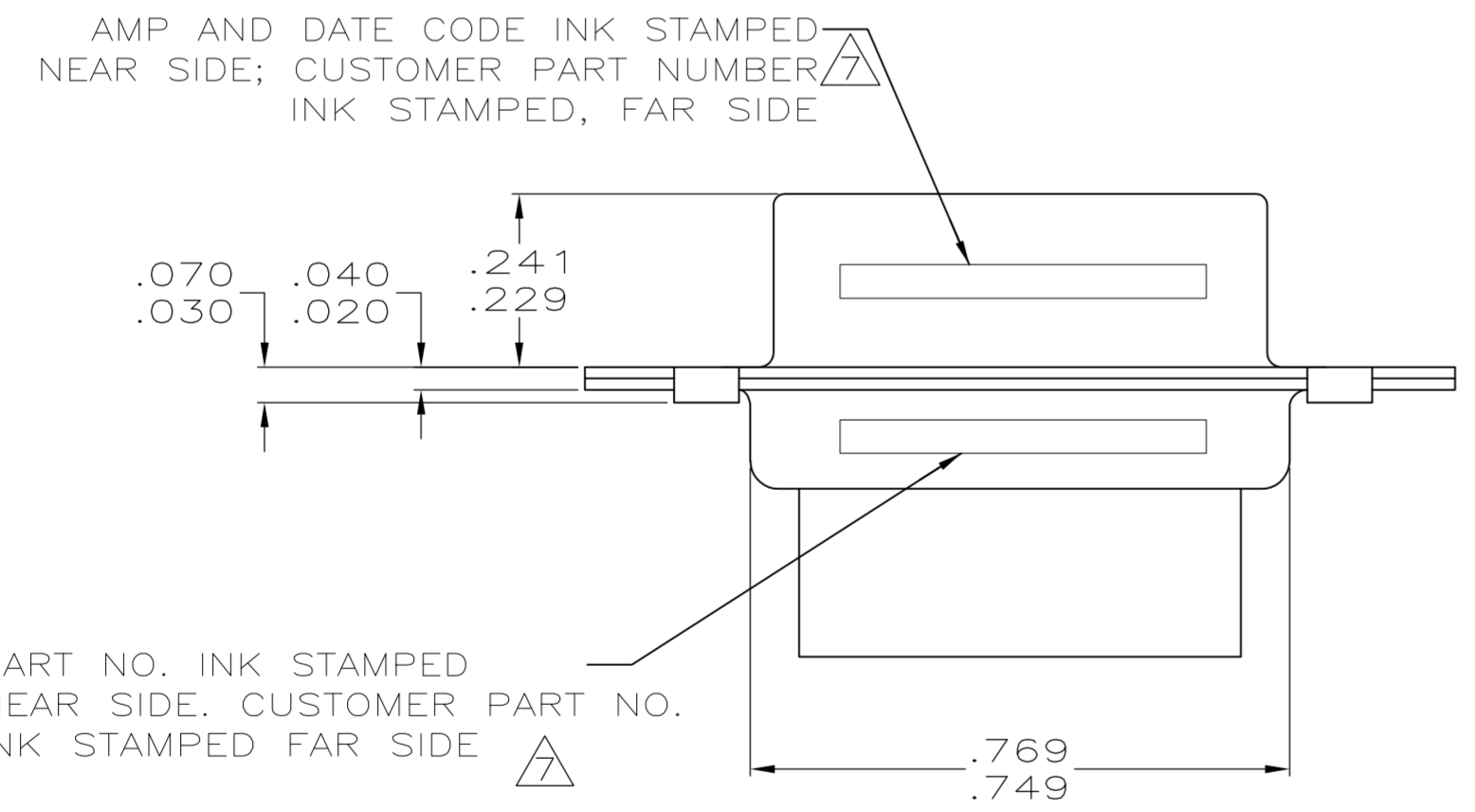
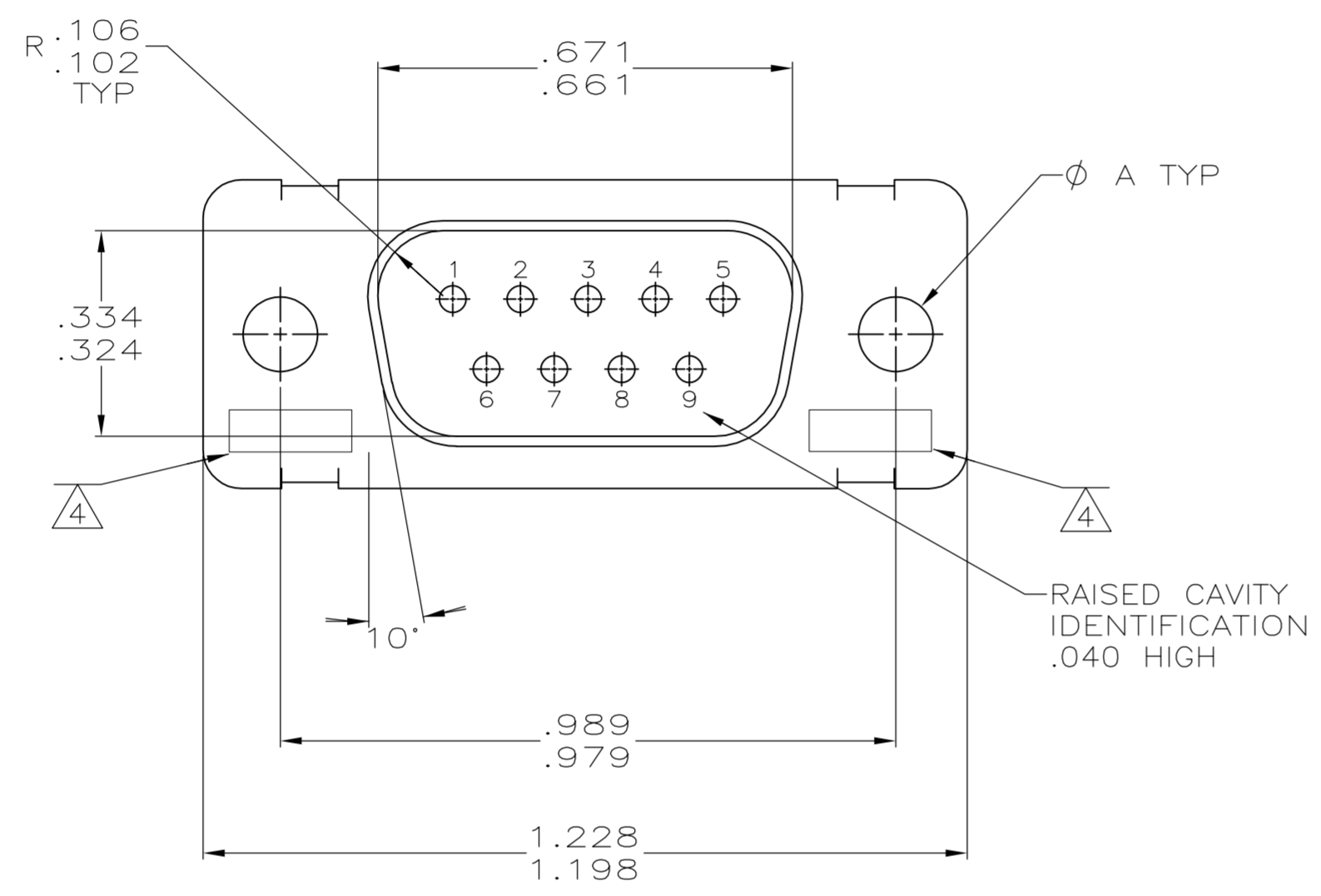


| LOC | | DIST | | REVISIONS | | | |
|-----|-----|---------------------------|---------|-----------|------|--|--|
| P | LTR | DESCRIPTION | DATE | DWN | APVD | | |
| L1 | | REVISED PER ECO-11-005030 | 11MAR11 | RK | HMR | | |



- THIS PLUG WILL MATE WITH ANY RECEPTACLE CONNECTOR WITH THE SAME INSERT ARRANGEMENT AS DEFINED BY MS18273-1.
- MAXIMUM WIRE INSULATION USED WITH THIS PLUG IS .072 DIA.
- BE CU RETENTION CLIPS ARE INCLUDED IN INSERTS.
- UL/CSA DESIGNATION STAMPED IN THIS AREA.
- THESE CONNECTORS ARE QUALIFIED TO GODDARD SPACE FLIGHT CENTER SPECIFICATION S-311-P-4.
- CONNECTOR SUPPLIED WITHOUT CONTACTS; SHOWN FOR DIMENSIONAL REFERENCE ONLY.
- CUSTOMER PART NUMBER MAY BE SPLIT BETWEEN FRONT AND REAR SHELLS, SAME SIDE. FAR SIDE REFERS TO WIDE SIDE OF KEYSTONE, NEAR SIDE REFERS TO NARROW SIDE OF KEYSTONE.
- RESTRICTED TO CAE ELECTRONICS ONLY.

| | | | | |
|---------|------|------------------------|-----------------------|-------------|
| | .120 | 570513-6 | 207252-6 | 207252-6 |
| | 5 8 | .120 | 311P409-1P-B-12 | 207252-2 |
| OBS | | .120 | 2A014-001V-001 | 207252-4 |
| OBS | | .120 | --- | 207252-3 |
| | 5 | .120 | 311P409-1P-B-12 | 207252-2 |
| | 5 | .154 | 311P409-1P-B-15 | 207252-1 |
| REMARKS | A | INK STAMP CUSTOMER P/N | INK STAMP PART NUMBER | PART NUMBER |

THIS DRAWING IS A CONTROLLED DOCUMENT.

DIMENSIONS: INCHES

TOLERANCES UNLESS OTHERWISE SPECIFIED:

| | |
|--------|--------|
| 0 PLC | ± .005 |
| 1 PLC | ± .005 |
| 2 PLC | ± .005 |
| 3 PLC | ± .005 |
| 4 PLC | ± .005 |
| ANGLES | ± .2° |

MATERIAL: SEE CALLOUTS

FINISH: SEE CALLOUTS

WEIGHT: ---

CUSTOMER DRAWING

APVD: THOMPSON 08-12-93

CHK: F. KINSEY 08-19-93

APVD: F. KINSEY 08-19-93

NAME: PLUG FOR PIN CONTACTS SERIES 109, SIZE 1, NONMAGNETIC 9 POSITION

SIZE: A1

CAGE CODE: 00779

DRAWING NO: 207252

RESTRICTED TO: ---

SCALE: 4:1

SHEET: 1 OF 1

REV: L1