

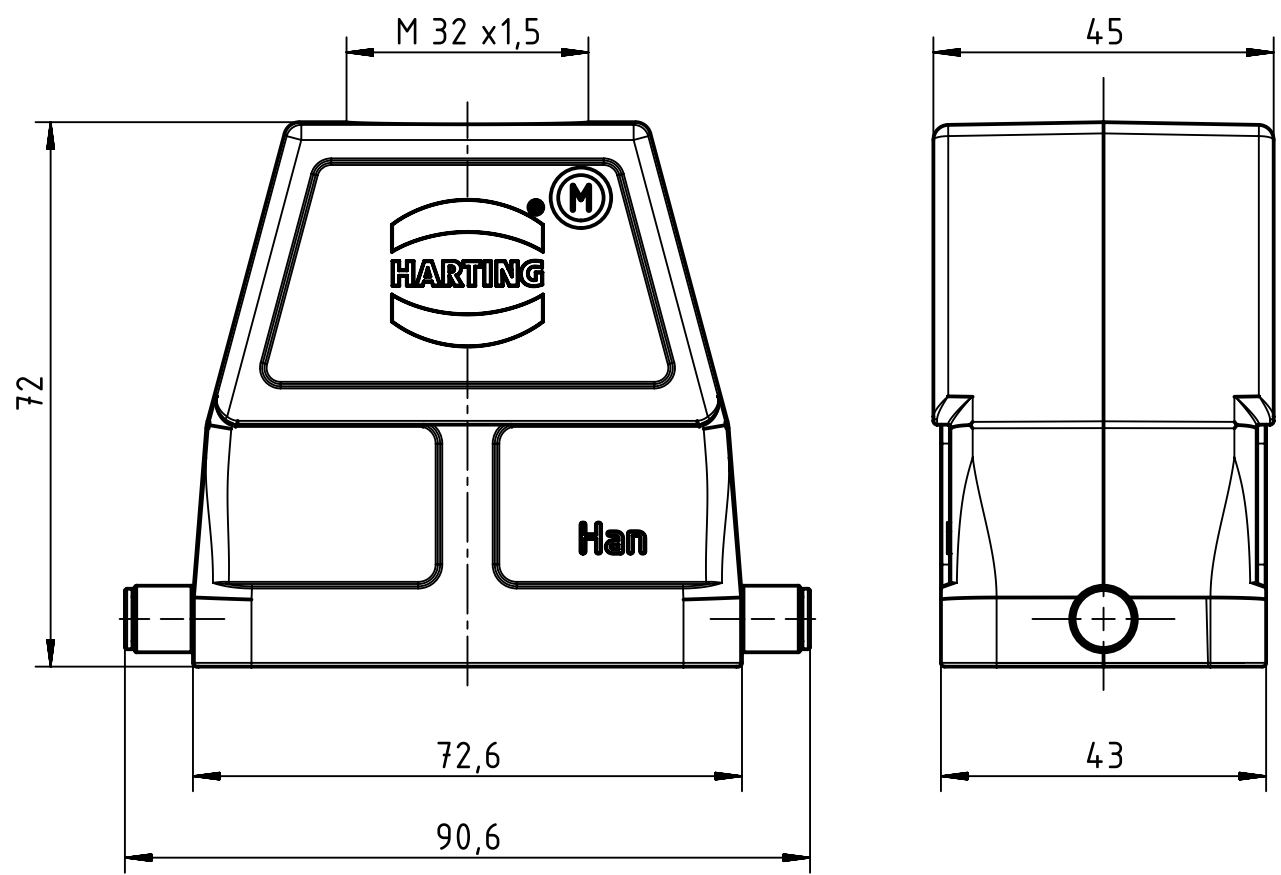
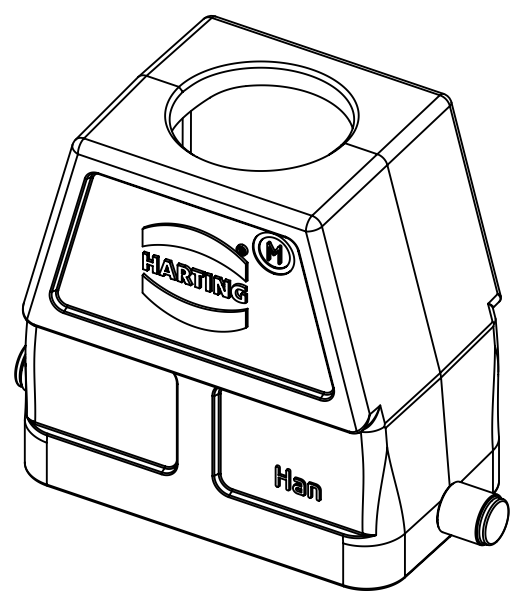
1 2 3 4 5 6


A

B

C

D



	All rights reserved Department EL PD - DE	All Dimensions in mm Original Size DIN A4		Scale 1:1	Free size tol.	Ref.	
		Created by SCHULZI	Inspected by BERGHORN	Standardisation TIEMANNA	Date 2014-07-21	State Final Release	
HARTING Electric GmbH & Co. KG D-32339 Espelkamp		Title Han EMC/B 10 Hood Top Entry M32				Doc-Key / ECM-Nr. 100230075/UGD/002/B 500000061817	
		Type TB	Number 19 62 810 0447			Rev. B	Page 1/1