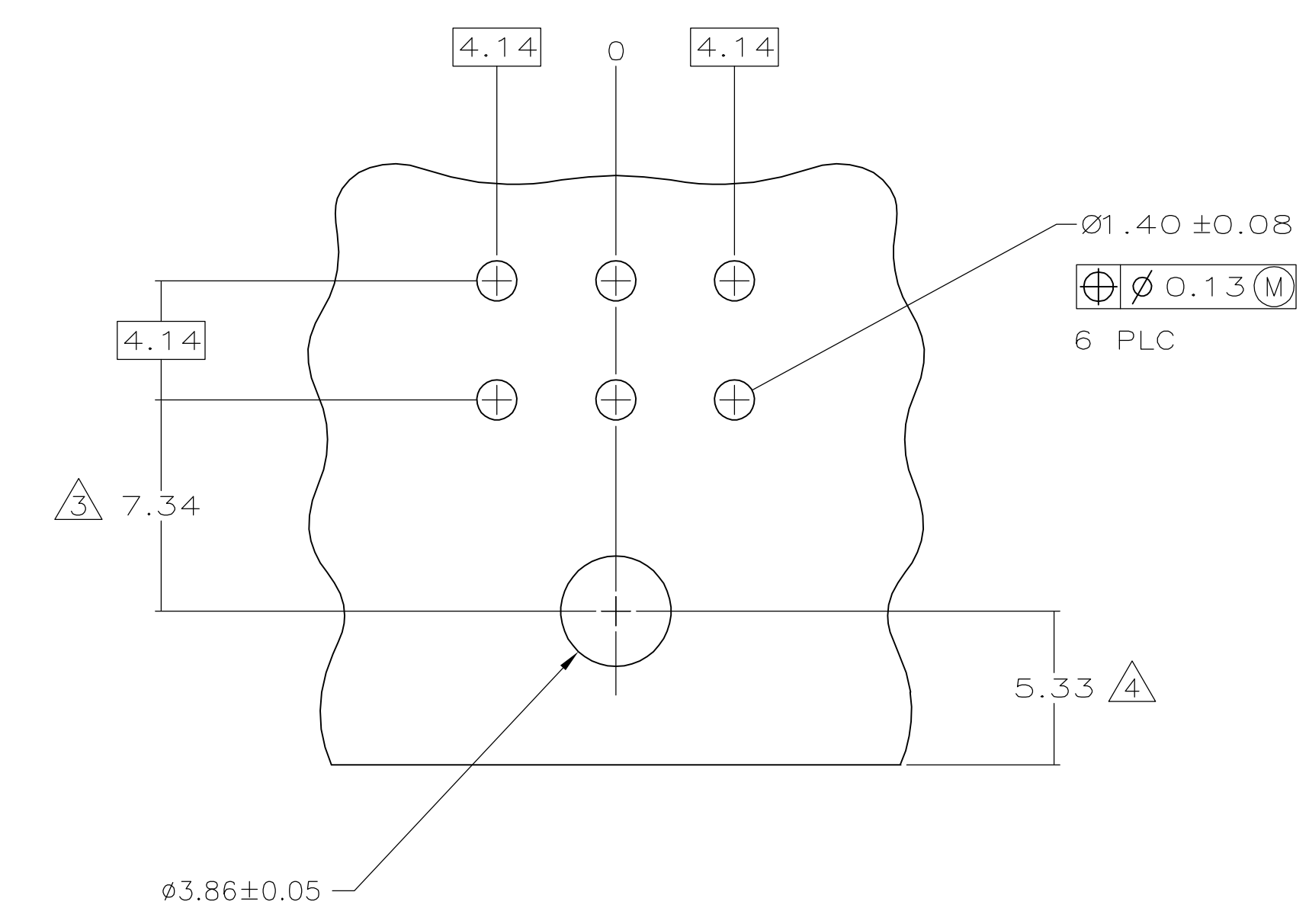
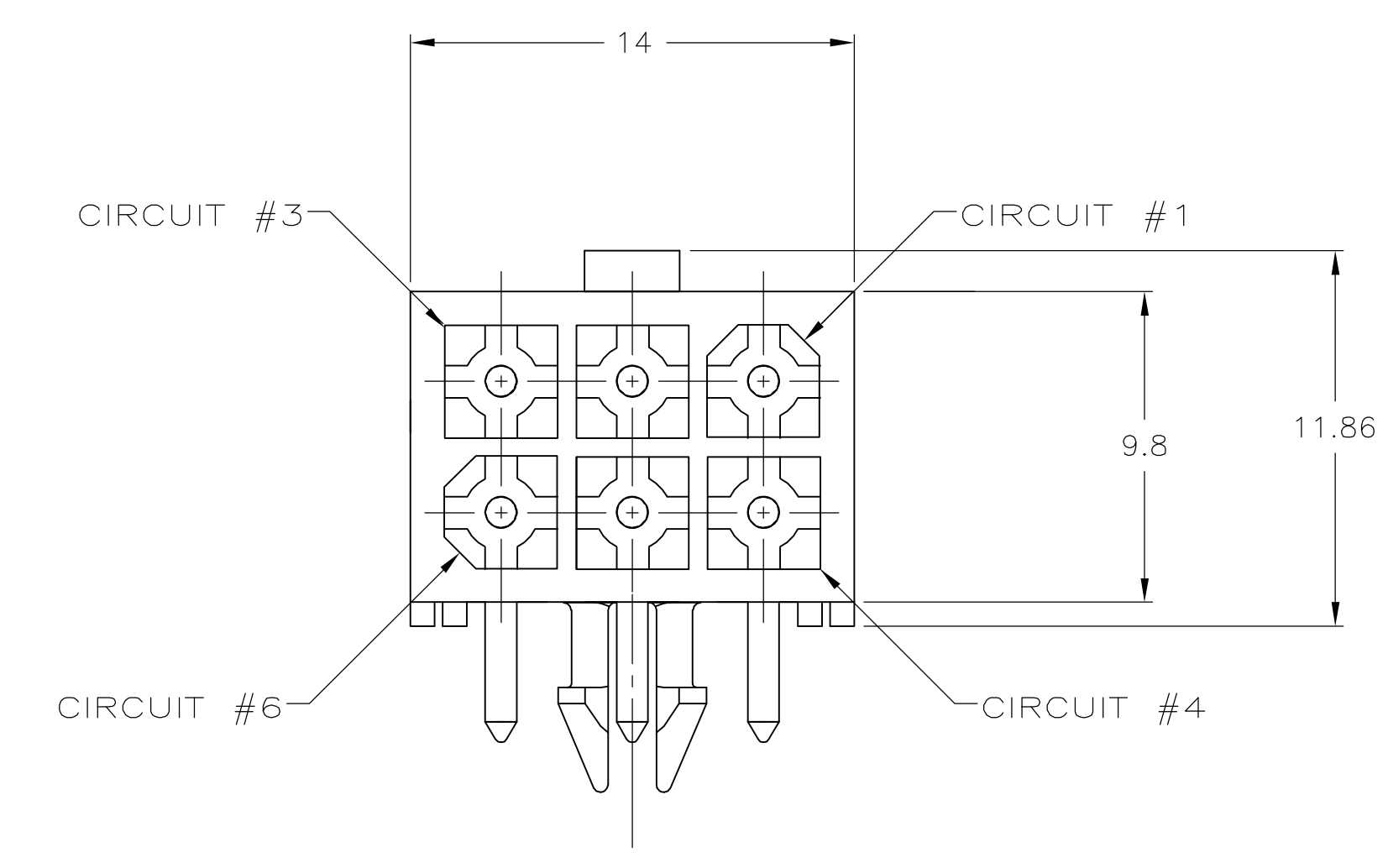
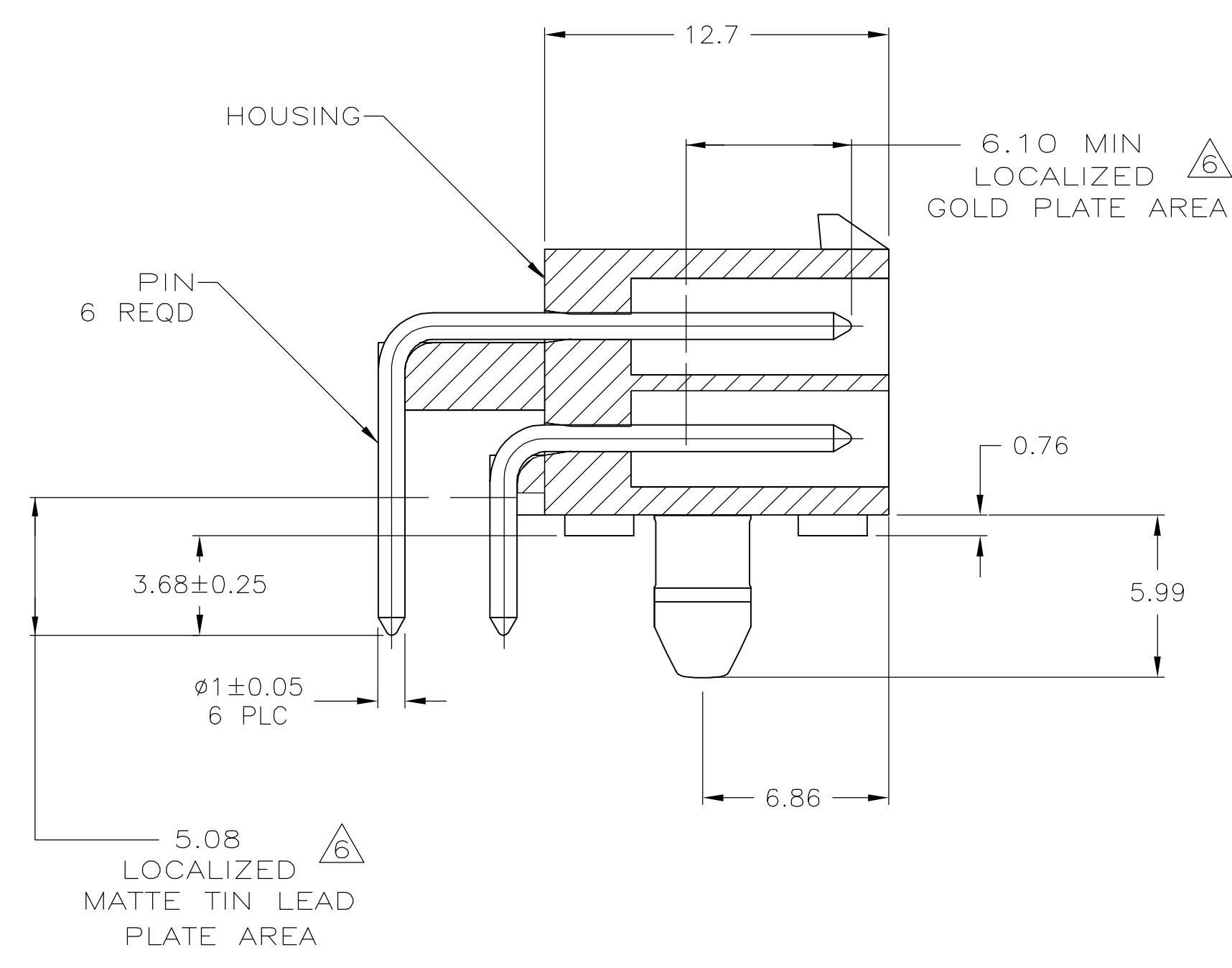


LOC		DIST		REVISIONS			
CM	00	P	LTR	DESCRIPTION	DATE	DWN	APVD
		B		REVISED PER ECO-05-016182	19DEC05	KW	CJ



3.68	.145	-	-
1.57	.062	14.00	.551
1.40	.055	12.70	.500
1.00	.039	9.80	.386
0.76	.030	7.34	.289
0.25	.010	6.86	.270
0.13	.005	6.10	.240
0.08	.003	5.99	.236
0.05	.002	5.33	.210
0.00381	.000150	5.08	.200
0.00127	.000050	4.14	.163
0.00076	.000030	3.86	.152
MM	IN	MM	IN

CONVERSION TABLE

- PINS TO COMPLY WITH AMP SOLDERABILITY SPEC 109-11-3.
- MATES WITH PLUG P/N 1586618-1.
- COORDINATE DIMENSION APPLIES FROM CENTER OF ACTUAL FEATURE.
- RECOMMENDED FOR EDGE MOUNTING.
- 0.00381 MIN MATTE TIN LEAD OVER 0.00127 MIN NICKEL ENTIRE LENGTH OF PIN.
- 0.00076 MIN GOLD PLATE IN THE LOCALIZED GOLD PLATE AREA 0.00381 MIN MATTE TIN IN THE LOCALIZED TIN PLATE AREA, BOTH OVER 0.00127 MIN NICKEL.

BRASS	6	NYLON, UL94V-0	WHITE	1586611-1
BRASS	5	NYLON, UL94V-0	WHITE	1586611-1
MATERIAL	FINISH	MATERIAL	COLOR	PART NO.
PIN		HOUSING		

**METRIC**

THIS DRAWING IS A CONTROLLED DOCUMENT.

DWNS	K. WHITAKER	06DEC2004	<b>tyco</b> Electronics	Tyco Electronics Corporation Harrisburg, PA 17105-3608	
CHK	C. JONES	06DEC2004		NAME	HEADER ASSEMBLY, RIGHT ANGLE, WITH SHORT PEG, 6 CIRCUIT, MINI UNIVERSAL MATE-N-LOK™
APPR	C. JONES	06DEC2004	PRODUCT SPEC	SIZE	CAGE CODE
APP			APPLICATION SPEC	DRAWING NO	RESTRICTED TO
MATERIAL	SEE TABLE	FINISH	SEE TABLE	WEIGHT	-
CUSTOMER DRAWING				SCALE	5:1
				SHEET	1 OF 1
				REV	B