

# SPECIFICATION FOR APPROVAL



TO: \_\_\_\_\_

PART NO.		REV.		DELTA SAMPLE ISSUE NO	
PART NAME	EMI FILTER			DELTA MODEL	03EK3M
ORDER P/N.	03EK3M			SAMPLE ISSUE DATE	

1. ELECTRICAL CHARACTERISTICS:

1-1. VOLTAGE RATING ..... 115/250VAC

1-2. CURRENT RATING

A. AT 115VAC ..... 3 A RMS Max.

B. AT 250VAC ..... 3 A RMS Max.

1-3. OPERATING FREQUENCY..... 50/60 Hz

1-4. LEAKAGE CURRENT: EACH LINE TO GROUND

A. @115VAC 60Hz ..... 2.0 uA Max.

B. @250VAC 50Hz ..... 5.0 uA Max.

1-5. HIPOT RATING (FOR ONE MINUTE)

A. LINE TO GROUND ..... 2250VDC

B. LINE TO LINE ..... 1450VDC

1-6. TEMPERATURE RANGE: -25 TO +100 DEGREE C

1-7. MINIMUM INSERTION LOSS IN dB: (AT 50 OHM SYSTEM)

FREQ. MHz	.01	.05	.10	.15	.50	1.0	5.0	10	30
COM. MODE dB	/	22	27	32	42	36	22	18	6
DIF. MODE dB	/	4	4	18	48	55	55	55	35

1-8. SAFETY



REPORT BY	CHECKED BY	APPROVED BY		
			REV.	

**DELTA ELECTRONICS, INC.**

186 RUEY KUANG ROAD, NEIHU. TAIPEI 114,  
TAIWAN, R.O.C.  
TEL:886-2-87972088 FAX:886-2-87972120

# SPECIFICATION FOR APPROVAL

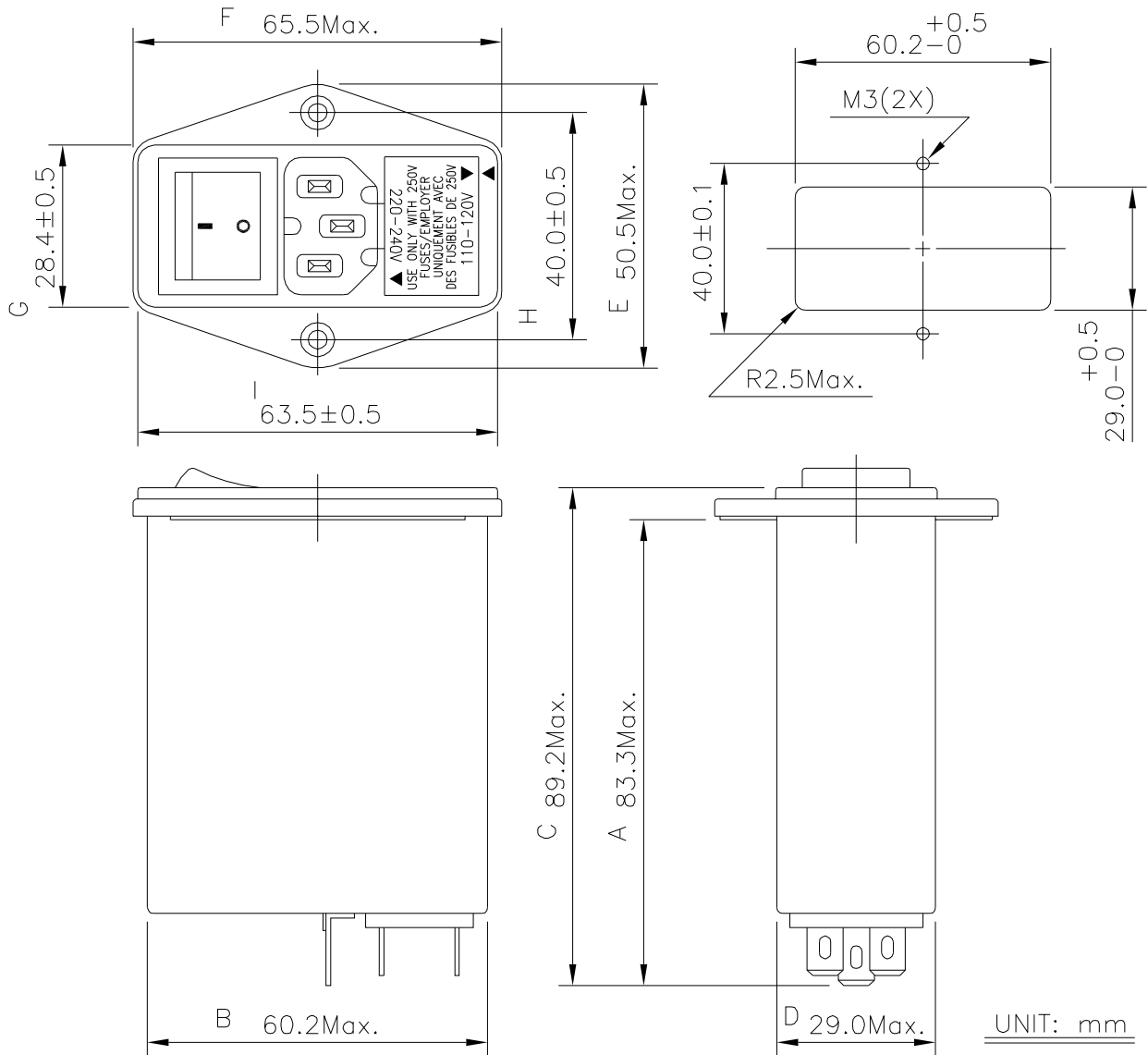


TO: \_\_\_\_\_

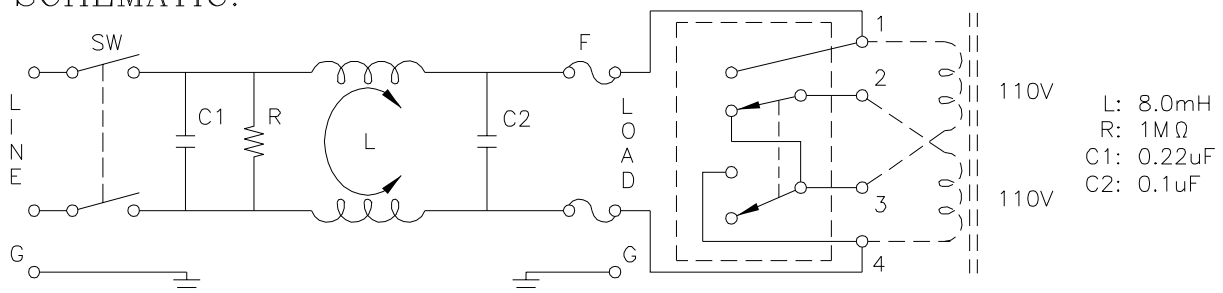
PART NO.		REV.		DELTA SAMPLE ISSUE NO	
PART NAME	EMI FILTER			DELTA MODEL	03EK3M
ORDER P/N.	03EK3M			SAMPLE ISSUE DATE	

## 2. PHYSICAL DIMENSIONS:

### SUGGESTED MOUNTING CUTOUT



## 3. SCHEMATIC:



REPORT BY	CHECKED BY	APPROVED BY	UNLESS OTHERWISE SPECIFIED DIMENSION TOLERANCE		
			DCEIMALS	.X±	.XX±
					ANGLES±
			REV.		