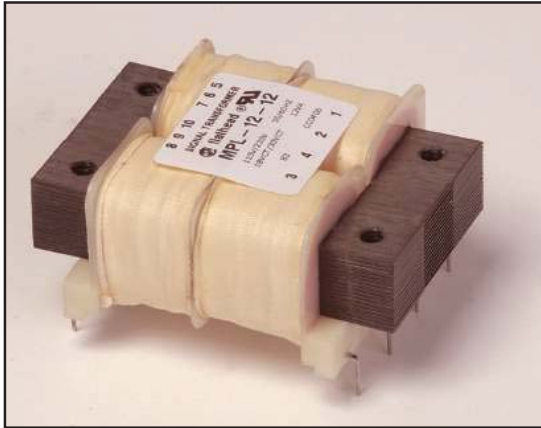


# Low Profile Printed Circuit Mount Triple Output Transformers

For 5 VDC and  $\pm 12$  VDC or  $\pm 15$  VDC Regulated Power Supplies



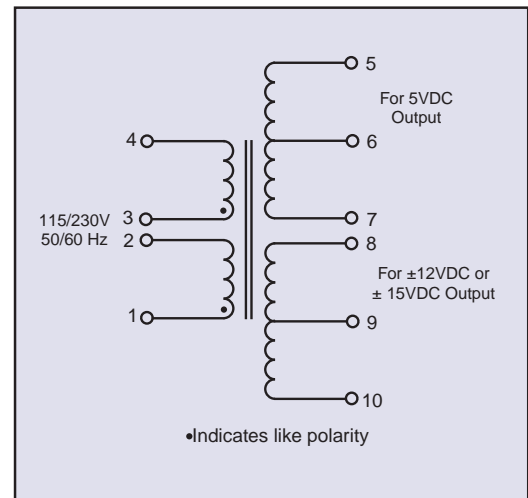
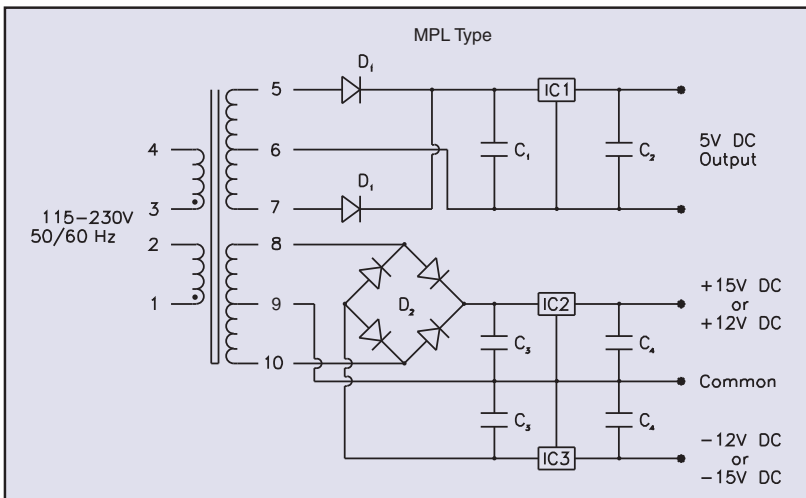
## MPL Series

### General Specifications

- Power - 6 VA and 12 VA
- Dielectric Strength - 1500 Vrms Hipot
- Primaries - Dual primaries, 115/230 V nominal, 50/60 Hz, input range 100 V to 130 V or 200 V to 260 V
- Secondaries - Dual complementary outputs, 5 VDC with  $\pm 12$  VDC or 5 VDC with  $\pm 15$  VDC
- Electrostatic shield - not necessary due to split bobbin construction
- Reduced magnetic radiation
- Height - 0.85" and 1.065" high
- Insulation System - Class B, 130° C, UL 1446 E66312

### Agency Certifications

- UL recognized to UL 506 / UL 5085-2, File # E63829
- CSA certified to C22.2 #66.1, File # 221070



| Part Number | DC Output      |                      | VA Size | Suggested Components |                |                |                |                    |                    |                   |                   |
|-------------|----------------|----------------------|---------|----------------------|----------------|----------------|----------------|--------------------|--------------------|-------------------|-------------------|
|             | Regulator I    | Regulator II         |         | C <sub>1</sub>       | C <sub>2</sub> | C <sub>3</sub> | C <sub>4</sub> | D <sub>1</sub> (2) | D <sub>2</sub> (4) | IC <sub>1</sub> * | IC <sub>2</sub> * |
| MPL-6-12    | 5 VDC<br>135mA | $\pm 12$ VDC<br>40mA | 6       | 1000MFD<br>20V       | 2.7MFD<br>20V  | 150MFD<br>50V  | 10MFD<br>20V   | 1N4001             | 1N4002             | LM342P-5.0        | LM326N            |
| MPL-6-15    | 5 VDC<br>135mA | $\pm 15$ VDC<br>35mA | 6       | 1000MFD<br>20V       | 2.7MFD<br>20V  | 150MFD<br>50V  | 10MFD<br>20V   | 1N4001             | 1N4002             | LM342P-5.0        | LM325N            |
| MPL-12-12   | 5 VDC<br>270mA | $\pm 12$ VDC<br>85mA | 12      | 2100MFD<br>30V       | 2.7MFD<br>20V  | 250MFD<br>50V  | 10MFD<br>20V   | 1N4001             | 1N4002             | LM341P-5.0        | LM326N            |
| MPL-12-15   | 5 VDC<br>270mA | $\pm 15$ VDC<br>70mA | 12      | 2100MFD<br>30V       | 2.7MFD<br>20V  | 250MFD<br>50V  | 10MFD<br>20V   | 1N4001             | 1N4002             | LM341P-5.0        | LM325N            |

\* National Semiconductor

Custom versions available upon request.

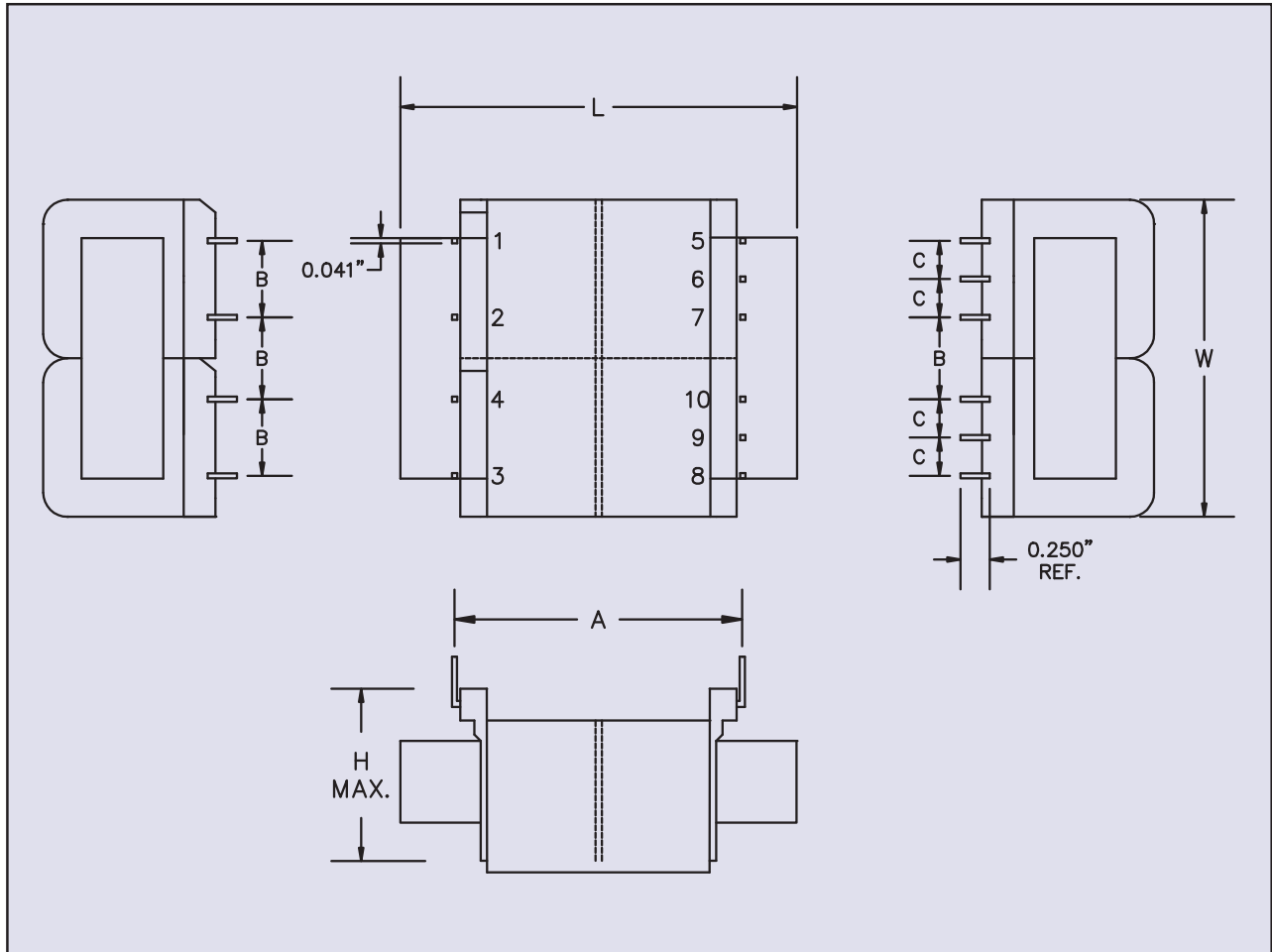
©2015 Signal Transformer Inc. Specifications subject to change without notice. 07.15



500 Bayview Avenue, Inwood, NY 11096  
Toll Free 866-239-5777 • Tel 516-239-5777 • Fax 516-239-7208  
sales@signaltransformer.com • techhelp@signaltransformer.com

# Low Profile Printed Circuit Mount Triple Output Transformers

For 5 VDC and  $\pm 12$  VDC or  $\pm 15$  VDC Regulated Power Supplies



| VA   | Dimensions     |                |                |                |                |               | Weight         |
|------|----------------|----------------|----------------|----------------|----------------|---------------|----------------|
|      | L              | W              | H              | A              | B              | C             |                |
| Size | Inches (mm)    |                |                |                |                |               | lbs (kg)       |
| 6    | 1.87<br>(47.6) | 1.56<br>(39.7) | 0.85<br>(21.6) | 1.60<br>(40.6) | 0.37<br>(9.5)  | 0.18<br>(4.7) | 0.43<br>(0.20) |
| 12   | 2.50<br>(63.5) | 2.00<br>(50.8) | 1.06<br>(27.1) | 2.00<br>(50.8) | 0.50<br>(12.7) | 0.25<br>(6.4) | 0.68<br>(0.31) |

Custom versions available upon request.

©2015 Signal Transformer Inc. Specifications subject to change without notice. 07.15



500 Bayview Avenue, Inwood, NY 11096  
 Toll Free 866-239-5777 • Tel 516-239-5777 • Fax 516-239-7208  
 sales@signaltransformer.com • techhelp@signaltransformer.com