

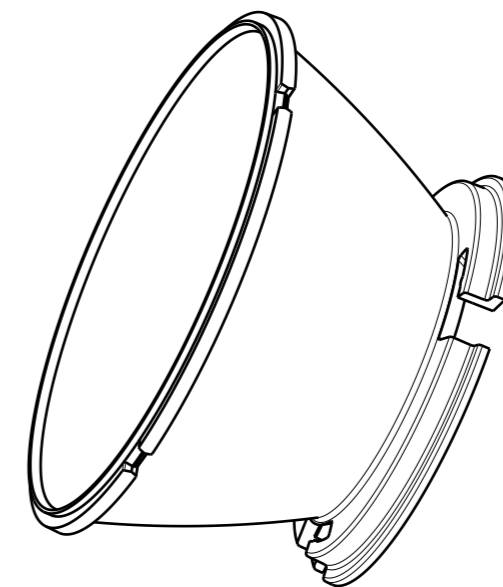
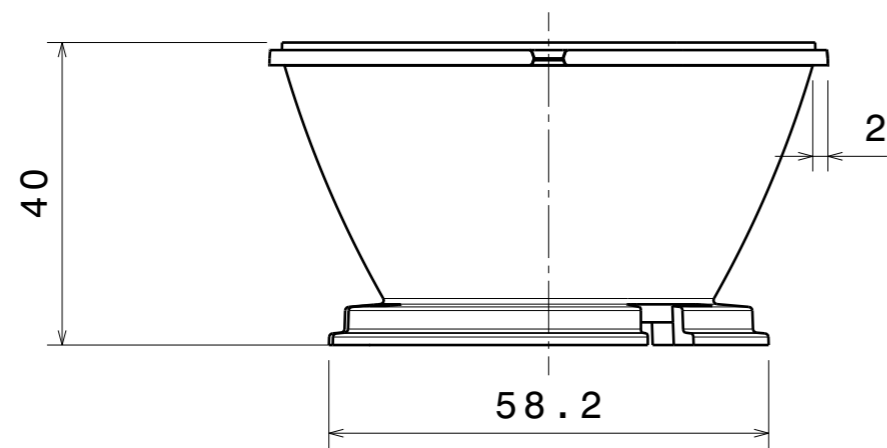
This drawing applies to:

C12597\_LENINA-S

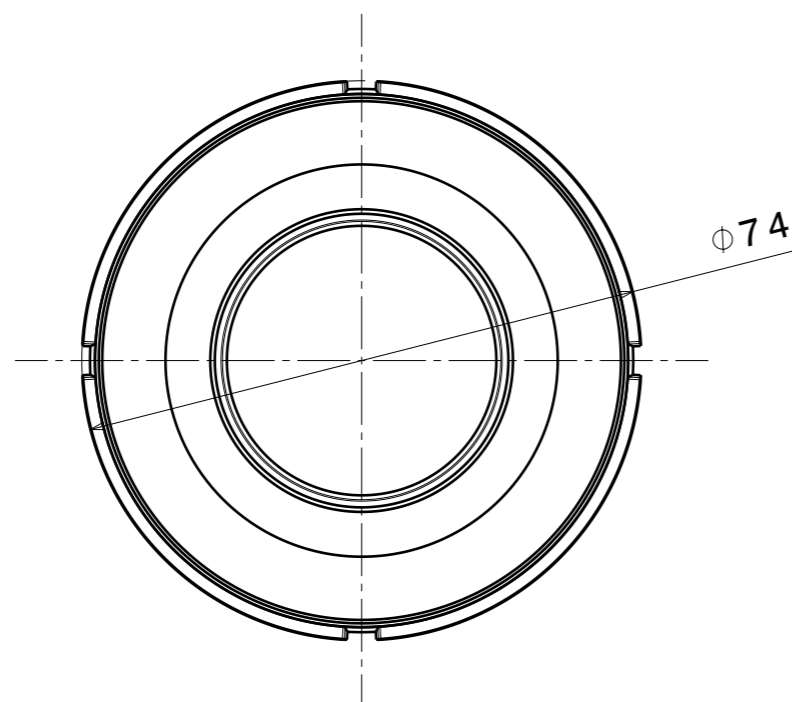
C12598\_LENINA-M

C12599\_LENINA-W

C12958\_LENINA-XW



Isometric view



INDEX	DESCRIPTION	MATERIAL
1	Lenina-reflector	PC

Tolerances if not otherwise shown  
 According to DIN ISO 2768-1  
 Linear measures:  
 Up to 30mm class M, otherwise class C.  
 According to DIN ISO 2768-2  
 Form and position: class L



Ledil Oy  
 Salorankatu 10  
 FIN 24240 SALO  
 Finland

THIRD ANGLE PROJECTION:

DRAWING TITLE  
**Datasheet\_Lenina-reflector**

This drawing is the property  
 of LEDiL Oy. It may not be  
 reproduced, copied or  
 communicated without a written  
 agreement with LEDiL Oy."

SIZE	PART NUMBER		WEIGHT (g)		SHEET
A3	-				1/1
SCALE	1:1	WEIGHT	(g)		SHEET 1/1