

4

3

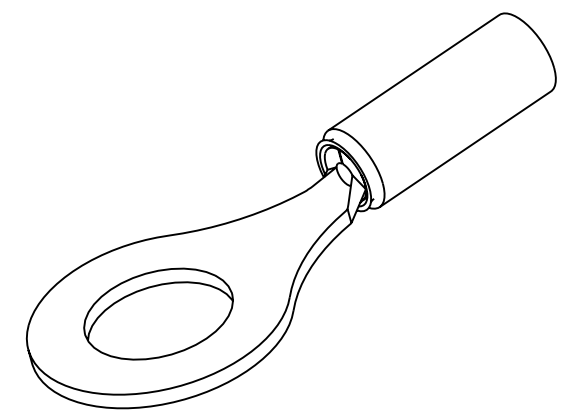
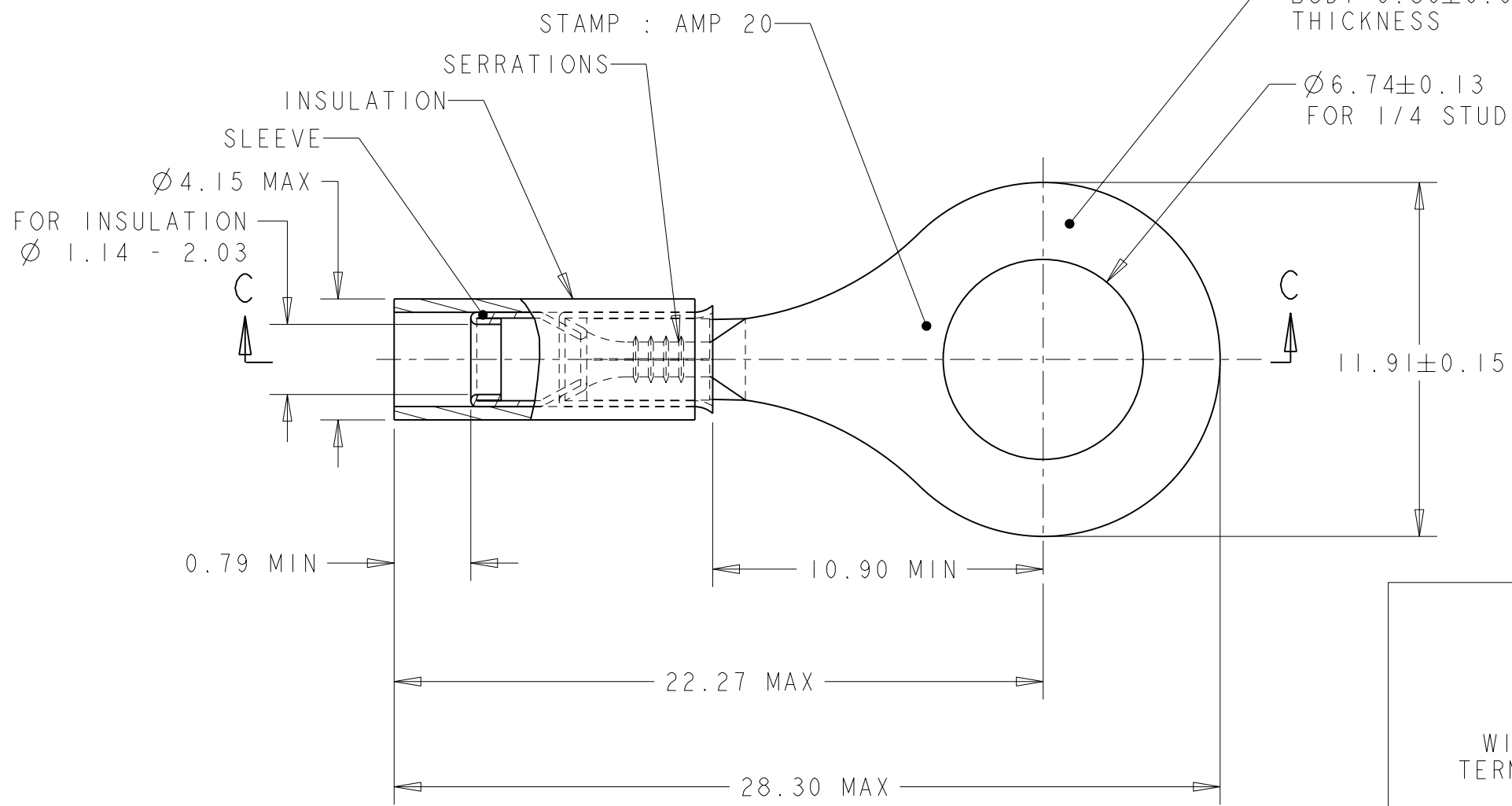
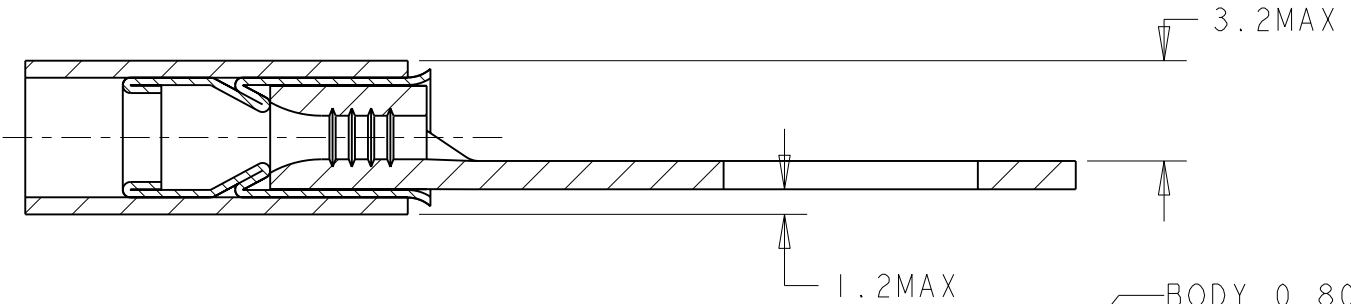
2

1

THIS DRAWING IS UNPUBLISHED. RELEASED FOR PUBLICATION 20
© COPYRIGHT 20 BY TYCO ELECTRONICS CORPORATION. ALL RIGHTS RESERVED.

LOC	DIST	REVISIONS			
P	LTR	DESCRIPTION	DATE	DWN	APVD
F	00	B	09JUN2006	JJD	YP
		C	25OCT2007	JT	GR

COUPE C-C



SCALE 3:1

WIRE TERMINAL	1577627-1	BODY : COPPER ANNEALED FINISH : NICKEL PLATED
		SLEEVE : COPPER ANNEALED FINISH : NICKEL PLATED
		INSULATION : PEEK COLOR : GREY
DESCRIPTION	PART NUMBER	MATERIAL & FINISH

THIS DRAWING IS A CONTROLLED DOCUMENT FOR TYCO ELECTRONICS CORPORATION IT IS SUBJECT TO CHANGE AND THE CONTROLLING ENGINEERING ORGANIZATION SHOULD BE CONTACTED FOR THE LATEST REVISION.		DWN JJ. DESPRETZ 02NOV2005	TYCO ELECTRONICS France SAS BP 30039, 95301 CERGY-PONTOISE Cedex	
DIMENSIONS: mm		CHK G. ROBERT 02NOV2005		
TOLERANCES UNLESS OTHERWISE SPECIFIED:		APVD Y. PETRONIN 02NOV2005	NAME TERMINAL, PEEK PIDG STRATO, 20 AWG	
0 PLC ±-		PRODUCT SPEC 108-15356	RESTRICTED TO	
1 PLC ±0.3		APPLICATION SPEC 114-15102	SIZE A3	CAGE CODE 00779
2 PLC ±-		WEIGHT 1,15 gr	DRAWING NO 1577627	REV C
3 PLC ±-		CUSTOMER DRAWING		
4 PLC ±-		SCALE 5:1 SHEET 1 OF 1		
ANGLES ±5				
FINISH SEE TABLE				