

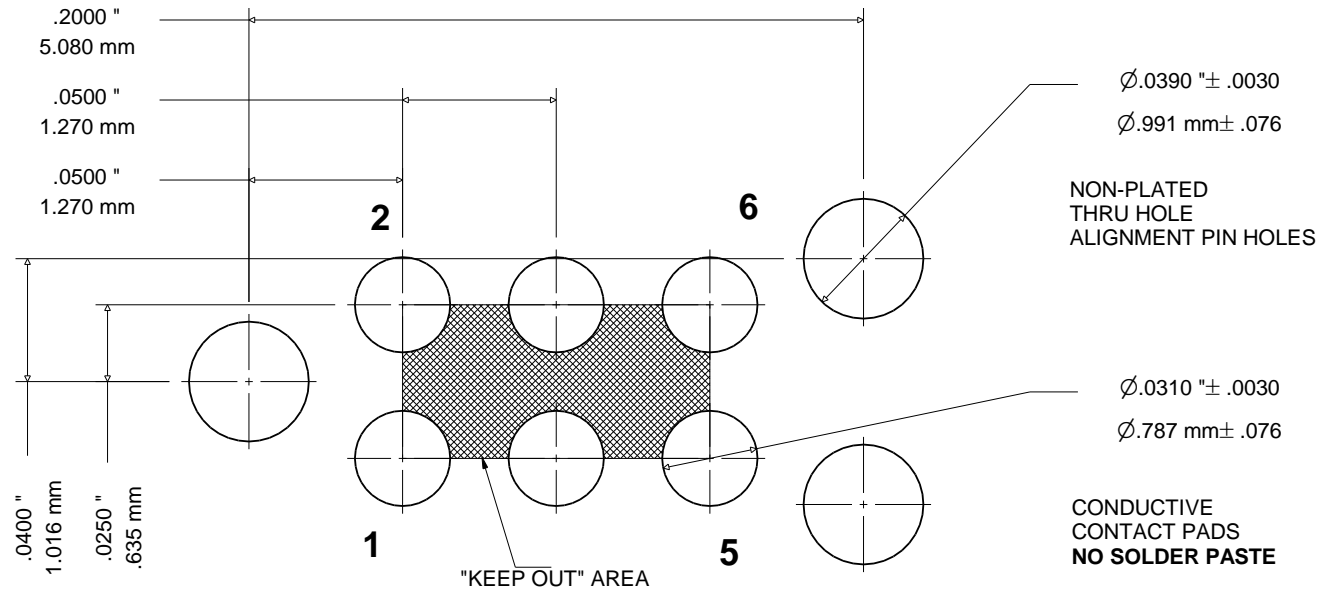
FOOTPRINT FOR TC2030-MCP-NL PLUG-OF-NAILS™ CABLE

REV	TC2030-MCP-NL	12/2/10	MS
-----	----------------------	---------	----

Notes:

1. No tracks or vias in the shaded "KEEP OUT" AREA.
2. No other track or signal within 0.020" of any contact pad.
3. Do not allow solder paste on the contact pads. It is essential to eliminate any hole in the solder paste-mask (solder stencil) layer. If this is not possible make the contact pads thru-hole with finished hole size of 0.008" or less.
4. To avoid ordering confusion, please specify DNL in your BOM.

5. The TC2030-CLIP board can attach to the three alignment pins from underneath the PCB to temporarily retain the cable in place.



Microchip ICD / ICSP signals
 Pin 1: MCLR / Vpp
 Pin 2: Vdd
 Pin 3: GND
 Pin 4: PGD (ICSPDAT)
 Pin 5: PGC (ICSPCLK)
 Pin 6: Unused / LVP

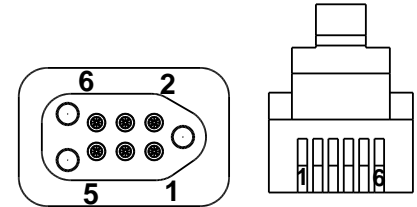
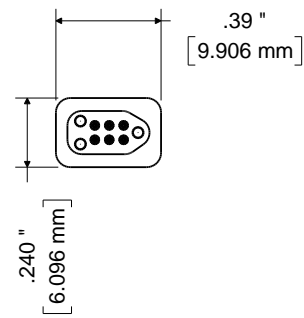
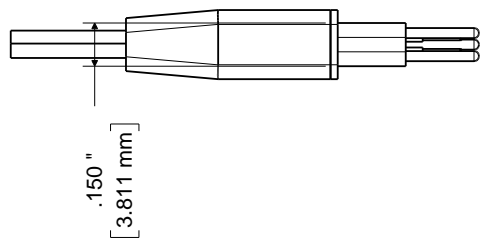
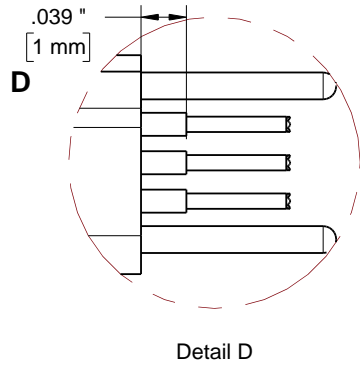
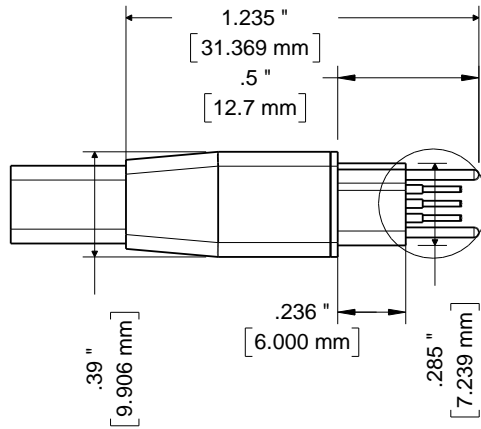
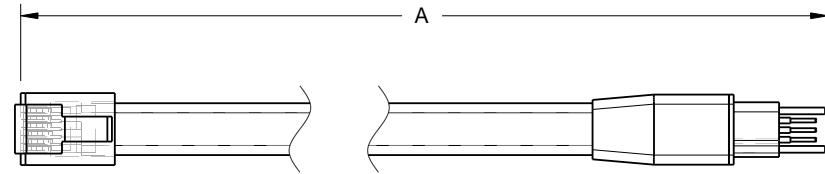
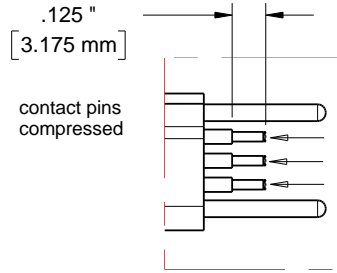
PCB TOP LAYER

SIZE A	FSCM NO.	DWG NO. FOOTPRINT FOR TC2030-MCP-NL-FP	REV A
SCALE 11:1	www.TAG-CONNECT.com	SHEET 1 Of 3	

NOTE:
Dimensions subject to change

TC2030-MCP-NL PLUG-OFF-NAILS™ CABLE

ZONE	REV	TC2030-MCP-NL	12/2/10	MS
------	-----	----------------------	---------	----

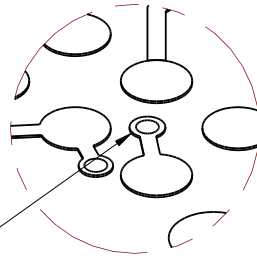
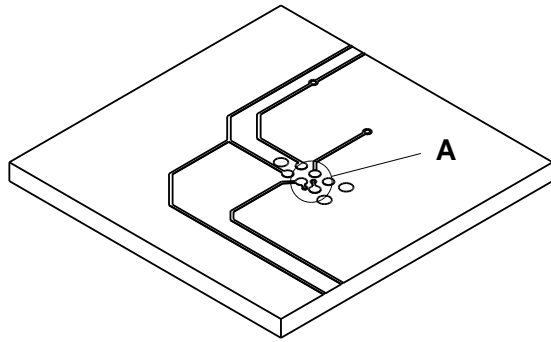


SIGNAL	TAG 6 PIN	RJ12
MCLR / VPP	1	6
VDD	2	5
GND	3	4
PGD(ICSP DAT)	4	3
PGC(ICSP CLK)	5	2
NC / LVP	6	1

PART NUMBER	A	
	IN	MM
TC2030-MCP-NL	6	152.4
TC2030-MCP-10-NL	10	254

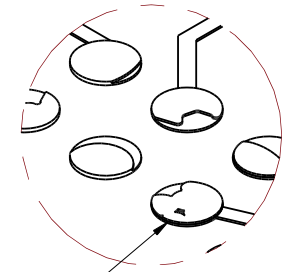
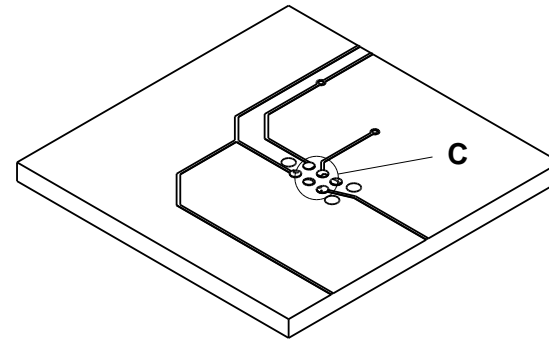
SIZE A	FSCM NO.	DWG NO. TC2030-MCP-NL	REV A
SCALE	www.TAG-CONNECT.com		SHEET 2 Of 3

Layout Problems to Avoid



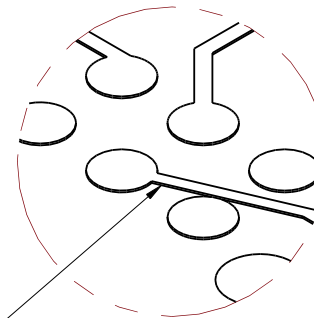
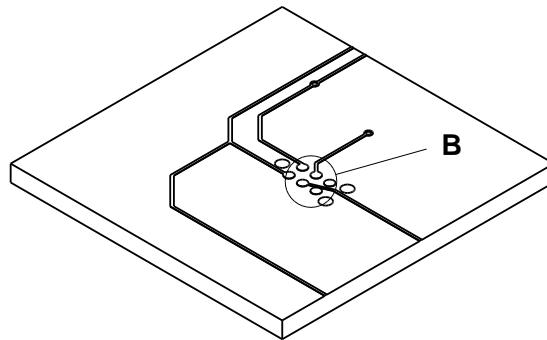
Detail A

Vias between
contact pads



Detail C

Applying solder paste
to contact pads because
of holes in solder Paste Mask



Detail B

Traces less than .02"
away from contact pad
or in "KEEP OUT" area