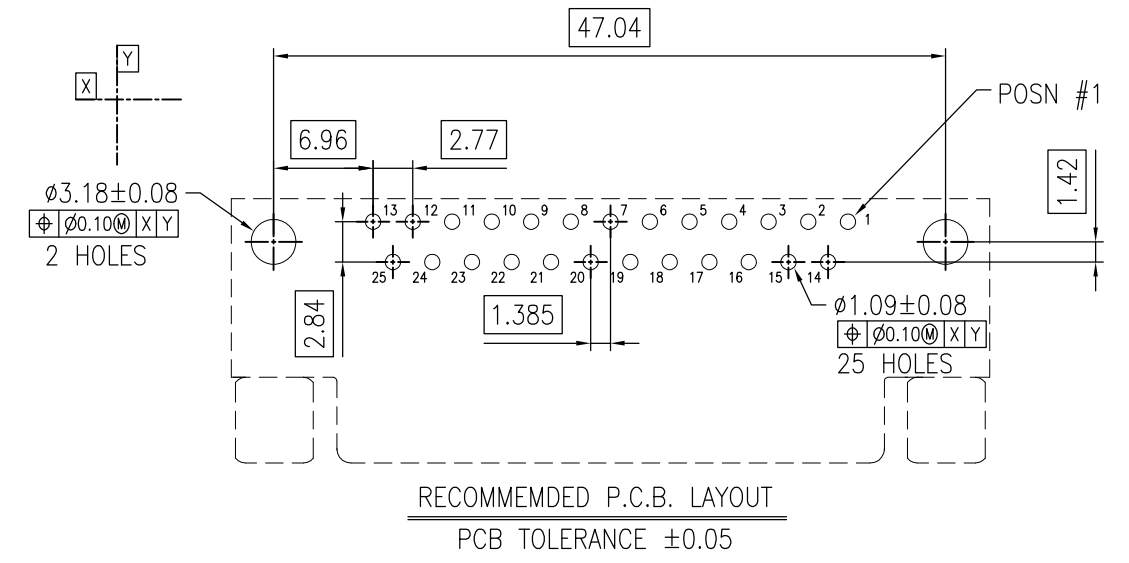
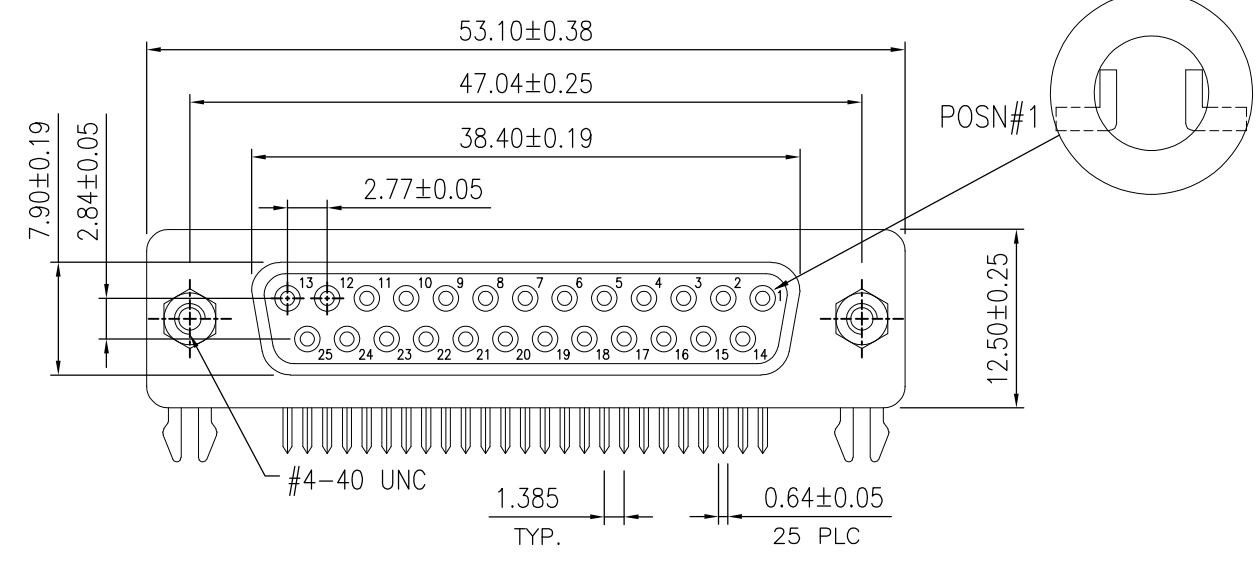
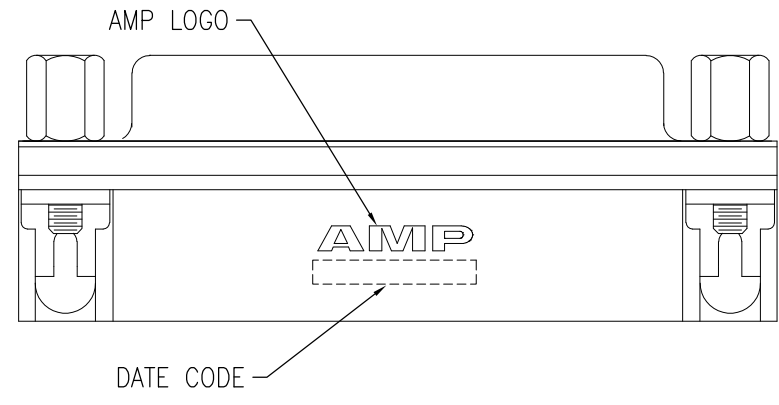
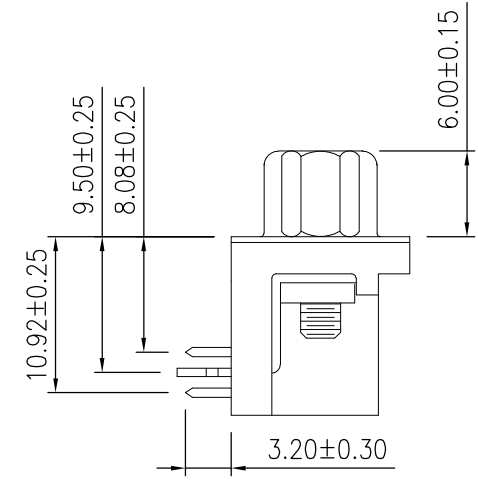
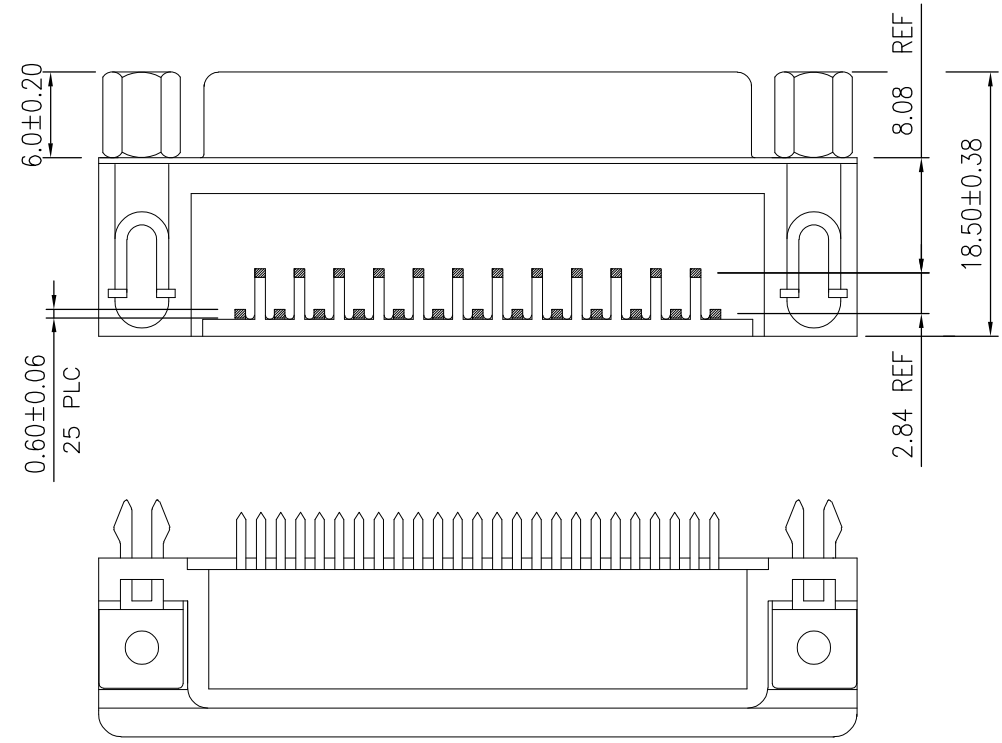


THIS DRAWING IS UNPUBLISHED. RELEASED FOR PUBLICATION
 © COPYRIGHT BY ALL RIGHTS RESERVED.

LOC	DIST	REVISIONS			
P	LTR	DESCRIPTION	DATE	DWN	APVD
DW		A1	REVISED PER ECO-11-005301	11APR11	RK HMR



- NOTES:
- MATERIAL:
 - HOUSING: PBT WITH 30% G.F., UL 94V-0, COLOUR: BLACK
 - CONTACTS: PHOSPHOR BRONZE
 - SHELL: SPCC
 - BOARDLOCKS: BRASS
 - RIVET: BRASS
 - SCREWLOCKS: BRASS, SCREW THREAD LENGTH: 6.0 MIN.
 - FINISH:
 - CONTACT: (SEE TABLE)
GOLD PLATING ON CONTACT AREA.
2.54µm[100µ"] MIN. MATTE-TIN ON SOLDER TAIL,
1.27µm[50µ"] MIN. NICKEL UNDERPLATED ON ENTIRE CONTACT.
 - BOARDLOCK:
2.54µm[100µ"] MIN. MATTE-TIN OVER 1.27µm[50µ"] MIN. NICKEL UNDERPLATED ON ENTIRE CONTACT.
 - SHELL: NICKEL PLATED
 - RIVET: NICKEL PLATED
 - SCREWLOCKS: NICKEL PLATED
 - NET WEIGHT: 14.1 gram/pc
 - THREADED INSERTS AND SCREWLOCKS MUST WITHSTAND 6 IN-LBS TORQUE.
 - DATE CODE: YYWW
 - WAVE SOLDER CAPABLE TO 265°C PER TE CONNECTIVITY SPEC. 109-202, CONDITION B.



OBSOLETE	0.38µm[15µ"]	1734349-2
	GOLD-FLASH	1734349-1
	CONTACT FINISH MIN.	PART NO.

THIS DRAWING IS A CONTROLLED DOCUMENT.		DWN J. LEE 17NOV2006																	
DIMENSIONS: MM		CHK S. HOU 17NOV2006																	
TOLERANCES UNLESS OTHERWISE SPECIFIED:		APVD W.J. KE 17NOV2006	NAME RECEPTACLE ASSEMBLY, 25 POSN, RIGHT ANGLE, 8.08mm[0.318in]																
<table border="0"> <tr><td>0 PLC</td><td>± -</td></tr> <tr><td>1 PLC</td><td>± 0.38</td></tr> <tr><td>2 PLC</td><td>± 0.25</td></tr> <tr><td>3 PLC</td><td>± 0.15</td></tr> <tr><td>4 PLC</td><td>± -</td></tr> <tr><td>ANGLES</td><td>± -</td></tr> </table>		0 PLC	± -	1 PLC	± 0.38	2 PLC	± 0.25	3 PLC	± 0.15	4 PLC	± -	ANGLES	± -	PRODUCT SPEC 108-57541	QUALIFICATION TEST REPORT 501-57623	SIZE A3	CAGE CODE 00779	DRAWING NO C=1734349	RESTRICTED TO -
0 PLC	± -																		
1 PLC	± 0.38																		
2 PLC	± 0.25																		
3 PLC	± 0.15																		
4 PLC	± -																		
ANGLES	± -																		
MATERIAL SEE NOTE		FINISH SEE NOTE	WEIGHT SEE NOTE	CUSTOMER DRAWING		SCALE -	SHEET 1 OF 2	REV A1											

4

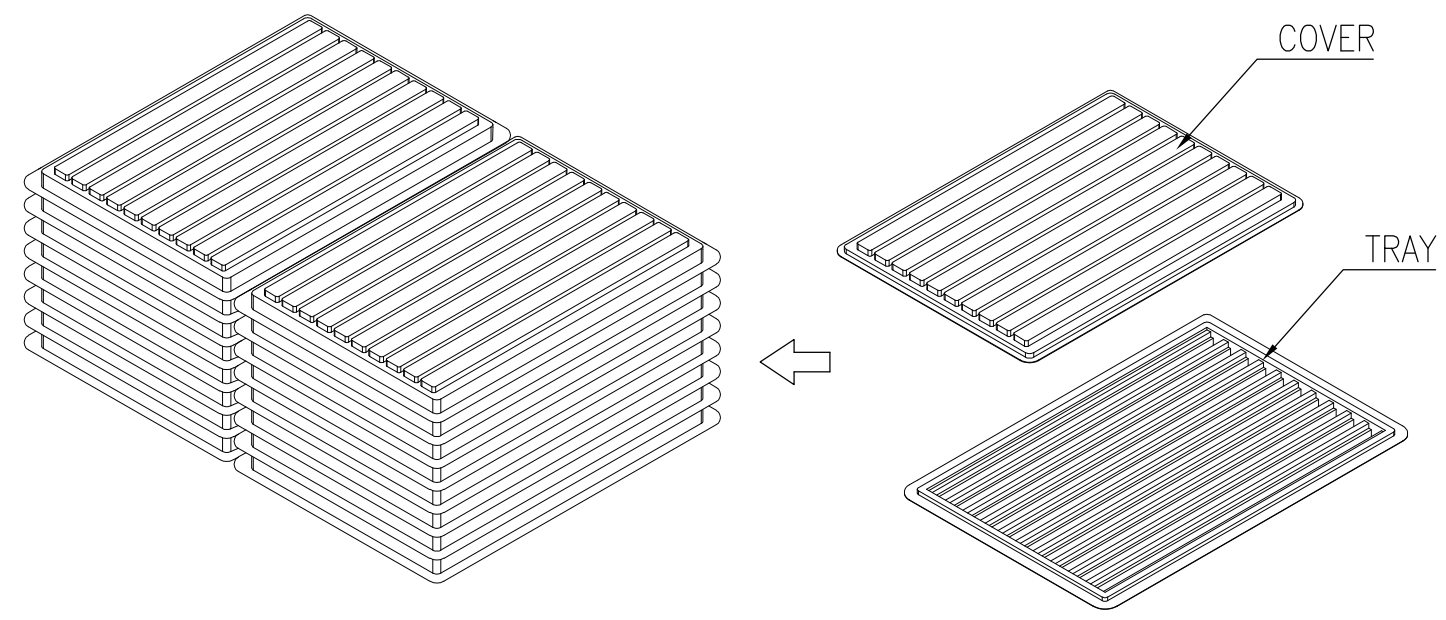
3

2

1

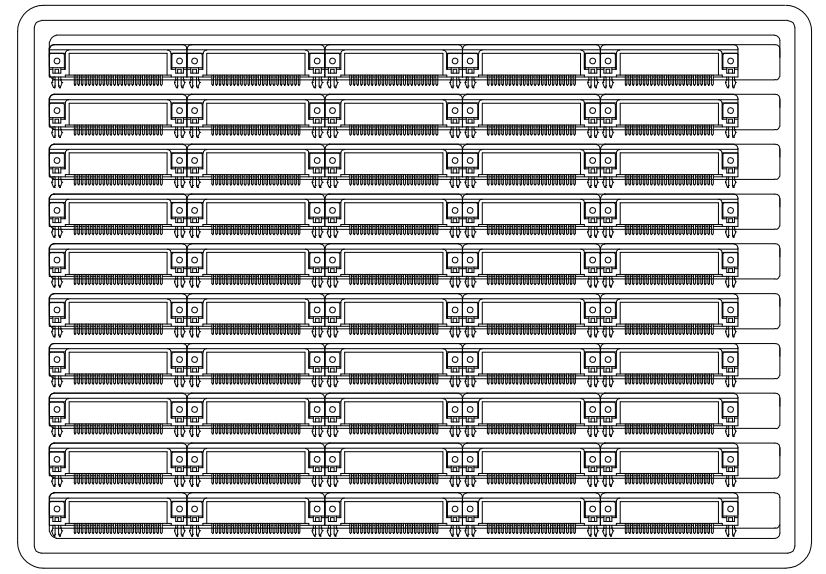
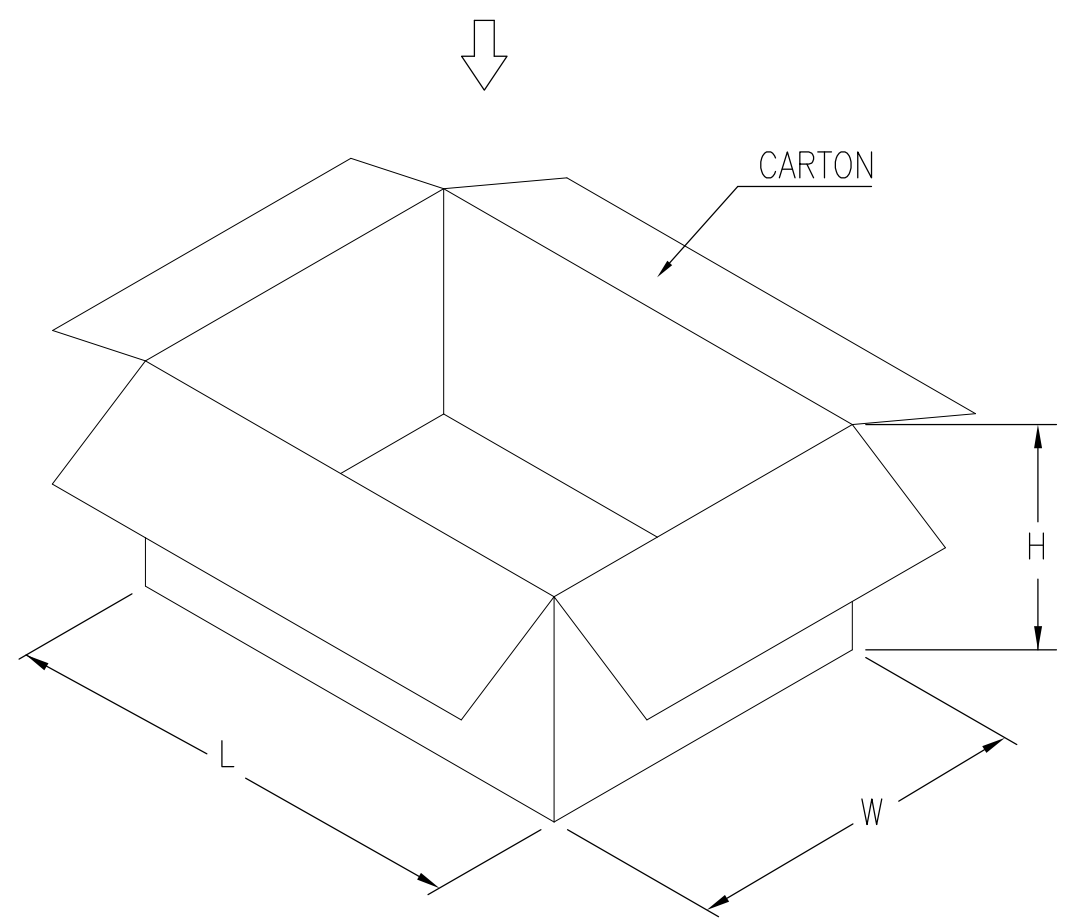
THIS DRAWING IS UNPUBLISHED. RELEASED FOR PUBLICATION - . - .
 © COPYRIGHT - BY - ALL RIGHTS RESERVED.

LOC	DIST	REVISIONS			
P	LTR	DESCRIPTION	DATE	DWN	APVD
		SEE SHEET 1.			



NOTES:

1. MATERIAL:
 - 1.1 TRAY: PVC
 - 1.2 SHIPPING CARTON: CORRUGATED FIBERBOARD
2. DIMENSION:
 - 2.1 TRAY: L=306, W=217, H=15
 - 2.2 SHIPPING CARTON: L=440, W=321, H=210
3. QUANTITY:
 - 3.1 PRIMARY PACKING: 50 PCS/TRAY
 - 3.2 SECONDARY PACKING: 16 TRAY/CARTON (800PCS)
4. CARTON WEIGHT:
 - 4.1 NET WEIGHT: 11.3 KG
 - 4.2 GROSS WEIGHT: 12.8 KG



THIS DRAWING IS A CONTROLLED DOCUMENT.		DWN	-		
		CHK	-		
		APVD	-		
		PRODUCT SPEC	-		
		APPLICATION SPEC	-		
		WEIGHT	-		
		CUSTOMER DRAWING	-		
		SCALE	-		
		SHEET	2 OF 2		REV A1

DIMENSIONS:		TOLERANCES UNLESS OTHERWISE SPECIFIED:		DWN		-	
MM				CHK		-	
		0 PLC	± -	APVD		-	
		1 PLC	± -	PRODUCT SPEC		-	
		2 PLC	± -	APPLICATION SPEC		-	
		3 PLC	± -	WEIGHT		-	
		4 PLC	± -	CUSTOMER DRAWING		-	
MATERIAL		FINISH		SIZE		CAGE CODE	
-		-		A3		00779	
				DRAWING NO		RESTRICTED TO	
				C=1734349		-	



RECEPTACLE ASSEMBLY,
 25 POSN, RIGHT ANGLE,
 8.08mm[0.318in]