

CODE 22 - LOW PROFILE HEAT SHRINK BOOT BACKSHELL

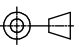

203M416-19A

SERIES _____
 ORDER NUMBER (TABLE 1) _____
 MATERIAL _____
 REFER TO CH00-0250-004
 FINISH _____
 REFER TO CH00-0250-004

NOTES:

1. THIS PRODUCT IS DESIGNED TO TERMINATE A HEAT SHRINKABLE LIPPED BOOT TO A CONNECTOR
2. BACKSHELL TO BE PERMANENTLY MARKED/BAGGED AND LABELLED WITH CODE IDENTIFICATION NUMBER AND PART NUMBER. (e.g. 06090-203M416-19A).
3. FOR ADDITIONAL DIMENSIONS, ORDERING INFORMATION AND MODIFICATIONS, SEE CH00-0250-004.
4. KNURL INSIDE BOOT GROOVE MAY BE SUPPLIED AT MANUFACTURER'S OPTION.

⑤ SHELL SIZE FOR BENDIX PTXXCE SERIES CONNECTORS.

DRAWN	K.WINCZURA	DATE 02/11/2015	 3RD ANGLE PROJECTION NOT TO SCALE	TITLE:	
CHECKED		02/11/2015		LOW PROFILE HEAT SHRINK BOOT BACKSHELL	
APPROVED	K.SHEPPARD	06/11/2015	UNLESS OTHERWISE SPECIFIED ALL DIMENSIONS IN MILLIMETRES GENERAL TOL LINEAR +/-0.25MM ANGULAR +/- 1°	ASSY USED ON:	
APPROVED	H.SMITH	16/11/2015		BENDIX PTXXCE SERIES CONNECTORS	
REVISIONS					
LTR	DESCRIPTION	DATE	APPROVED		
B	REVISED PER ECN NO. 17359	28/04/1992	G.L.D.		
C	REVISED PER ECO-15-016466	16/11/2015	H.SMITH		
TE CAGE CODE: 06090 POLAMCO/TE CAGE CODE: U5792				TE CONNECTIVITY - POLAMCO LTD RESERVES THE RIGHT TO AMEND THIS DRAWING AND THE INFORMATION SET FORTH HEREON AT ANY TIME. USERS SHOULD INDEPENDENTLY EVALUATE THE SUITABILITY OF THE PRODUCT FOR THEIR APPLICATION.	DRAWING NO: 203M4XX
				DRAWING REV:	SHT
				C	1

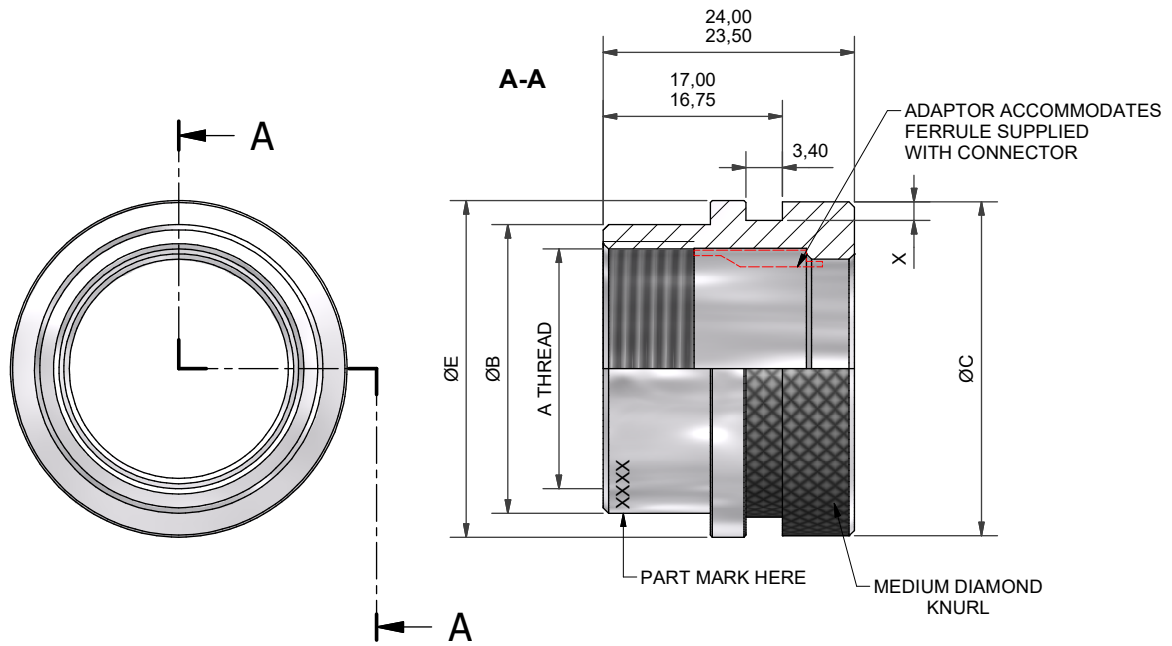


TABLE 1

ORDER NUMBER	SHELL SIZE ⑤	A THREAD	ØB	ØC	X +0,20/-0,00	ØE
08	8	7/16-28UNEF	14,50	17,25	1,12	19,00
10	10	9/16-24UNEF	17,50	20,50	1,12	22,00
12	12	11/16-24UNEF	20,50	23,75	1,12	25,50
14	14	13/16-20UNEF	23,50	26,75	1,12	28,50
16	16	15/16-20UNEF	27,00	31,25	1,75	31,50
18	18	1 1/16-18UNEF	30,00	32,75	1,75	35,00
20	20	1 3/16-18UNEF	33,00	36,00	1,75	38,00
22	22	1 5/16-18UNEF	36,50	39,25	1,75	41,00
24	24	1 7/16-18UNEF	39,50	42,50	1,75	44,50

DRAWN	K.WINCZURA	DATE	02/11/2015
CHECKED		DATE	02/11/2015
APPROVED	K.SHEPPARD	DATE	06/11/2015
APPROVED	H.SMITH	DATE	16/11/2015

3RD ANGLE PROJECTION NOT TO SCALE

UNLESS OTHERWISE SPECIFIED ALL DIMENSIONS IN MILLIMETRES

GENERAL TOL
LINEAR +/-0,25MM
ANGULAR +/- 1°

REVISIONS

LTR	DESCRIPTION	DATE	APPROVED
B	REVISED PER ECN NO. 17359	28/04/1992	G.L.D.
C	REVISED PER ECO-15-016466	16/11/2015	H.SMITH

TITLE:

LOW PROFILE HEAT SHRINK BOOT BACKSHELL

ASSY USED ON:

BENDIX PTXXCE SERIES CONNECTORS



TE CONNECTIVITY - POLAMCO LTD RESERVES THE RIGHT TO AMEND THIS DRAWING AND THE INFORMATION SET FORTH HEREON AT ANY TIME. USERS SHOULD INDEPENDENTLY EVALUATE THE SUITABILITY OF THE PRODUCT FOR THEIR APPLICATION.

DRAWING NO:
203M4XX

DRAWING REV:
C

SHT
2

TE CAGE CODE: 06090
POLAMCO/TE CAGE CODE: U5792