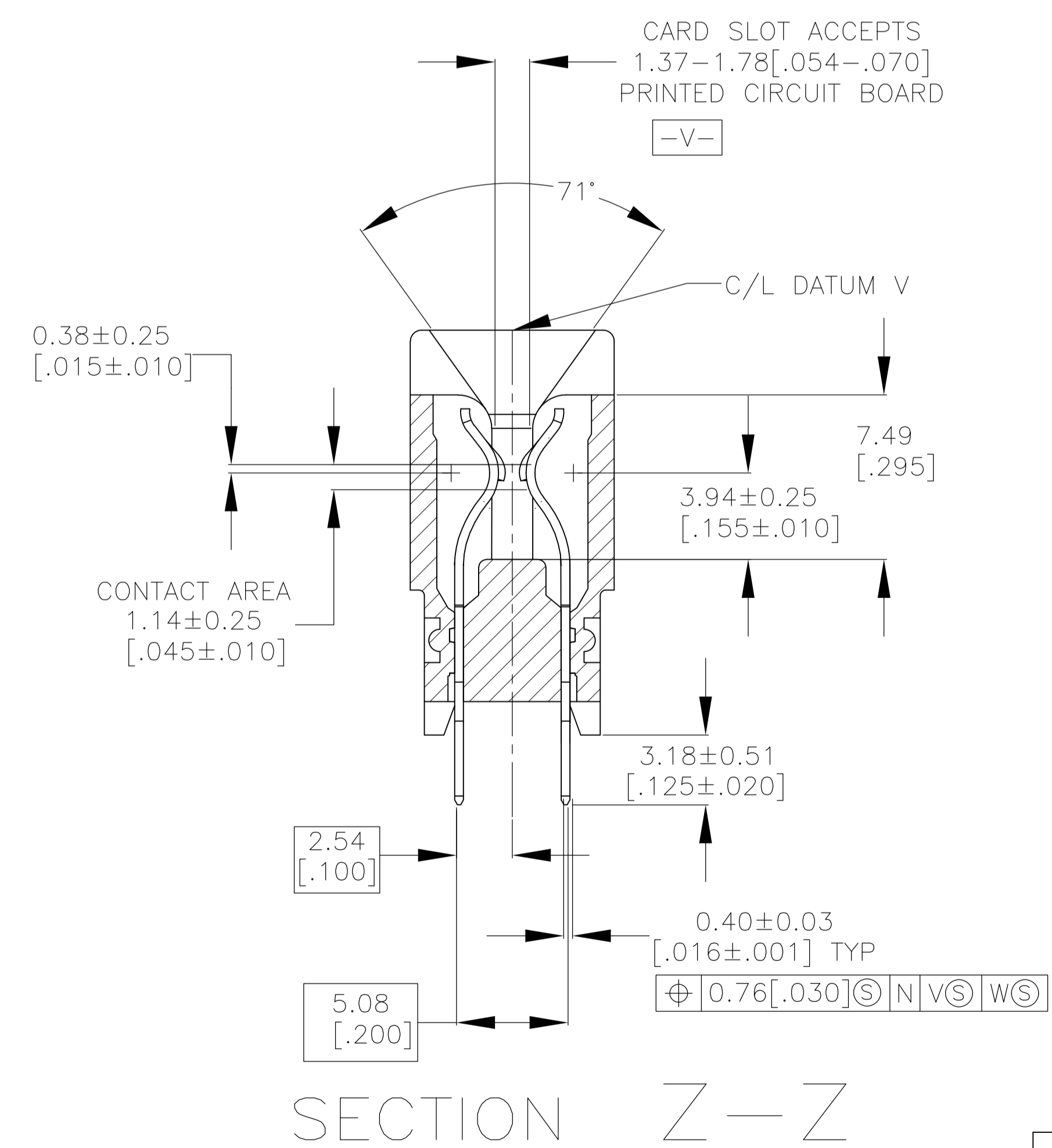
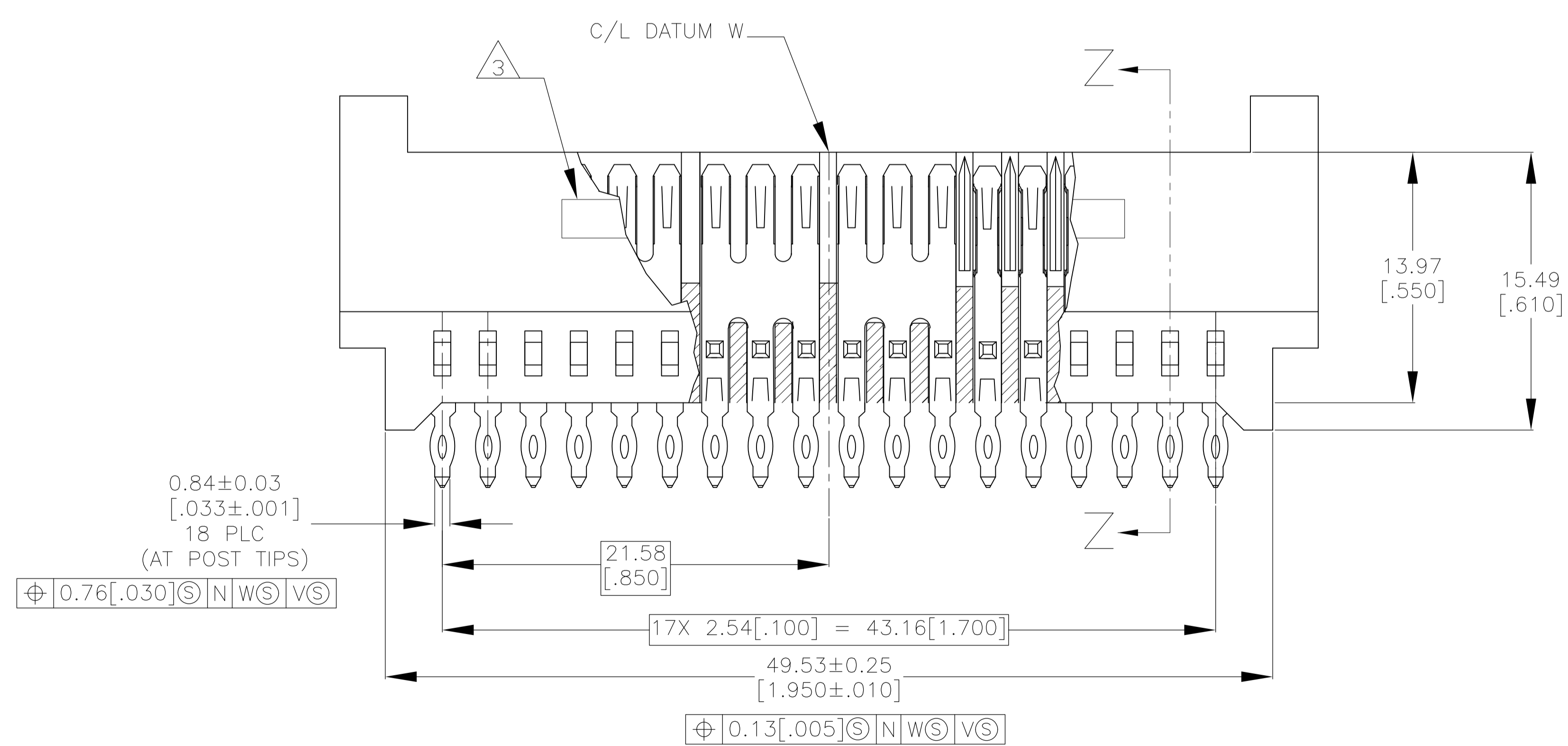


- HOUSING: GLASS FILLED POLYESTER, BLACK, IR REFLOW COMPATIBLE  
CONTACT: HIGH CONDUCTIVITY COPPER ALLOY.
- NICKEL PLATE .00127 [0.00050] MIN - ALL OVER.  
MATTE TIN PLATE .00254 [0.00100] MIN - SOLDER POSTS.  
GOLD PLATE .00038 [0.00015] MIN - IN MATING AREA.
- TYCO ELECTRONICS PART NUMBER, AND DATE CODE MARKED IN APPROXIMATE AREA SHOWN, EITHER SIDE.
- DATUMS AND BASIC DIMENSIONS ESTABLISHED BY CUSTOMER.
- RECOMMENDED FINISHED HOLE SIZES
 

TIN PLATED HOLE	$\phi 1.02 \pm 0.08$ [0.040 ± .003]
GOLD PLATED HOLE	$\phi 1.07 \pm 0.05$ [0.042 ± .002]
- QUALIFICATION TESTING HAS NOT BEEN COMPLETED.
- CIRCUIT ENDS, ALONG THE EDGE OF THE MATING BOARD, SHOULD ALSO BE CHAMFERED AND BURR FREE.



6	4	1761786-1
NO OF INDIVIDUAL POSITIONS	NO OF MULTIPLE POSITIONS	PART NUMBER

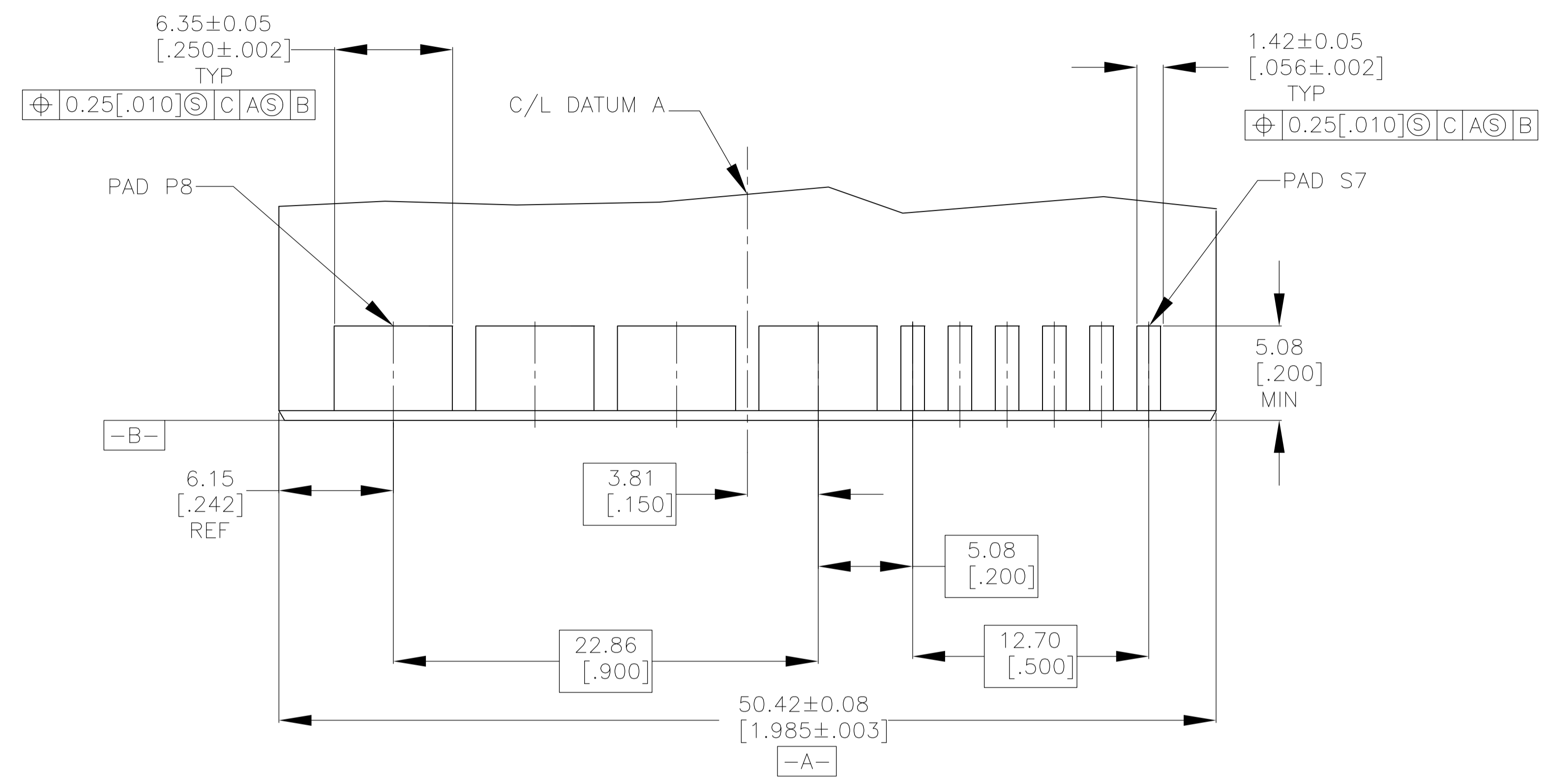
THIS DRAWING IS A CONTROLLED DOCUMENT.

DIMENSIONS:	TOLERANCES UNLESS OTHERWISE SPECIFIED:	APVD: S. FLICKINGER	DATE: 11 JUL 2006	NAME:
MM (INCHES)	0 PLC ± -	1 PLC ± -	2 PLC ± 0.13 [0.005]	3 PLC ± -
	4 PLC ± -	ANGLES ± °		
MATERIAL: SEE NOTE 1	FINISH: SEE NOTE 2	WEIGHT: -	SIZE: A1	CAGE CODE: 00779
			DRAWING NO: 1761786	RESTRICTED TO: -
			CUSTOMER DRAWING	SCALE: 5:1

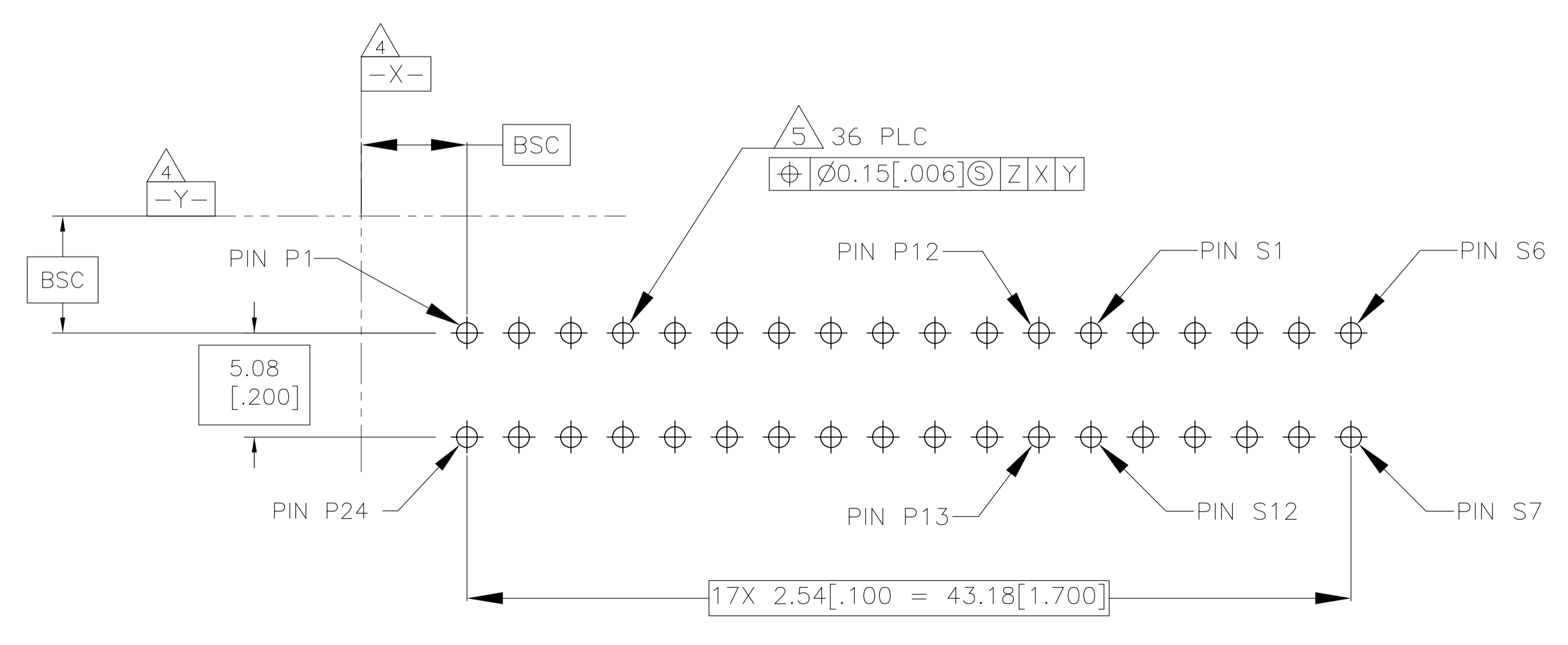
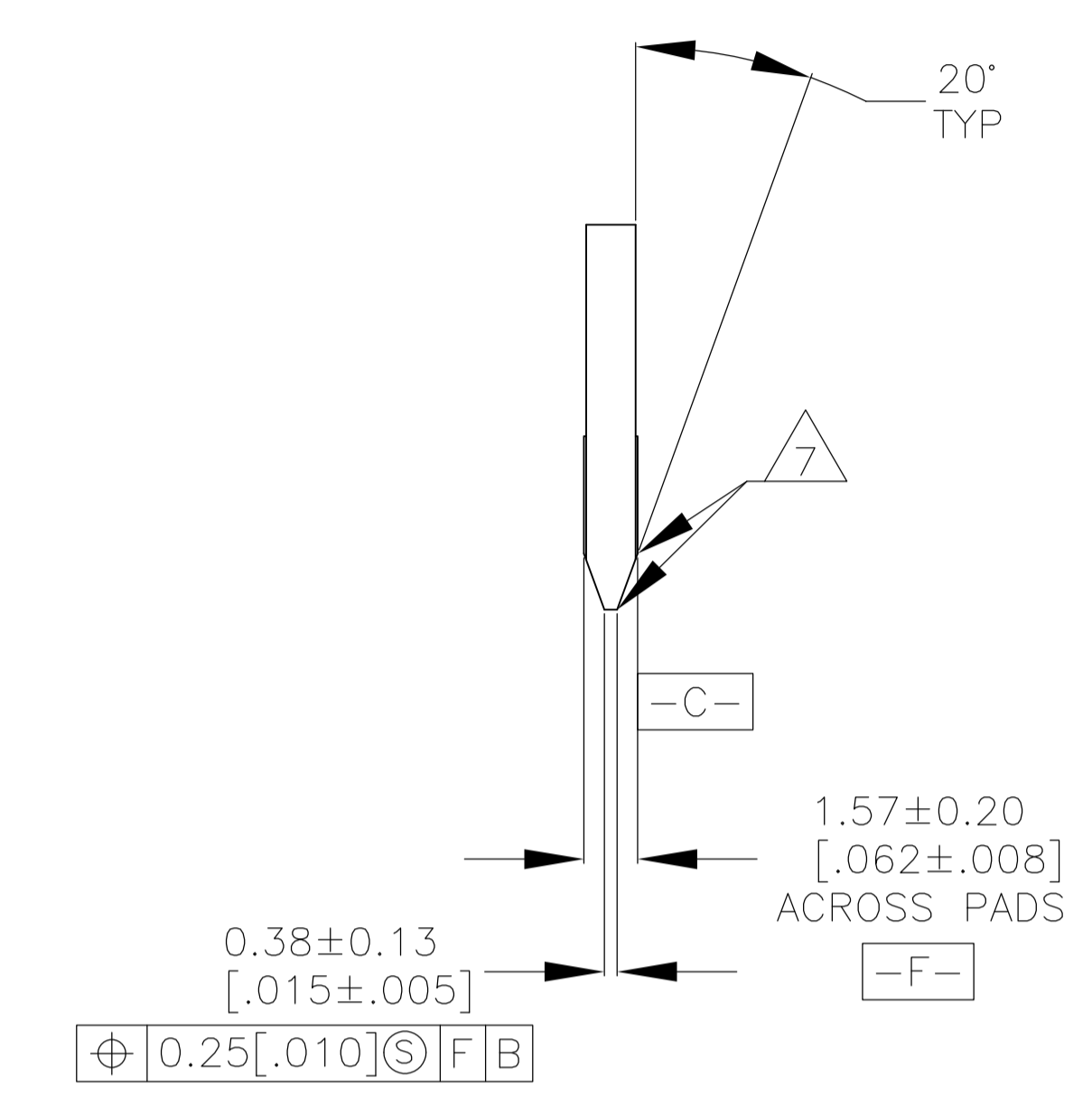
Tyco Electronics Corporation  
 Middletown, PA 17057

CONNECTOR ASSEMBLY,  
 SEC II POWER, DUAL POSITION,  
 2.54 [0.100] CENTERLINE, CARD EDGE

1 OF 2 SHEETS



RECOMMENDED MATING BOARD EDGE CONFIGURATION  
TYP BOTH SIDES



RECOMMENDED PC BOARD HOLE LAYOUT

THIS DRAWING IS A CONTROLLED DOCUMENT.		DN AL FRANTUM 08 FEB 05	Tyco Electronics Corporation Middletown, PA 17057	
DIMENSIONS: MM (INCHES)		CHK AL FRANTUM 09 FEB 05	NAME	
TOLERANCES UNLESS OTHERWISE SPECIFIED:		APVD S FLICKINGER 11 JUL 2006	PRODUCT SPEC	
0 PLC ± -		APPLICATION SPEC		
1 PLC ± -		SIZE CASE CODE DRAWING NO		
2 PLC ± 0.25[.010]		A1 00779 C=1761786		
3 PLC ± -		RESTRICTED TO		
4 PLC ± -		WEIGHT		
ANGLES ± °		CUSTOMER DRAWING		
MATERIAL SEE PAGE 1		FINISH SEE PAGE 1		SCALE 5:1 SHEET 2 OF 2 REV C