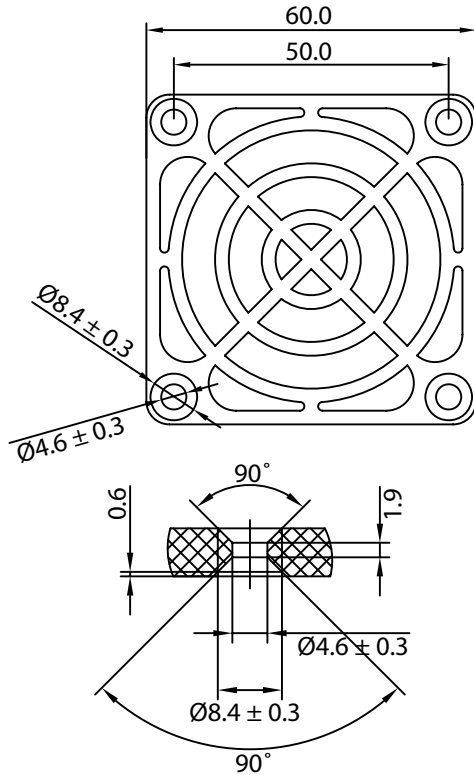


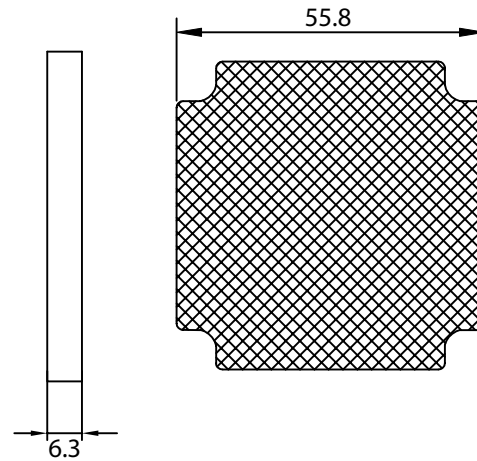
THESE DRAWINGS ARE THE PROPERTY OF QUALTEK ELECTRONICS AND NOT TO BE REPRODUCED FOR OR COMMUNICATED TO A THIRD PARTY WITHOUT THE EXPRESS WRITTEN PERMISSION OF AN OFFICER OF QUALTEK ELECTRONICS.

REVISION			
REV.	DESCRIPTION	DATE	APPROVED
B	RoHS Compliancy	06-01-06	DP
C	Updated Graphics and Dimensions	05-21-10	LY
D	Added Hole Dimensions	08-19-10	LY

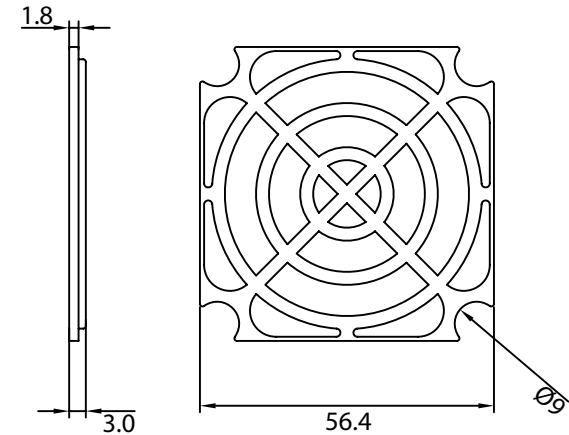
### FAN GUARD



### MEDIA



### RETAINER



#### NOTES:

MEDIA\* AVAILABLE IN:

XX=30 PPI \*\*

45 PPI \*\*

60 PPI \*\*

100 PPI \*\*

\* UL 900 CLASS II

\*\* Pores Per Inch

RoHS COMPLIANT

**CONTROLLED**

Dim range (mm)	Tolerance +/- (mm)	Qualtek Electronics Corp. FAN-S DIVISION		
		Part Number:	09250-F/XX	RoHS Compliant
0-5	0.1	Description: PLASTIC FAN FILTER ASSEMBLY		
5-16	0.15		UNIT: mm	REV: D
16-64	0.2		Checked / Date	Approved / Date
64-250	0.4	Drawn / Date		
250-1000	0.5	B.ZHANG 10-10-02	10-10-02	JJH / 10-10-02
1000-1500	1.0			