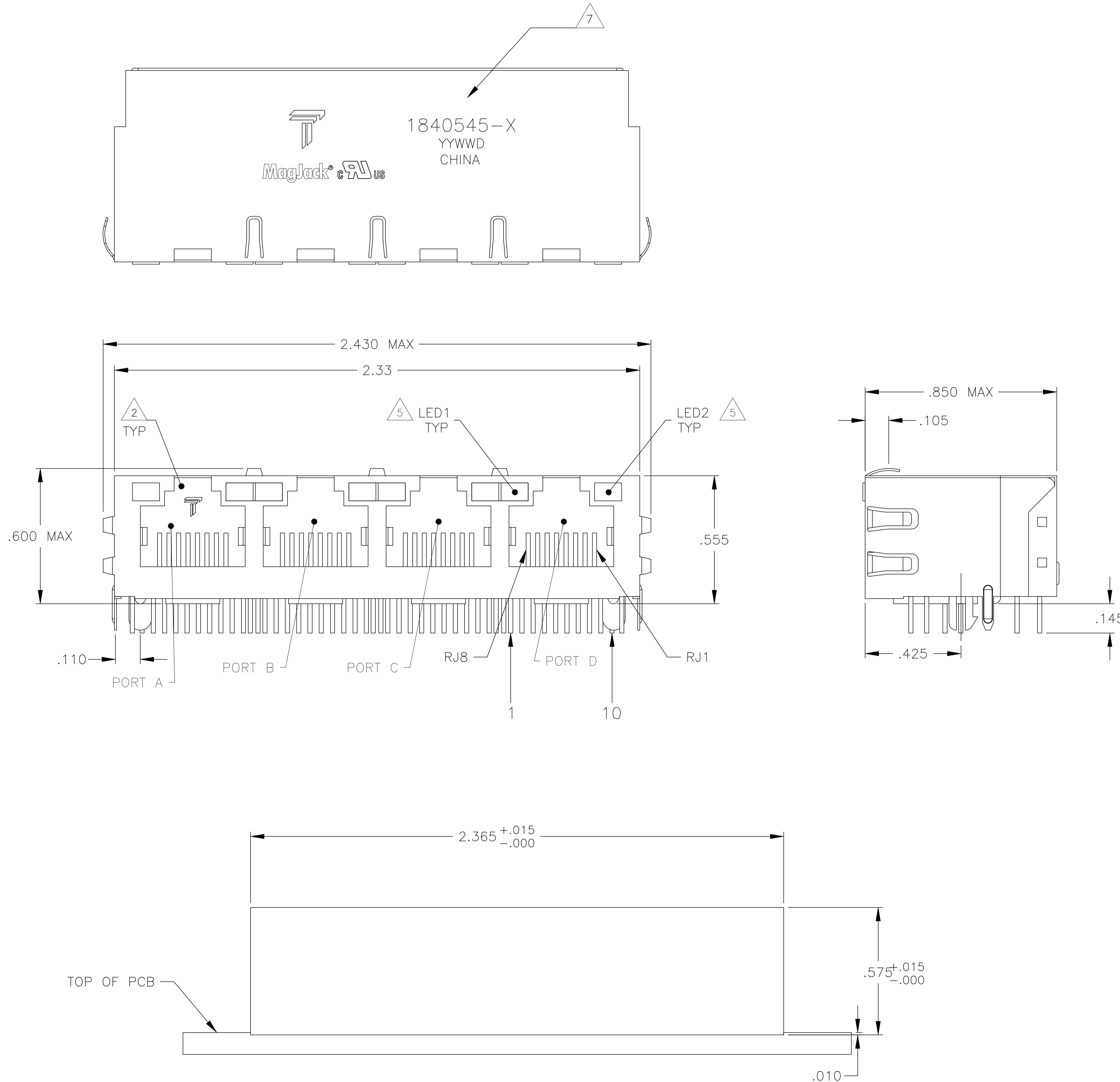


THIS DRAWING AND THE SUBJECT MATTER SHOWN THEREON ARE CONFIDENTIAL AND THE PROPERTY OF BEL/STEWART/TRP CONNECTOR AND SHALL NOT BE REPRODUCED, COPIED, OR USED IN ANY MANNER WITHOUT THE WRITTEN CONSENT OF TRP CONNECTOR.

PRODUCT MAY BE PROTECTED BY ONE OR MORE OF THE FOLLOWING US PATENTS:
 5736910 5939955 6425781 6428361 6554638 6840817 7123117
 7429195 7717749 7808751 6217391 6149050 7924130

REVISIONS					
P	LTR	REV	DESCRIPTION	DATE	APP'D
G			EC-1411035 COMPANY LOGO CHANGE	29DEC2014	RT TL

MECHANICAL:



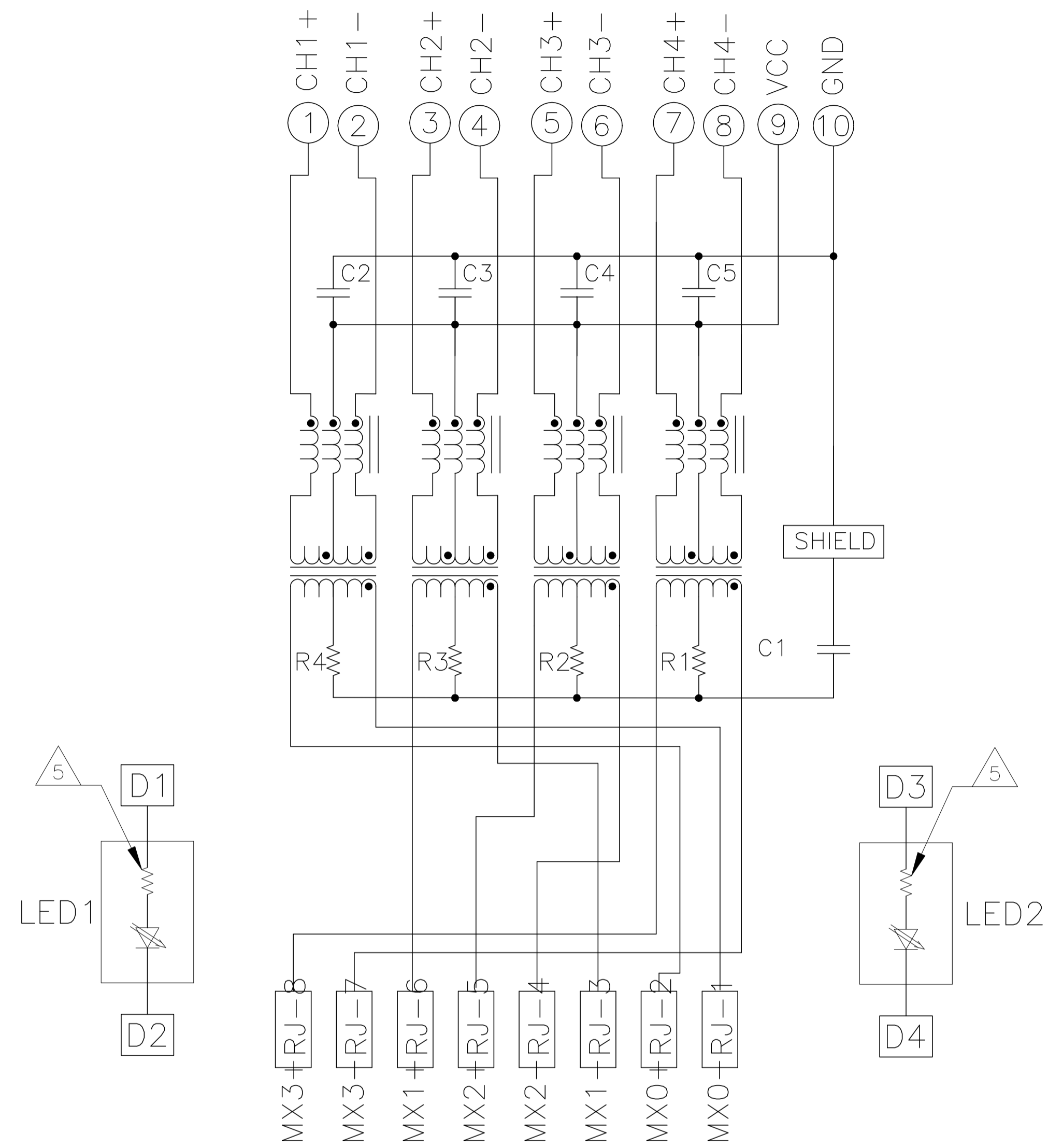
1X4 SUGGESTED PANEL CUTOUT

1. MATERIALS:
 -HOUSING - THERMOPLASTIC PET POLYESTER FLAMMABILITY RATING UL 94V-0.
 -SHIELD - .010" THICK, C26800 BRASS PREPLATED WITH 30μINCH MIN SEMI-BRIGHT NICKEL. SOLDER TABS POST DIPPED WITH 100μINCH MIN SAC SOLDER.
 -MOD JACK CONTACTS - 0.0157 X 0.018" PHOSPHOR BRONZE, 50μINCH MIN OVERALL NICKEL UNDERPLATE WITH SELECT 50μINCH MIN HARD GOLD FINISH PLATE. SOLDER TABS WITH 100μINCH MIN MATTE TIN AND/OR SAC SOLDER DIP.
 -LIGHT EMITTING DIODE(LED) - DIFFUSED EPOXY LENS, .020" X .020" CARBON STEEL WIREFRAME LEADS PRE-PLATED WITH 80μINCH SILVER OVER 40μINCH NICKEL UNDERPLATE OVER 40μINCH COPPER UNDERPLATE. POST-PLATED WITH 100μIN MIN MATTE TIN AND/OR SAC SOLDER DIP OR PURE TIN SOLDER DIP.
2. RJ45 JACK CAVITY CONFORMS TO FCC RULES AND REGULATIONS PART 68, SUB PART F.
3. MAGNETICS
 -APPLICATION: 10/100/1000 BASE-T
 -IMPEDANCE: 100 OHMS
 -TURNS RATIO (CHIP-CABLE): 1:1 ALL FOUR PAIRS
 -OPEN CIRCUIT INDUCTANCE (OCL): 350uH MIN @100kHz, 0.1VRMS, 8mADC BIAS FROM 0°C TO 70°C, ALL FOUR PAIRS
 -ALL FOUR PAIRS BI-DIRECTIONAL
 -PERFORMANCE @ 25°C:
 INSERTION LOSS (IL): 1.1dB MAX FROM 0.5MHz TO 100MHz
 RETURN LOSS (RL): 18dB MIN FROM 0.5MHz TO 40MHz
 12-20LOG(f/80)dB MIN FROM 40.1MHz TO 100MHz
 CROSSTALK ATTENUATION: 35dB MIN FROM 0.5MHz TO 40MHz
 33-20LOG(f/50)dB MIN FROM 40.1MHz TO 100MHz
 COMMON MODE REJECTION RATIO (CMRR): 30dB MIN FROM 0.5MHz TO 100MHz
 -ISOLATION VOLTAGE: COMPLIES WITH IEEE802.3 2002, PARA 40.6.1.1, ITEM b.
4. OPERATING TEMPERATURE: FROM 0°C TO +70°C.
5. THE 250 OHM LED RESISTORS ARE OPTIONAL, PLEASE SEE CHART FOR PRESENCE OR ABSENCE OF LED RESISTORS. IF THE LED WITHOUT 250 OHM RESISTORS, LED IS DRIVEN WITH CONSTANT CURRENT AT APPROX 20mA.
 LED COLOR: DOMINANT WAVELENGTH (λD): GREEN 568 nm TYP. at IF=20mA
 FORWARD VOLTAGE (VF): GREEN 2.2V TYP. at IF=20mA
 DOMINANT WAVELENGTH (λD): YELLOW 588 nm TYP. at IF=20mA
 FORWARD VOLTAGE (VF): YELLOW 2.1V TYP. at IF=20mA
 DOMINANT WAVELENGTH (λD): ORANGE 605 nm TYP. at IF=20mA
 FORWARD VOLTAGE (VF): ORANGE 2.05V TYP. at IF=20mA
 ONLY FOR 6-1840545-6: DOMINANT WAVELENGTH (λD): GREEN 525 nm TYP. at IF=20mA
 FORWARD VOLTAGE (VF): GREEN 2.8V TYP. at IF=20mA
- IF THE LED WITH 250 OHM RESISTORS, LED IS DRIVEN WITH 5V VOLTAGE AND THE MAX OPERATING CURRENT IS 20mA.
 LED COLOR : DOMINANT WAVELENGTH (λD): GREEN 568 nm TYP. At VF=5V
 FORWARD CURRENT (IF): GREEN 12 mA TYP. at VF=5V
 DOMINANT WAVELENGTH (λD): YELLOW 588 nm TYP. At VF=5V
 FORWARD CURRENT (IF): YELLOW 13 mA TYP. at VF=5V
6. THE MAGNETICS ARE SYMMETRICAL TO SUPPORT AUTO-MDI/MDIX.
7. TRP CONNECTOR LOGO, PART NUMBER, DATE CODE, COUNTRY OF ORIGIN AND AGENCY APPROVAL MARKING IN APPROXIMATE LOCATION SHOWN.
8. THESE PARTS ARE RECOMMENDED FOR WAVE SOLDERING PROCESS, PREHEAT TEMPERATURE IS 120°C TO 160°C, 120 SECONDS TO 180 SECONDS, PEAK WAVE SOLDERING TEMPERATURE IS 260°C MAX, 10 SECONDS MAX.

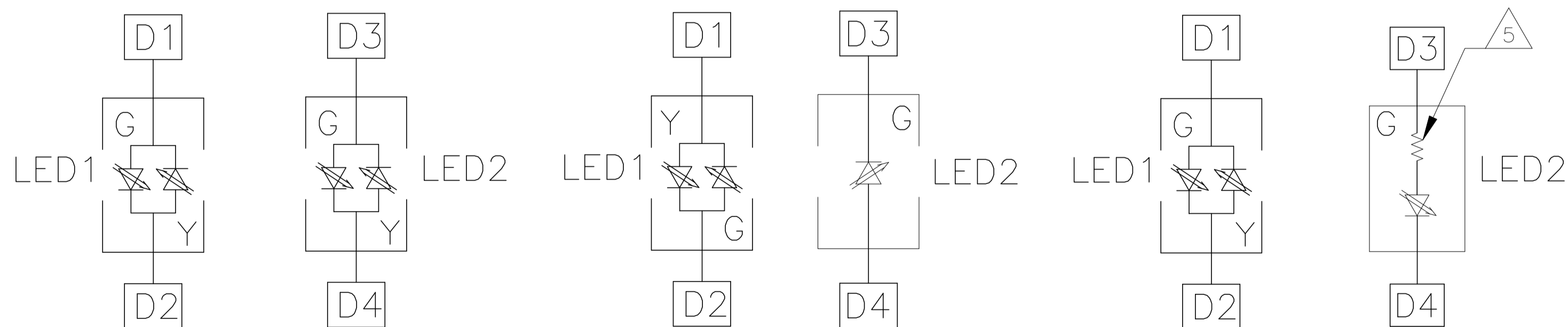
	GREEN/YELLOW	NO	GREEN/YELLOW	NO	6-1840545-6
OBSOLETE	GREEN	YES	GREEN	YES	1-1840545-1
OBSOLETE	YELLOW	NO	YELLOW	NO	1-1840545-0
	YELLOW	NO	GREEN	NO	1840545-9
	GREEN	NO	YELLOW	NO	1840545-8
OBSOLETE	GREEN	NO	GREEN	NO	1840545-7
	GREEN/YELLOW	NO	GREEN/YELLOW	NO	1840545-6
	GREEN/YELLOW	NO	GREEN	NO	1840545-5
OBSOLETE	GREEN/YELLOW	NO	GREEN	YES	1840545-4
OBSOLETE	YELLOW	YES	YELLOW	YES	1840545-3
OBSOLETE	YELLOW	YES	GREEN	YES	1840545-2
	GREEN	YES	YELLOW	YES	1840545-1
	LED 1	250 OHMS RESISTOR	LED 2	250 OHMS RESISTOR	PART NUMBER

THIS DRAWING IS A CONTROLLED DOCUMENT.		DWN RANDY QU 30JAN2008		trp CONNECTOR DONGGUAN CHINA	
DIMENSIONS: INCHES		TOLERANCES UNLESS OTHERWISE SPECIFIED:			
0. PLC ± .010 1. PLC ± .010 2. PLC ± .010 3. PLC ± .010 4. PLC ± .010 ANGLES ± .010		RANDY QU 30JAN2008 KEITH ZHU 30JAN2008 TEDDY XIONG		MODEL NAME MAGJACK GANG NON-POE	
PRODUCT SPEC 108-2100		APPLICATION SPEC -		DESC 1X4 7G57 GIGABIT TAB UP W/ LED SIZE A1 CAGE CODE DRAWING NO. 1840545 RESTRICTED TO - CUSTOMER DRAWING SCALE NTS SHEET 1 OF 2 REV G	

7G57 GIGABIT CIRCUIT 



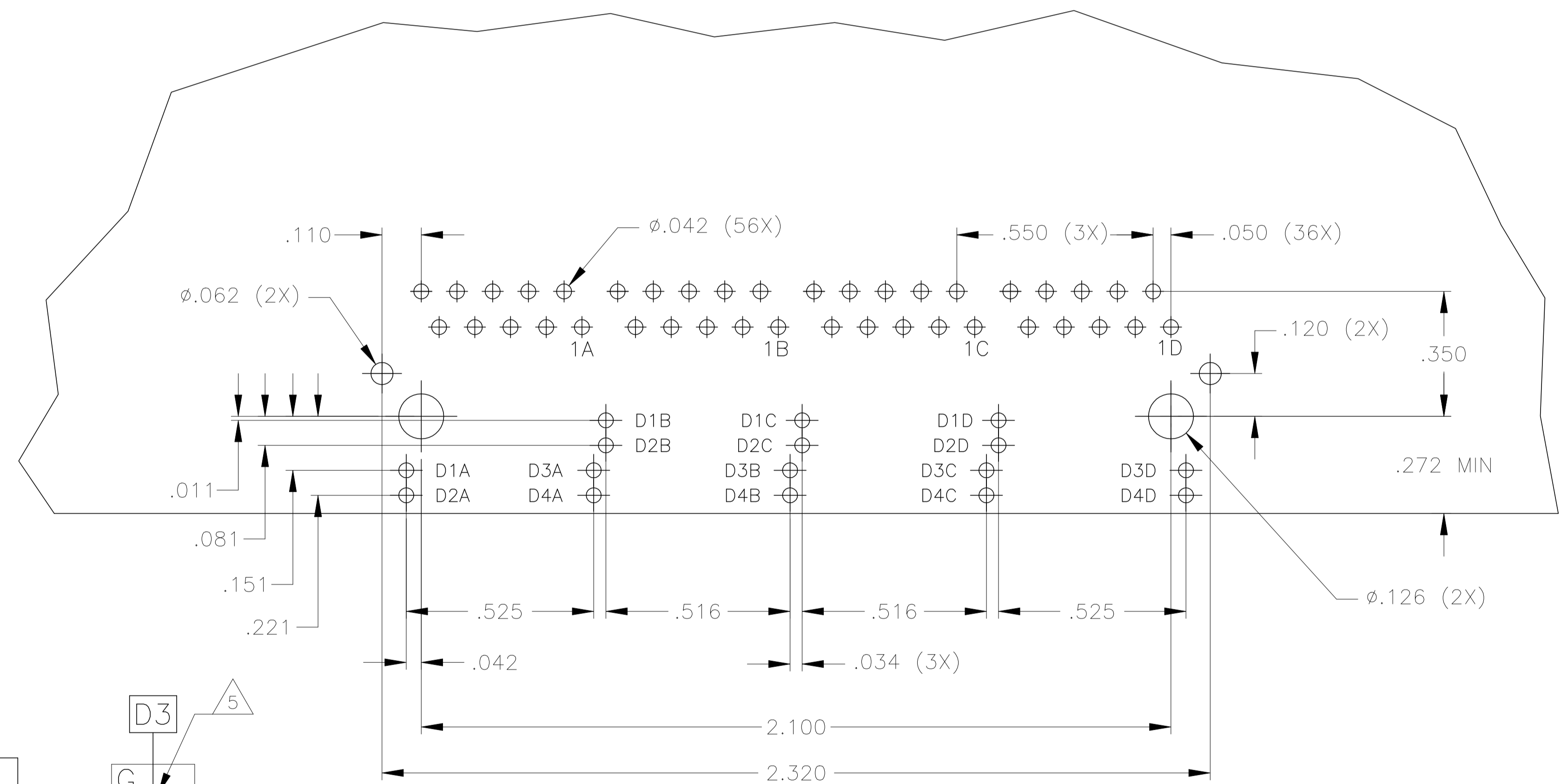
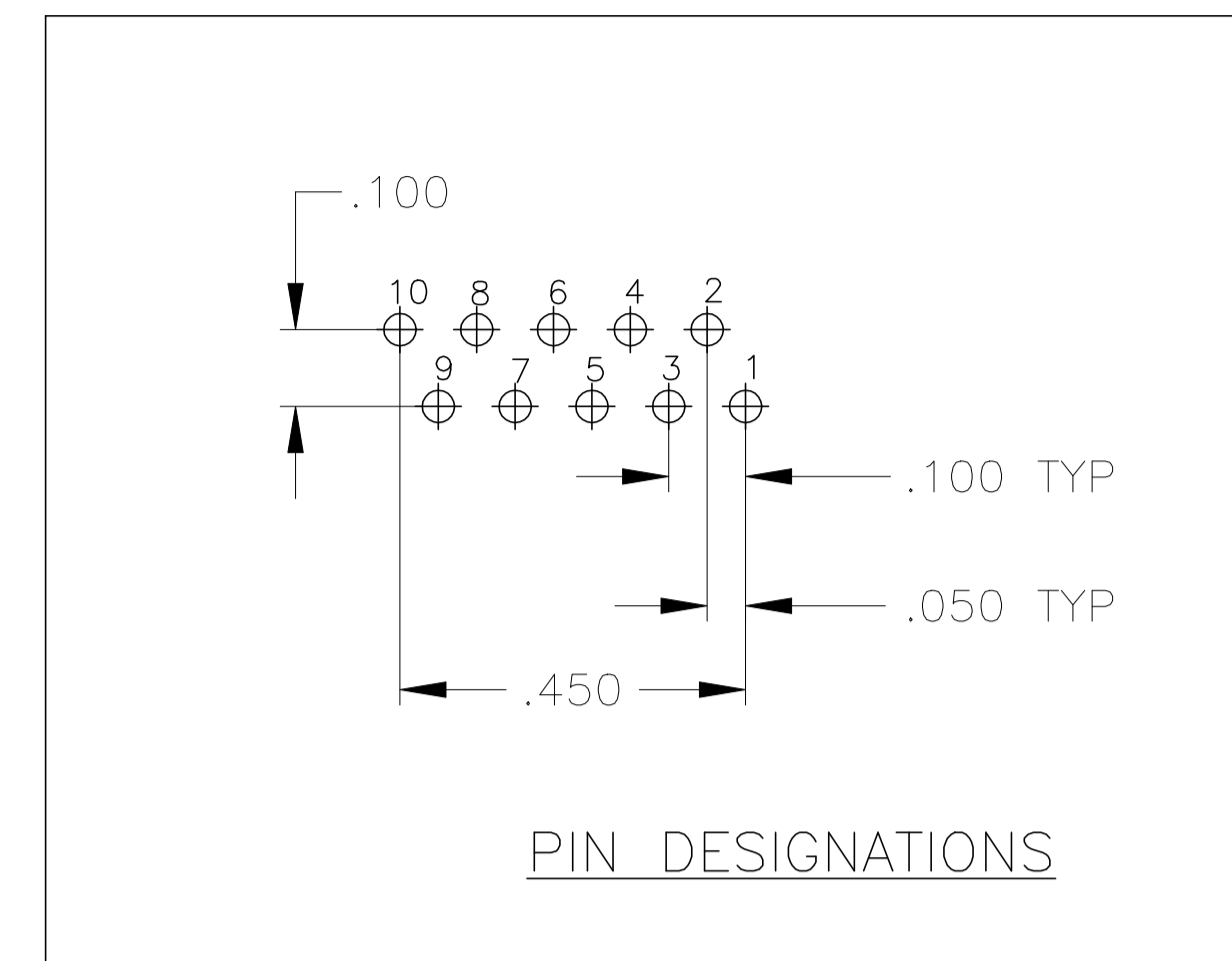
R1-R4=75 OHMS, 1/16W RESISTORS
 C1=1000 pF, 2kV DECOUPLING CAPACITOR
 C2-C5=0.1uF, 50V, X7R CAPACITORS




LED CONFIGURATION
 ONLY FOR
 1840545-6
 AND 6-1840545-6

LED CONFIGURATION
 ONLY FOR
 1840545-5

LED CONFIGURATION
 ONLY FOR
 1840545-4



SUGGESTED PCB LAYOUT
 (Component Side)

THIS DRAWING IS A CONTROLLED DOCUMENT.		DWN RANDY QU 30JAN2008			DONGGUAN CHINA
DIMENSIONS: INCHES		CHK KEITH ZHU 30JAN2008			
TOLERANCES UNLESS OTHERWISE SPECIFIED:		APVD TEDDY XIONG 30JAN2008		DESC 1X4 7G57 GIGABIT TAB UP W/ LED	
0. PLC ± .010		MODEL NAME MAGJACK		SIZE A1	
1. PLC ± .010		GANG NON-POE		CAGE CODE	
2. PLC ± .010		DRAWING NO. 1840545		RESTRICTED TO	
3. PLC ± .010		CUSTOMER DRAWING		SCALE NTS	
4. PLC ± .010		SHEET 2 OF 2		REV G	
ANGLES ±		SCALE NTS		SHEET 2 OF 2	
APPLICATION SPEC -		SCALE NTS		SHEET 2 OF 2	