

Thermofit[®] Molded Parts

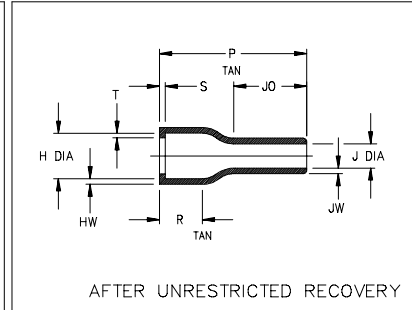
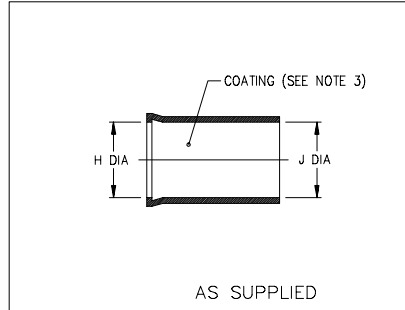
Specification Control Drawing

Limited Distribution

Part Number : 202D2XX-X-08
 Description : Boot, Straight, With Lip

NOTES

- All dimensions are in $\frac{\text{inches}}{\text{millimeters}}$
- Dimensions appearing in table are as follows:
 - a - As Supplied
 - b - After Unrestricted Recovery
- Coating is optional. As supplied dimensions appearing in table are for uncoated parts. When coating is added, entry diameters will be reduced by .06 max.



PART NUMBER	H		J		P ±10%	JO ±10%	R Ref	S Ref	T Ref	HW ±20%	JW ±20%
	Min a	Max b	Min a	Max b							
202D211-X-08	.88 [22,4]	.45 [11,4]	.88 [22,4]	.25 [6,4]	1.82 [46,2]	1.05 [26,6]	.46 [11,7]	.12 [3,0]	.04 [1,0]	.06 [1,52]	.045 [1,14]
202D221-X-08	1.01 [25,7]	.59 [15,0]	1.01 [25,7]	.29 [7,4]	1.55 [39,3]	.66 [16,7]	.48 [12,2]	.12 [3,0]	.04 [1,0]	.06 [1,52]	.045 [1,14]
202D232-X-08	1.16 [29,5]	.74 [18,8]	1.16 [29,5]	.33 [8,4]	1.65 [41,9]	.63 [16,0]	.48 [12,2]	.12 [3,0]	.04 [1,0]	.07 [1,78]	.045 [1,14]
202D242-X-08	1.34 [34,0]	.90 [22,9]	1.34 [34,0]	.38 [9,7]	1.80 [45,7]	.67 [17,0]	.48 [12,2]	.12 [3,0]	.04 [1,0]	.07 [1,78]	.045 [1,14]
202D263-X-08	1.72 [43,7]	1.34 [34,0]	1.72 [43,7]	.48 [12,2]	2.22 [56,3]	.64 [16,2]	.60 [15,2]	.12 [3,0]	.065 [1,65]	.08 [2,0]	.045 [1,14]

**If this document is printed it becomes uncontrolled.
 Check for the latest revision.**

Raychem

RAYCHEM CORPORATION
 300 CONSTITUTION DRIVE
 MENLO PARK, CALIFORNIA 94025

Revision : A
 Date : 10/19/95

Part Number : 202D2XX-X-08
 Description : Boot, Straight, With Lip

Thermofit[®] Molded Parts

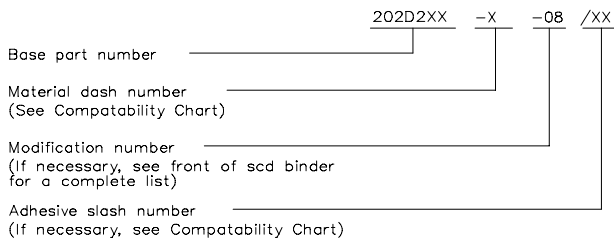
Specification Control Drawing

Limited Distribution

Part Number : 202D2XX-X-08
 Description : Boot, Straight, With Lip

MATERIAL DASH NO.	MATERIAL DESCRIPTION	RT SPEC	COATING SLASH NO.	COATING S NO.	COATING DESCRIPTION
-3	Polyolefin, Semi-Rigid	RT-301	/86	S-1048	Adhesive
-4	Polyolefin, Flexible	RT-1304	/86	S-1048	Adhesive
-25	Elastomer, Fluid Resistant	RT-1325	/86	S-1048	Adhesive

ORDERING INFORMATION



THIS DRAWING IS SUBJECT TO CHANGE WITHOUT NOTICE; CONSULT YOUR
 NEAREST FIELD REPRESENTATIVE FOR CURRENT REVISION

Raychem

RAYCHEM CORPORATION
 300 CONSTITUTION DRIVE
 MENLO PARK, CALIFORNIA 94025

Revision : A
 Date : 10/19/95

Part Number : 202D2XX-X-08
 Description : Boot, Straight, With Lip