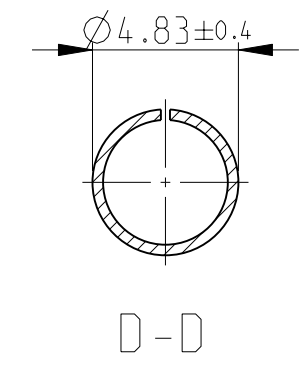
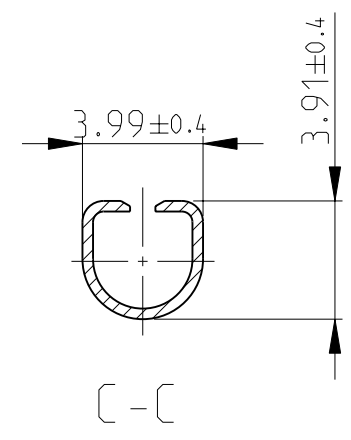
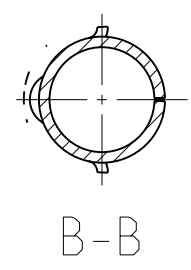
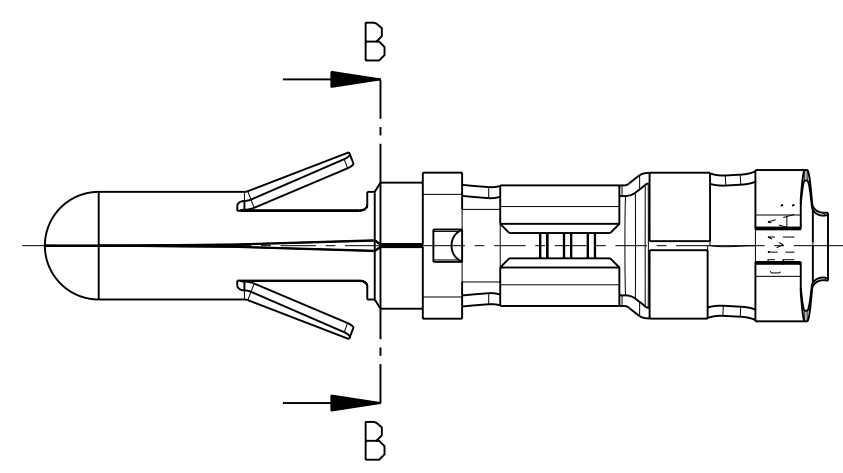
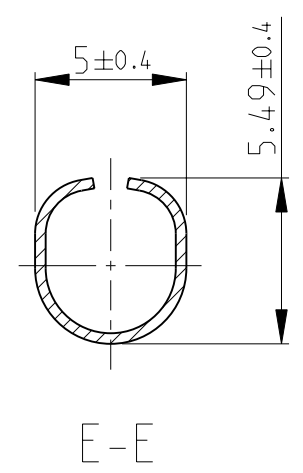
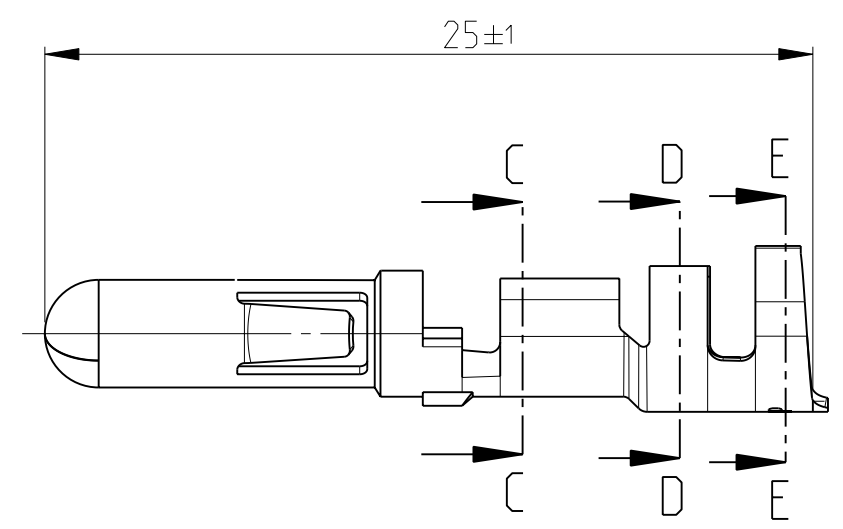


THIS DRAWING IS UNPUBLISHED. RELEASED FOR PUBLICATION 2008
 © COPYRIGHT 2008 BY TYCO ELECTRONICS CORPORATION. ALL RIGHTS RESERVED.

LOC	DIST	REVISIONS				
P	LTR	DESCRIPTION	DATE	DWN	APVD	
AL	2	L	New drawing released	24NOV2008	J.S	L.B
		L1	REVISED PER ECO-09-026495	17DEC2009	KK	AEG



NOTE:
 1 OBSOLETE PARTS: OBSOLETE CIS STREAMLINING PER D.RENAUD/D.SINISI

1	OBSOLETE	2.1-4mm ²	max. 4.5mm	Plain	Phosphor Bronze	925662-4
		2.1-4mm ²	max. 4.5mm	Silver	Phosphor Bronze	925662-3
		2.1-4mm ²	max. 4.5mm	Pre-tin	Phosphor Bronze	925662-2
		2.1-4mm ²	max. 4.5mm	Pre-tin	Brass	925662-1
	DGB	Insulation Ø	Finish	Material	Loose piece no.	

<small>THIS DRAWING IS A CONTROLLED DOCUMENT FOR TYCO ELECTRONICS CORPORATION. IT IS SUBJECT TO CHANGE AND THE CONTROLLING ENGINEERING ORGANIZATION SHOULD BE CONTACTED FOR THE LATEST REVISION.</small>		DWN	24NOV2008	Tyco Electronics Corporation Barcelona, Spain.
DIMENSIONS: mm		CHK	24NOV2008	
		APVD	24NOV2008	
TOLERANCES UNLESS OTHERWISE SPECIFIED:		PRODUCT SPEC		
0 PLØ ±- 1 P/C ±0.4 2 P/LC ±- 3 P/LC ±- 4 P/LC ±- ANGLES ±1° 30' FINISH see table		NAME	.140 DIA PIN	
MATERIAL see table		APPLICATION SPEC		
		WEIGHT	-	SIZE A3
		CUSTOMER DRAWING		CAGE CODE -
				DRAWING NO C=925662
				RESTRICTED TO -
				SCALE 4:1
				SHEET 1 OF 1
				REV L1