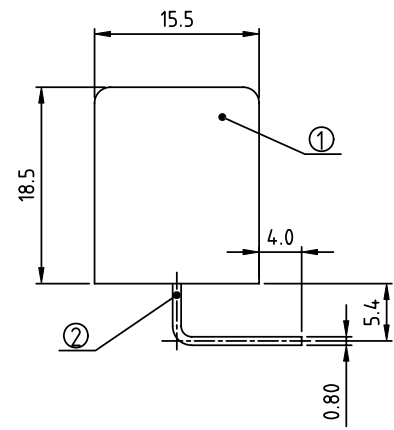
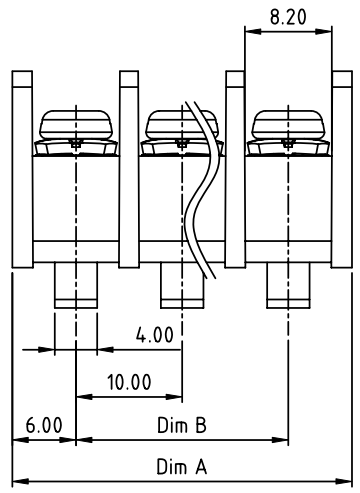
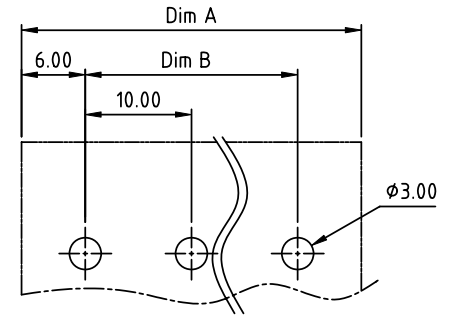
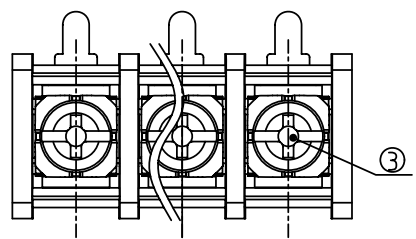


PRODUCT NUMBER	PITCH
YK615xx0x0JOG	10.00 mm



RECOMMENDED P.C.B LAYOUT
TOP VIEW

MATERIALS ELECTRICAL
 RATED VOLTAGE & CURRENT: 300 V, 25 A
 WITHSTAND VOLTAGE: AC 2000 V/Min
 INSULATION RESISTANCE: 1000 MΩ OR MORE AT DC 500 V
 OPERATING TEMPERATURE RANG: -40 °C ~ +115 °C
 SCREW TORQUE VALUE: 8.8 Lb-in.
 WIRE RANGE: 22 - 12 AWG
 1) HOUSING: Thermoplastic, UL 94 V-0 BLACK
 2) TERMINAL: BRASS, 0.8t
 3) TERMINAL SCREWS: STEEL, M3.5
 APPROVAL:

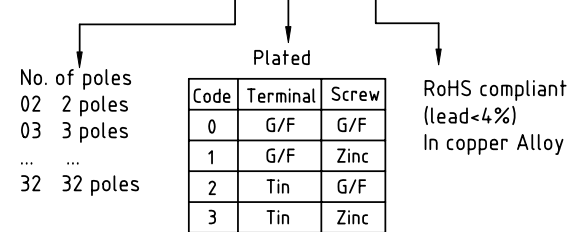
DIMENSION

Dim A	Nx10.0+2.0
Dim B	(N-1)x10.0

N=Number of poles

Poles	Tolerance
2p-5p	±0.20
6p-10p	±0.25
11p-16p	±0.35
17p-24p	±0.40
25p-32p	±0.50

PART NO.: YK 615xx 0 x 0 JOG



mat'l. code		surface ASME Y14.5	tolerance ASME Y14.5	projection	product family
ltr	ecn no	dr	date		TERMINAL BLOCK
				tolerances unless otherwise specified	title
				angles	TERMINAL BLOCK
				MM	BARRIER TYPE
				scale	dwg no
				dr	sheet 1 of 1
				enr	size
				chr	YK615xx0x0JOG
				appd	A4
				type	CUSTOMER Drawing
sheet index	revision	A			
	sheet	1			