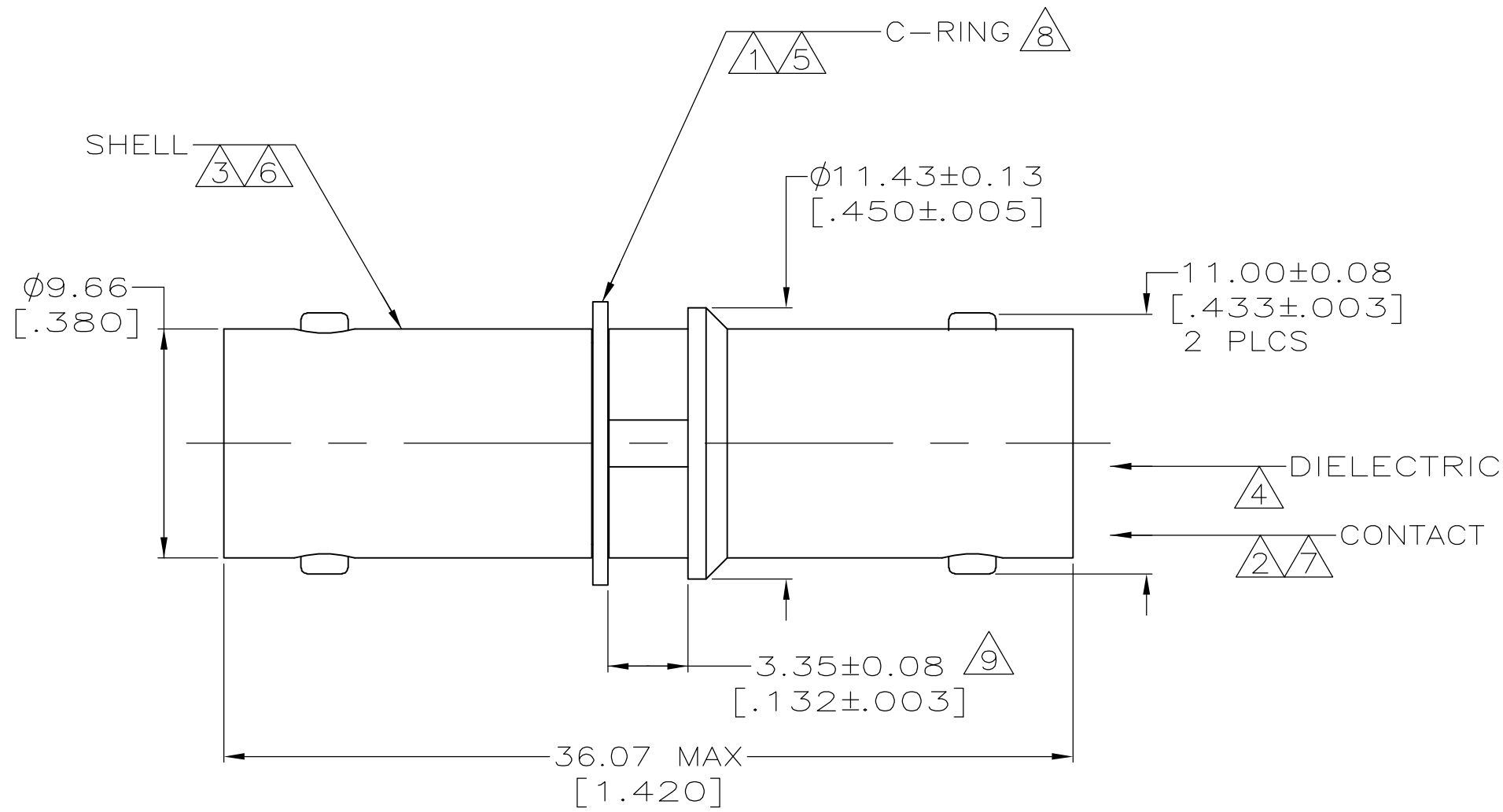


THIS DRAWING IS UNPUBLISHED. RELEASED FOR PUBLICATION  
 © COPYRIGHT BY TYCO ELECTRONICS CORPORATION. ALL RIGHTS RESERVED.

LOC	DIST	REVISIONS			
P	LTR	DESCRIPTION	DATE	DWN	APVD
	A	REVISED PER EC OS14-0150-05	01SEP05	BM	JL



- 1 BERYLLIUM COPPER PER ASTM-B-196
- 2 PHOSPHOR BRONZE PER QQ-B-750
- 3 ZINC PER ASTM-B-86
- 4 POLYMETHYLPENTENE: GENERAL PURPOSE
- 5 NICKEL PLATE PER QQ-N-290, 2.54 μm [.000100] MIN THICKNESS
- 6 NICKEL PLATE PER QQ-N-290, 3.81 μm [.000150] MIN THICKNESS
- 7 GOLD PLATE PER ASTM-B-488, 0.38 μm [.000015] MIN THICKNESS
- 8 C-RING COMES UNASSEMBLED
- 9 MEASURED AT CONNECTOR BODY

5414795-1  
 PART NUMBER

THIS DRAWING IS A CONTROLLED DOCUMENT.		DWN L. VARELA - DOCK5 18APR2005	Tyco Electronics Corporation Harrisburg, Pa 17105-3608	
DIMENSIONS: mm [INCHES]		CHK J. HAVENER 18APR2005		
TOLERANCES UNLESS OTHERWISE SPECIFIED:		APVD J. LIPPERT 18APR2005	NAME JACK ADAPTER ASSEMBLY, COMMERCIAL BNC	
0 PLC ± - 1 PLC ± - 2 PLC ± 0.05 [.002] 3 PLC ± - 4 PLC ± - ANGLES ± -		PRODUCT SPEC -	SIZE A3	
MATERIAL SEE NOTES		APPLICATION SPEC -	CAGE CODE 00779	RESTRICTED TO -
FINISH SEE NOTES		WEIGHT -	DRAWING NO 5414795	
		CUSTOMER DRAWING	SCALE 4:1	SHEET 1 OF 1
			REV A	