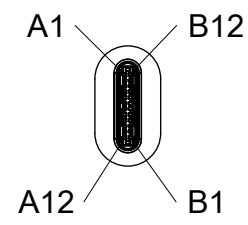
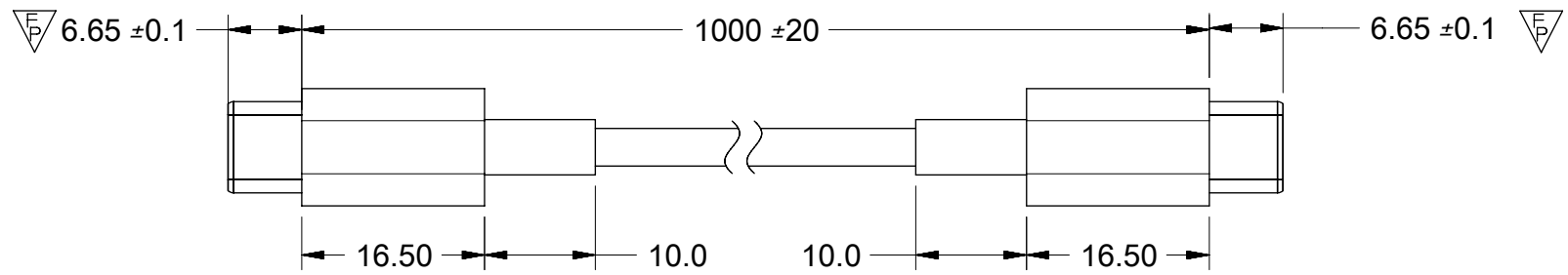


REVISIONS				
EC NO	DATE	REV	DESCRIPTION	CHANGER
NA	2017/12/20	A	INITIAL RELEASE	LUCY
NA	2017/12/25	A1	NO ANY CHANGE, RELEASED AGAIN	LUCY
CY18-5925	2018/7/25	B	CHANGE TYPE C PLUG AND RESIN	LUCY

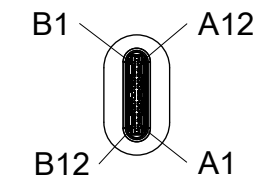
P1



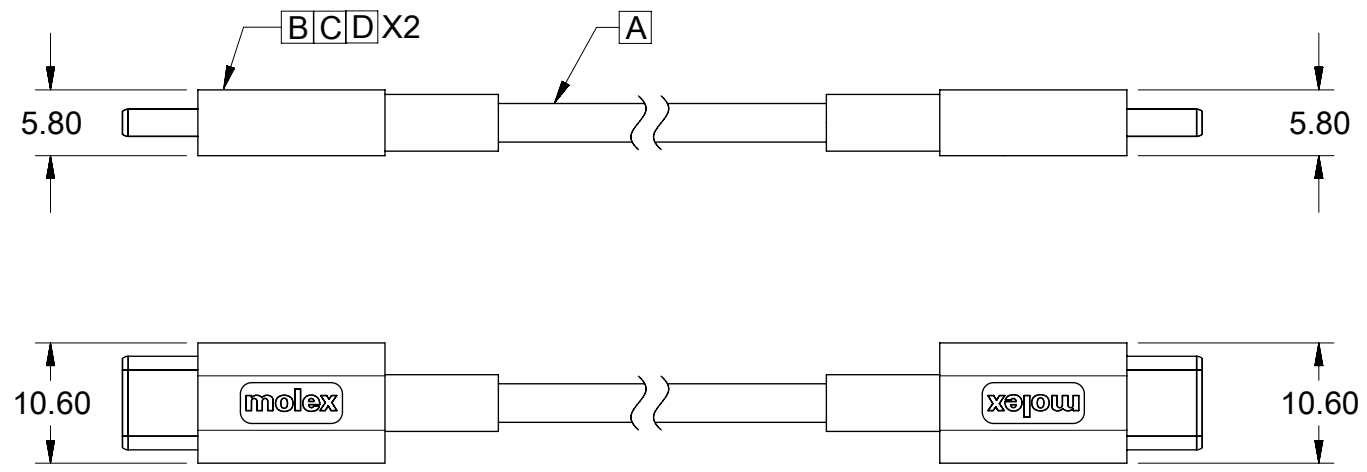
TYPE C



P2



TYPE C



D	Right metal shell	2
C	Left metal shell	2
B	Type C plug Au 30u" 22pin+PCBA 2.0	2
A	1Px30AWG+1Cx24AWG+1Cx32AWG,shielded,TPE,White, OD3.40mm,UL21104	AR
ITEM	DESCRIPTION	QTY.

PIN ASSIGNMENTS				
Type C(P1)	SIGNAL NAME	WIRE COLOR	SIGNAL NAME	Type C(P2)
A1,B1,A12,B12	GND	DRAIN	GND	A1,B1,A12,B12
A4,B4,A9,B9	VBUS	RED	VBUS	A4,B4,A9,B9
A5	CC	BLUE	CC	A5
B5	VCONN	-	VCONN	B5
A6	Dp1	GREEN	Dp1	A6
A7	Dn1	WHITE	Dn1	A7
SHELL	SHIELD	BRAID	SHIELD	SHELL

<b>SYMBOLS</b> DIMENSION UNITS: mm SCALE: 1.5:1 GENERAL TOLERANCES (UNLESS SPECIFIED): ANGULAR TOL ± 3.0° 4 PLACES ± 3 PLACES ± 2 PLACES ± 0.25 1 PLACE ± 0.5 0 PLACES ± DRAFT WHERE APPLICABLE MUST REMAIN WITHIN DIMENSIONS THIRD ANGLE PROJECTION DRAWING: A3-SIZE SERIES: 201241	THIS DRAWING CONTAINS INFORMATION THAT IS PROPRIETARY TO MOLEX ELECTRONIC TECHNOLOGIES, LLC AND SHOULD NOT BE USED WITHOUT WRITTEN PERMISSION CURRENT REV DESC: EC NO: 601987 DRWN: ZZXIAN 2018/07/25 CHK'D: LLI205 2018/07/26 APPR: LHUI 2018/07/27 INITIAL REVISION: DRWN: XJGU001 2016/08/18 APPR: FNIE 2017/12/25	 USB 2.0 TYPE C TO C WHITE CABLE, L=1M,3A PRODUCT CUSTOMER DRAWING DOCUMENT NUMBER: 2012410154 DOC TYPE: PSD DOC PART: 000 REVISION: B MATERIAL NUMBER: 687980010 CUSTOMER: GENERAL MARKET SHEET NUMBER: 1 OF 2
---	---	--

- NOTE:
1. OVERMOLDING SPECIFICATION:
    - 1.1 INNER MOLDING: PE RESIN
    - 1.2 SR MOLDING: TPE WHITE RESIN
    - 1.3 OUTER MOLDING: TPE WHITE RESIN
  2. APPLICATION CONDITION
    - 2.1 WORKING TEMPERATURE: -10°--- +50°
    - 2.2 STORAGE TEMPERATURE: -20°--- +60°
  3. MECHANICAL PERFORMACNE
    - 3.1. BENDING TEST:200G, +/-90°, 12~14CYCLES/MINUTES, R=25.4MM, HORIZONTAL FOR 500 CYCLES AND VERTICAL FOR 500 CYCLES, NO LESS THAN 1000 times/cycles\*3 CYCLES=3000 TIMES
    - 3.2. CABLE SHOULD WITHSTAND A PULL FORCE 40N FOR ONE MINUTE WITHOUT VISIBLE TERMINATION DAMAGE.PER EIA 364-38 METHOD A
  4. ELECTRICAL PERFORMACNE
    - 4.1 100% OPEN AND SHORT TEST
    - 4.2 HIGH FREQUENCY ELECTRICAL PERFORMANCE MEET USB TYPE C - TYPE C, USB 2.0 REQUIREMENT
    - 4.3 CURRENT RATING:3A, VOLTAGE DROP SHALL BE 250mV FOR GND AND 500mV FOR VBUS.
  5. THIS PRODUCT MUST MEET EU RoHS

THIS DRAWING CONTAINS INFORMATION THAT IS PROPRIETARY TO MOLEX ELECTRONIC TECHNOLOGIES, LLC AND SHOULD NOT BE USED WITHOUT WRITTEN PERMISSION										
SYMBOLS	DIMENSION UNITS	SCALE	CURRENT REV DESC:				<b>molex</b>			
	mm	1:1								
▽ = 0	GENERAL TOLERANCES (UNLESS SPECIFIED)		EC NO: 601987 DRWN: ZZXIAN 2018/07/25 CHK'D: LLI205 2018/07/26 APPR: LHUI 2018/07/27				USB 2.0 TYPE C TO C WHITE CABLE, L=1M,3A			
▽ = 0	ANGULAR TOL	± 3.0 °								
▽ = 0	4 PLACES	±	INITIAL REVISION: DRWN: XJGUO01 2016/08/18 APPR: FNIE 2017/12/25				PRODUCT CUSTOMER DRAWING			
▽ = 0	3 PLACES	±								
▽ = 0	2 PLACES	± 0.25	DOCUMENT NUMBER				2012410154			
▽ = 0	1 PLACE	± 0.5								
▽ = 0	0 PLACES	±	DRAWING				SERIES			
▽ = 0	DRAFT WHERE APPLICABLE MUST REMAIN WITHIN DIMENSIONS									
▽ = 0	THIRD ANGLE PROJECTION		A3-SIZE				201241			
▽ = 0	DRAWING									
MATERIAL NUMBER			CUSTOMER				SHEET NUMBER			
687980010			GENERAL MARKET				2 OF 2			

DOCUMENT STATUS	P1	RELEASE DATE	2018/07/27	01:17:52
-----------------	----	--------------	------------	----------