

THE INFORMATION CONTAINED HEREIN IS CONSIDERED "PROPRIETARY" TO BEL FUSE INC. AND SHALL NOT BE COPIED, REPRODUCED OR DISCLOSED WITHOUT THE WRITTEN APPROVAL OF BEL FUSE INC.

RoHS  
2002/95/EC



**ELECTRICAL CHARACTERISTICS @ 25°C**

1.0 INDUCTANCE:  
 (P2-P3) : 350uH MIN. @ 0.1V, 100KHz, 8mA DC BIAS  
 (P4-P5) : 350uH MIN. @ 0.1V, 100KHz, 8mA DC BIAS  
 (P7-P8) : 350uH MIN. @ 0.1V, 100KHz, 8mA DC BIAS  
 (P9-P10) : 350uH MIN. @ 0.1V, 100KHz, 8mA DC BIAS

2.0 TURNS RATIO:  
 (P2-P3):(J1-J2) : 1CT : 1CT ± 2%  
 (P4-P5):(J3-J6) : 1CT : 1CT ± 2%  
 (P7-P8):(J4-J5) : 1CT : 1CT ± 2%  
 (P9-P10):(J7-J8) : 1CT : 1CT ± 2%

3.0 RETURN LOSS: 100 OHM REF.  
 500kHz TO 40MHz : -18dB MIN.  
 40MHz TO 100MHz : -12+20LOG(f/80MHz) MIN.

4.0 INSERTION LOSS: RS=RL=100 OHMS  
 100kHz TO 100MHz : -1.2dB MAX.

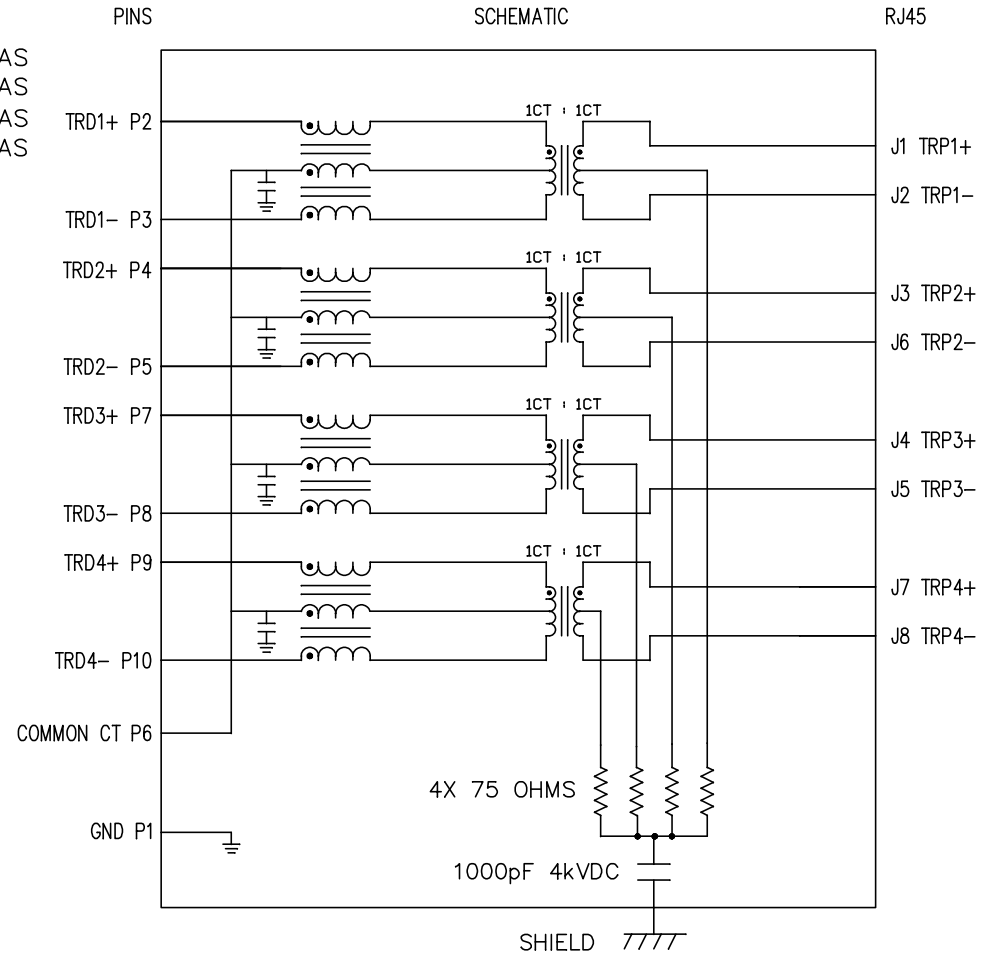
5.0 CROSS TALK: Ch1-Ch2, Ch1-Ch3, Ch1-Ch4, Ch2-Ch3, Ch2-Ch4, Ch3-Ch4  
 1MHz TO 30MHz : -35dB MIN.  
 30MHz TO 80MHz : -24dB MIN.  
 80MHz TO 100MHz : -25dB MIN.

6.0 CM TO CM REJECTION:  
 100kHz TO 100MHz : -30dB MIN.

7.0 CM TO DM REJECTION:  
 100kHz TO 100MHz : -35dB MIN.

8.0 VOLTAGE WITHSTAND:  
 (J1,J2) TO (P2,P3) : 1500Vrms  
 (J3,J6) TO (P4,P5) : 1500Vrms  
 (J4,J5) TO (P7,P8) : 1500Vrms  
 : 1500Vrms

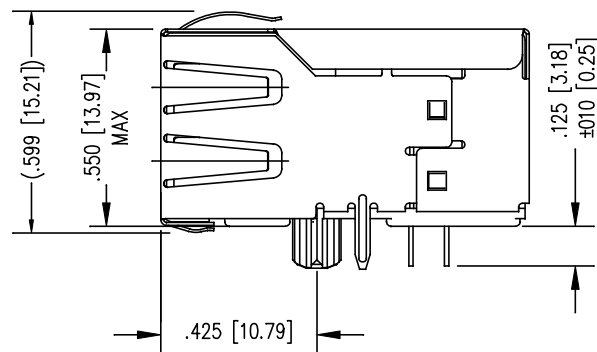
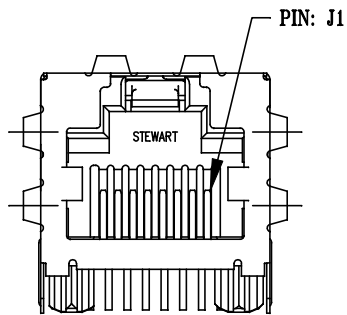
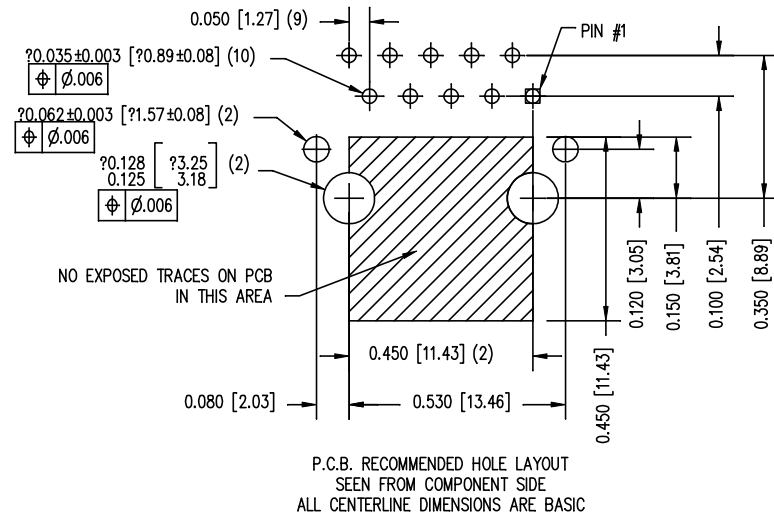
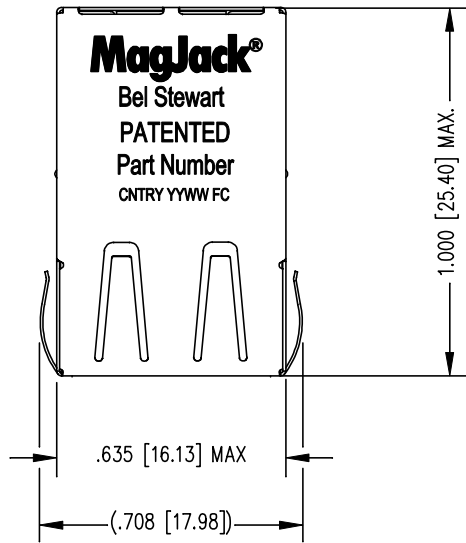
9.0 THIS COMPONENT IS A PATENT PRODUCT;US PATENT NUMBER 7,123,117.



ORIGINATED BY <b>RS Zhang</b>	DATE <b>04-22-10</b>	TITLE <b>MagJack® 10/100/1000BT TAB UP SHIELDED PATENTED</b>	PART NO. / DRAWING NO. <b>SI-51014-F</b>		STANDARD DIM. TOL. IN INCH		[ ] METRIC DIM. AS REFERENCE		<b>bel</b> COMPONENTS FOR A CONNECTED PLANET
			FILE NAME <b>SI-51014-F.DWG</b>		.X		UNIT : INCH [mm]	REV. : A1	
DRAWN BY <b>RS Zhang</b>	DATE <b>04-22-10</b>				.XX		SCALE : N/A	SIZE : A4	
					.XXX	±0.005		PAGE : 2	

THE INFORMATION CONTAINED HEREIN IS CONSIDERED "PROPRIETARY" TO BEL FUSE INC. AND SHALL NOT BE COPIED, REPRODUCED OR DISCLOSED WITHOUT THE WRITTEN APPROVAL OF BEL FUSE INC.

RoHS  
2002/95/EC



NOTES:

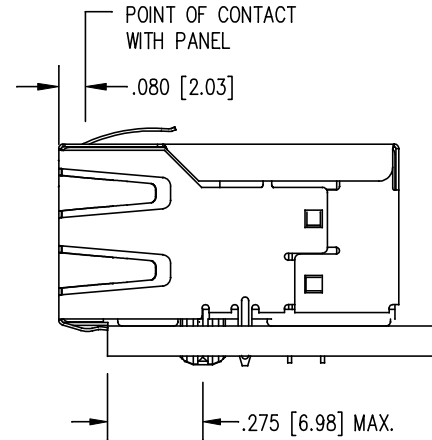
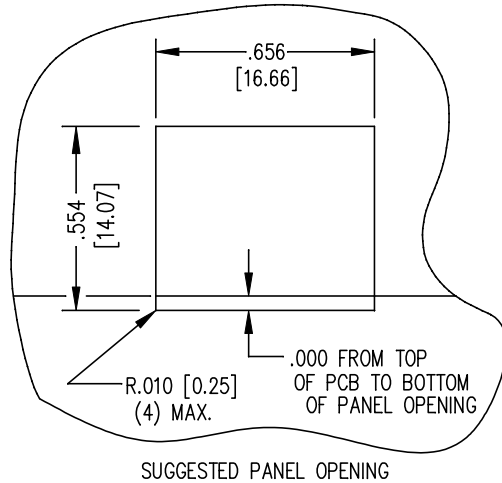
- CONNECTOR MATERIALS:  
HOUSING: THERMOPLASTIC UL94 V-0  
CONTACT/SHIELD: COPPER ALLOY  
SHIELD PLATING: NICKEL OR TIN  
CONTACT PLATING: SELECTIVE GOLD,  
50 MICRO-INCHES MIN. IN CONTACT AREA.
- PIN NOT ELECTRICALLY CONNECTED MAYBE OMITTED.  
SEE ELECTRICAL DRAWING FOR OMITTED PINS.
- TOLERANCES COMPLY WITH F.C.C. DIMENSION REQUIREMENTS.
- ALL TOLERANCES NOT OTHERWISE SPECIFIED TO BE ±0.005 [0.13]
- WAVE SOLDER COMPATIBLE - PREHEAT 125° C/90SECS.  
HIGH TEMPERATURE REFLOW COMPATIBLE - 230° C/90 SEC MAX.

ORIGINATED BY	DATE	TITLE	PART NO. / DRAWING NO.	STANDARD DIM.	[ ] METRIC DIM. AS REFERENCE	
RS Zhang	04-22-10	<b>MagJack®</b> 10/100/1000BT TAB UP SHIELDED PATENTED	SI-51014-F	TOL. IN INCH	UNIT : INCH [mm]	REV. : A1
DRAWN BY	DATE		FILE NAME	.X	SCALE : N/A	SIZE : A4
RS Zhang	04-22-10		SI-51014-F.DWG	.XX		
				.XXX	±0.005	



THE INFORMATION CONTAINED HEREIN IS CONSIDERED "PROPRIETARY" TO BEL FUSE INC. AND SHALL NOT BE COPIED, REPRODUCED OR DISCLOSED WITHOUT THE WRITTEN APPROVAL OF BEL FUSE INC.

RoHS  
2002/95/EC



1. THE SUGGESTED PANEL OPENING IS INTENDED TO GIVE THE USER THE ABILITY TO HAVE REASONABLE JACK / PANEL CLEARANCES YET MAINTAIN RELIABLE GROUNDING CAPABILITY.
2. ALL TOLERANCES NOT OTHERWISE SPECIFIED TO BE  $\pm 0.005$  [0.13]

ORIGINATED BY	DATE	TITLE	PART NO. / DRAWING NO.	STANDARD DIM. TOL. IN INCH	[ ] METRIC DIM. AS REFERENCE	
RS Zhang	04-22-10	<b>MagJack®</b> 10/100/1000BT TAB UP SHIELDED PATENTED	SI-51014-F	.X	UNIT : INCH [mm]	REV. : A1
DRAWN BY	DATE		FILE NAME	.XX	SCALE : N/A	SIZE : A4
RS Zhang	04-22-10		SI-51014-F.DWG	.XXX	$\pm 0.005$	PAGE : 4

