

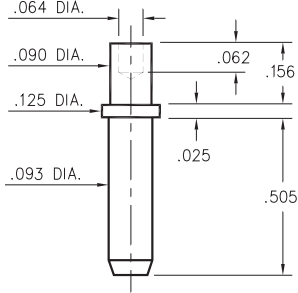
MALE PCB PINS

PRINTED CIRCUIT PINS

5231

5231-0-00-XX-00-00-38-0

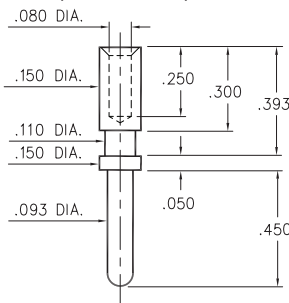
Swage mount in .094 hole
For a .125 thick board



9092

9092-0-00-XX-00-00-38-0

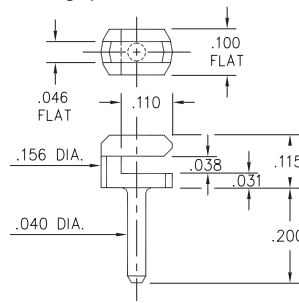
Wire crimp termination up to 14 AWG



7310

7310-0-01-XX-00-00-08-0

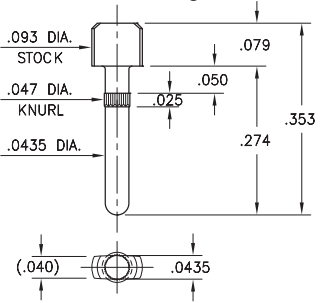
Board edge press-fit



5066

5066-0-00-26-00-00-03-0

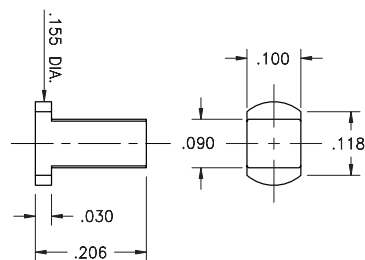
Press-fit in .043 mounting hole



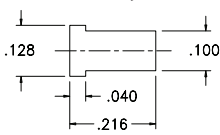
7937

7937-0-00-15-00-00-03-0

Target contact, horizontal surface mount
Also available on 16mm wide carrier tape:
2,400 parts per 13" reel.
Order as: 7937-0-58-15-00-00-03-0



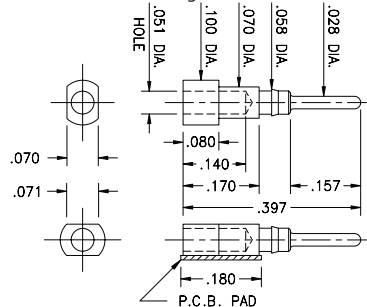
P.C.B. Layout



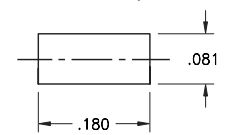
1502

1502-0-00-XX-00-00-03-0

Press-fit in .057 mounting hole



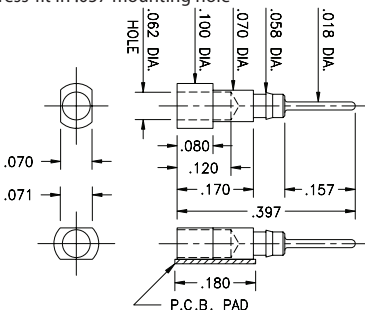
P.C.B. Layout



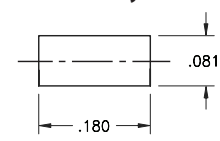
5102

5102-0-00-XX-00-00-33-0

Press-fit in .057 mounting hole



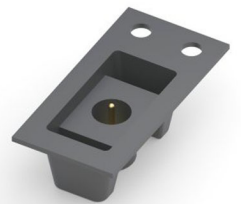
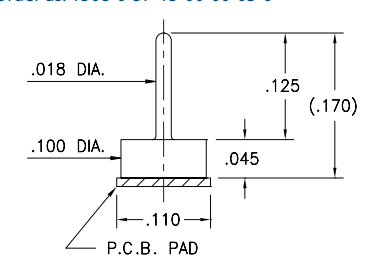
P.C.B. Layout



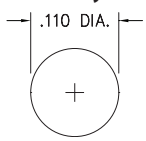
1508

1508-0-00-15-00-00-03-0

Test point, surface mount
Also available on 16mm wide carrier tape:
1,600 parts per 13" reel.
Order as: 1508-0-57-15-00-00-03-0



P.C.B. Layout



SPECIFICATIONS:

Pin Material: Brass Alloy 360, 1/2 Hard
(Except swage pins which are annealed)

Dimensions: Inches

Tolerances On: Lengths: ±.005
Diameters: ±.002
Angles: ±2°



ORDER CODE: XXXX - X - 0X - XX - 00 - 00 - XX - 0

BASIC PART #

SPECIFY PIN FINISH:

- 01 200 μ" TIN/LEAD OVER NICKEL
- ◆ 80 200 μ" TIN OVER NICKEL (RoHS)
- ◆ 15 10 μ" GOLD OVER NICKEL (RoHS)
- ◆ 21 20 μ" GOLD OVER NICKEL (RoHS)
- ◆ 34 50 μ" GOLD OVER NICKEL (RoHS)

