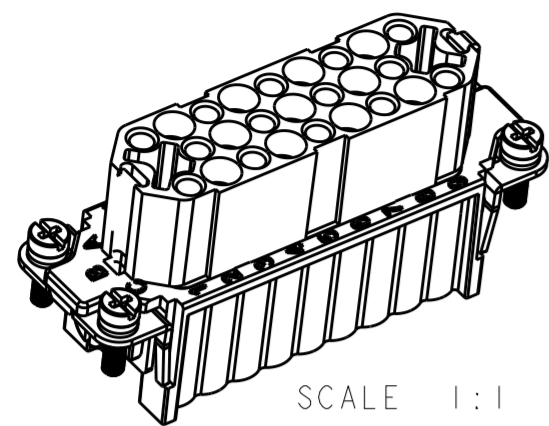


THIS DRAWING IS UNPUBLISHED. RELEASED FOR PUBLICATION 20
 © COPYRIGHT 20 BY - ALL RIGHTS RESERVED.

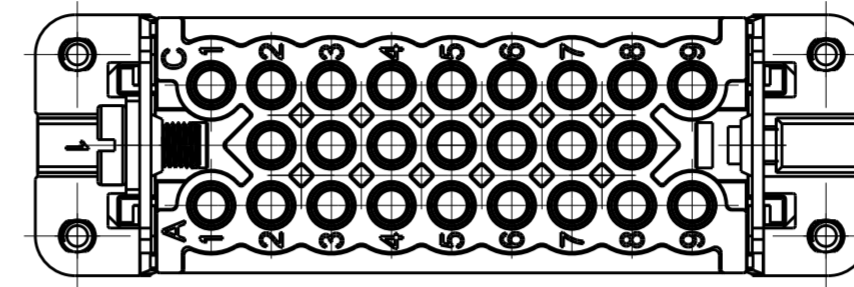
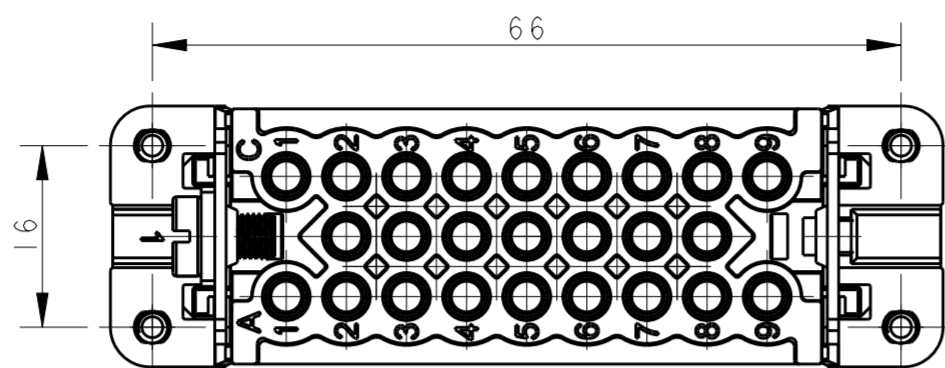
REVISIONS				
P	LTR	DESCRIPTION	DATE	APVD
A		INITIAL RELEASE	16DEC2015	DL CW
B		ECR-15-013292	24SEP2015	DL CW
B1		ECR-16-011552	11AUG2016	QY CW
B2		ECR-17-004602	01APR2017	CH CW

TYPT-1/类型-1

TYPT-2/类型-2



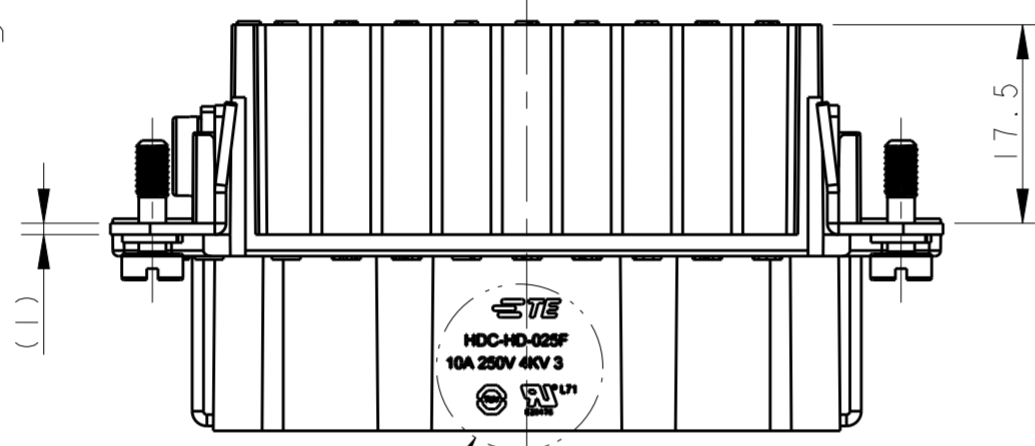
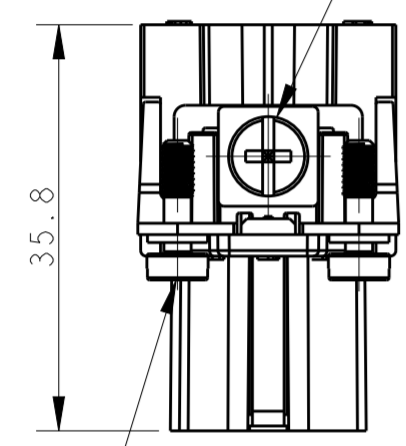
SCALE 1:1



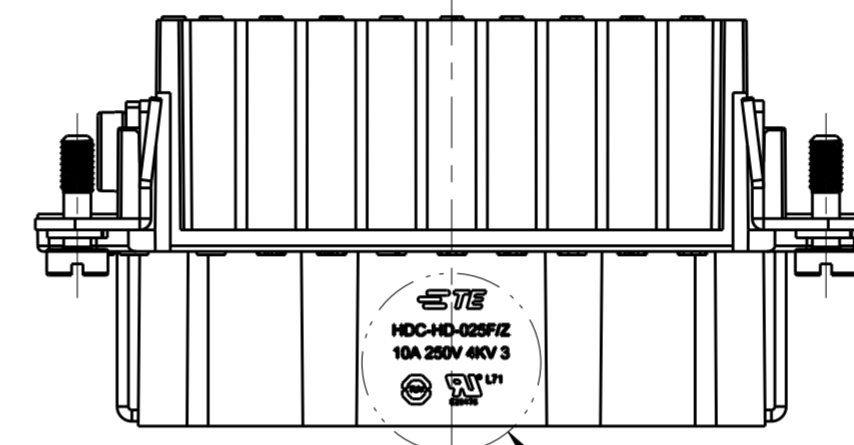
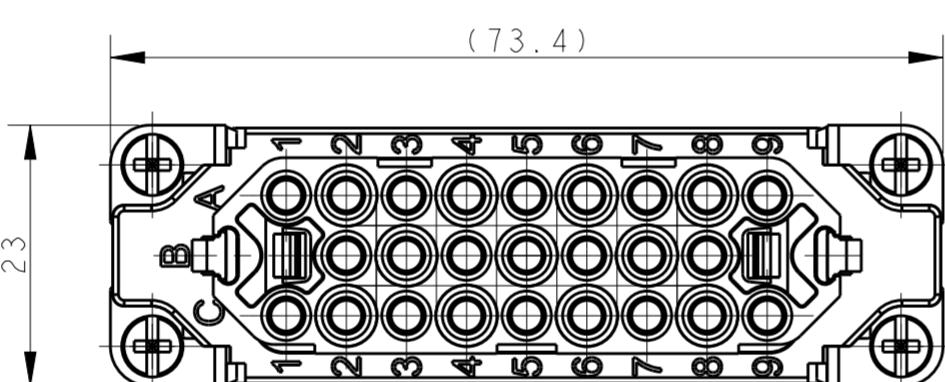
NOTES:
 1. TECHNICAL CHARACTERISTICS:
 INSULATION MATERIAL: PC
 RATED VOLTAGE: 250 V
 RATED CURRENT: 10 A
 INSULATION RESISTANCE: >=400MΩ
 RATED IMPULSE VOLTAGE: 4 KV
 POLLUTION DEGREE: 3
 FLAMMABILITY: UL94V-0
 MATING CYCLES: 500 CYCLES
 WIRE RANGE: 0.14-2.5 mm² (26-14 AWG)
 CONTACT TYPE: CRIMP CONTACT
 2. CONTACT NEED TO BE ORDERED SEPARATELY.
 (ORDER No. REFER TO DRAWING:T20200X20XX000)

注释:
 1. 技术参数:
 绝缘材料: PC
 额定电压: 250V
 额定电流: 10A
 绝缘电阻: >=400MΩ
 额定脉冲电压: 4 KV
 污染等级: 3
 阻燃等级: UL94V-0
 插拔次数: 500次
 接线范围: 0.14-2.5 mm² (26-14 AWG)
 接线类型: 冷压接
 2. 端子需要单独订购。
 (订货号参考图面: T20200X20XX000)

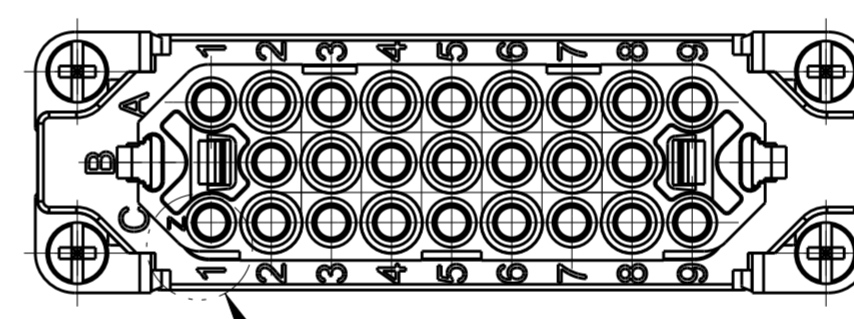
M4 SCREW
 RECOMMENDED
 TIGHTENING
 TORQUE 1.2Nm
 M4螺丝
 推荐锁紧力矩1.2Nm



4X M3 SCREW
 RECOMMENDED
 TIGHTENING
 TORQUE 0.5Nm
 4X M3螺丝
 推荐锁紧力矩0.5Nm

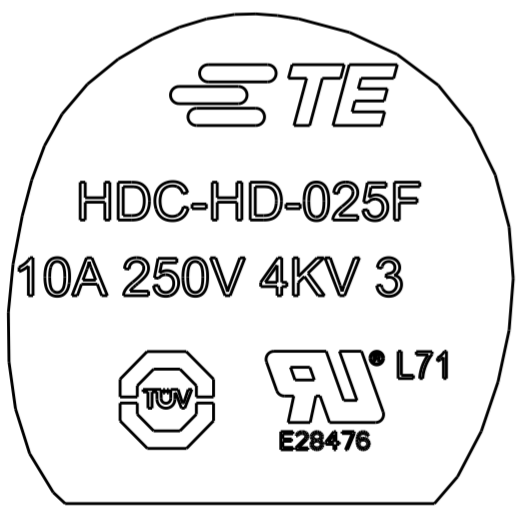


DETAIL A

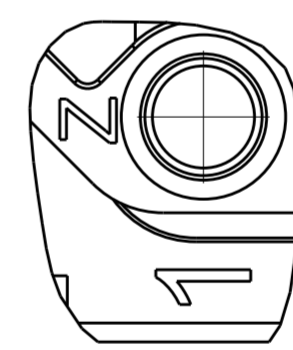


DETAIL B

NOTE:TYPE-2 ALL THE DIMENSIONS ARE THE SAME WITH
 TYPE-1 EXCEPT THE LASER PRINT MARKINGS
 提示:类型-2的所有尺寸与类型-1一致,除了激光打标不一样,详见视图



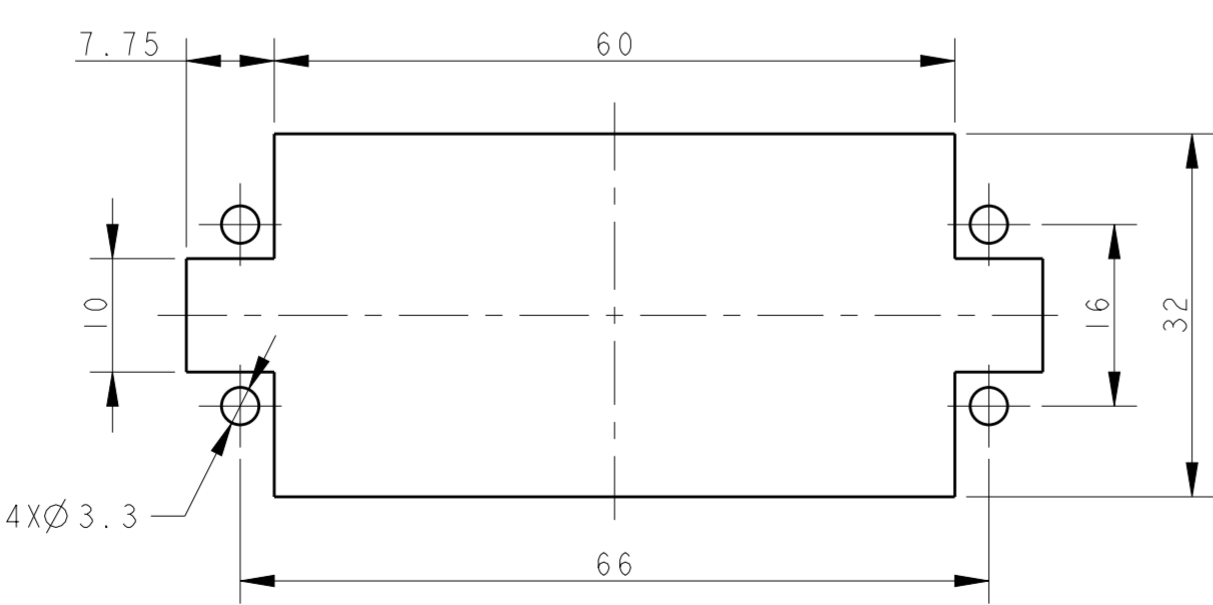
DETAIL C SCALE 5:1



DETAIL B SCALE 5:1



DETAIL A SCALE 5:1



PANEL CUT OUT FOR INSERTS FOR USE
 WITHOUT HOODS/HOUSINGS
 不使用防护外壳时元件的安装开孔图

T2020252201-Z00	HD-025-F/Z	HD-025 FEMALE INSERT(Z) HD-025母插(Z)	TYPE-2 类型-2
T2020252201-000	HD-025-F	HD-025 FEMALE INSERT HD-025母插	TYPE-1 类型-1
PART NUMBER 料号	PART DESCRIPTION 描述		TYPE 类型

THIS DRAWING IS A CONTROLLED DOCUMENT.		DWN DAVID LI 16 JUL 2015	TE Connectivity	
		CHK CHRIS WANG 16 JUL 2015		
		APVD XU XIANG 16 JUL 2015	NAME HD-025-F	
DIMENSIONS: mm		PRODUCT SPEC 108-137042	SIZE A2	
TOLERANCES UNLESS OTHERWISE SPECIFIED:		APPLICATION SPEC 114-137042	CAGE CODE -	
0 PLC ±		WEIGHT -	DRAWING NO. C-T2020252201000	
1 PLC ±		RESTRICTED TO -		
2 PLC ±		SCALE 3:2 SHEET 1 OF 1 REV B2		
3 PLC ±				
4 PLC ±				
ANGLES ±				
FINISH -				
MATERIAL -				