

10069524- AA B C D E FF

AA	POSITION
04	2X20
06	2X30
08	2X40
10	2X50
12	2X60
14	2X70
16	2X80
18	2X90
20	2X100

B		FOR PLUG, SEE DWG. NO. 10069525			
COMBINATION OF MATED HEIGHT	Plug 1	Plug 2	Plug 3	Plug 4	
Recep 1					
Recep 2					
Recep 3					

E	PACKAGING
0	TUBE WITHOUT METAL CAP
2	T&R WITH METAL CAP
9	TUBE WITH METAL CAP

D	POLARIZATION PEG	HOLD DOWN
0	YES	NO
2	NO	NO

C	PLATING ON CONTACT AREA	FF
0	GOLD 0.2um MIN / TIN LEAD NICKEL UNDERPLATE OVERALL 1.27um MIN	NONE
1	GOLD FLASH (0.1um MIN) OVER PALLADIUM-NICKEL 0.76um MIN / TIN LEAD NICKEL UNDERPLATE OVERALL 1.27um MIN	NONE
4	GOLD 0.2um MIN / PURE TIN 2um MIN (LEAD FREE) NICKEL UNDERPLATE OVERALL 1.27um MIN	LF
5	GOLD 0.38um MIN / PURE TIN 2um MIN (LEAD FREE) NICKEL UNDERPLATE OVERALL 1.27um MIN	LF
6	GOLD FLASH (0.1um MIN) OVER PALLADIUM-NICKEL 0.76um MIN / PURE TIN 2um MIN (LEAD FREE) NICKEL UNDERPLATE OVERALL 1.27um MIN	LF
9	GOLD 0.2um MIN / GOLD 0.05um MIN (LEAD FREE) NICKEL UNDERPLATE OVERALL 1.27um MIN	LF

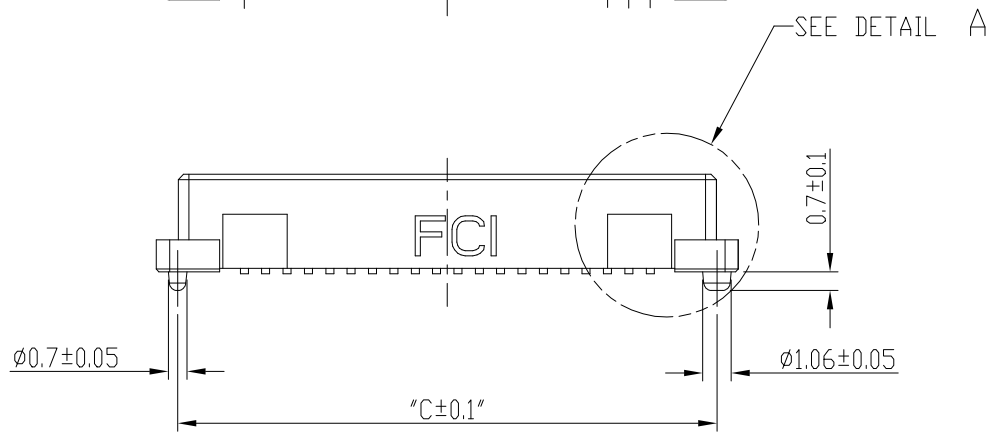
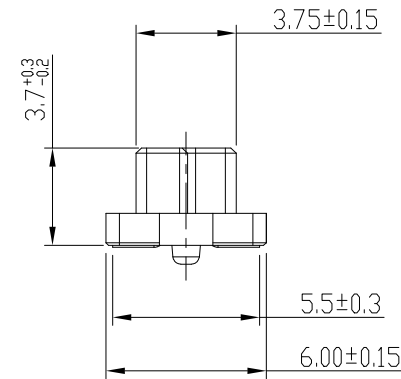
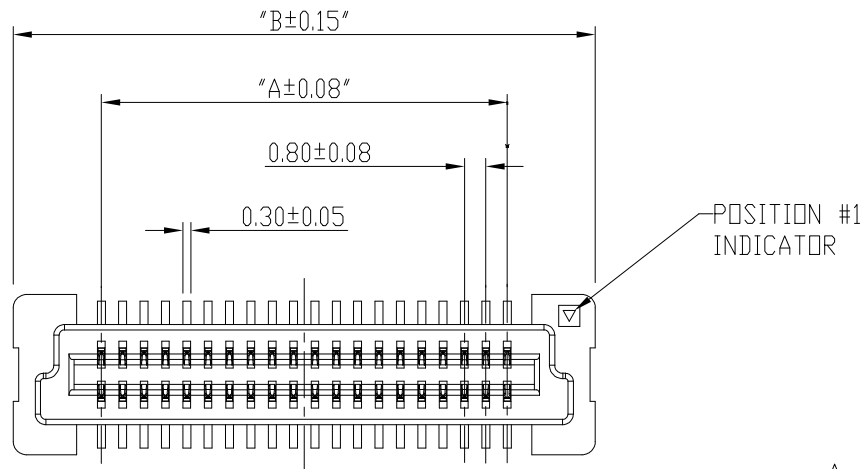
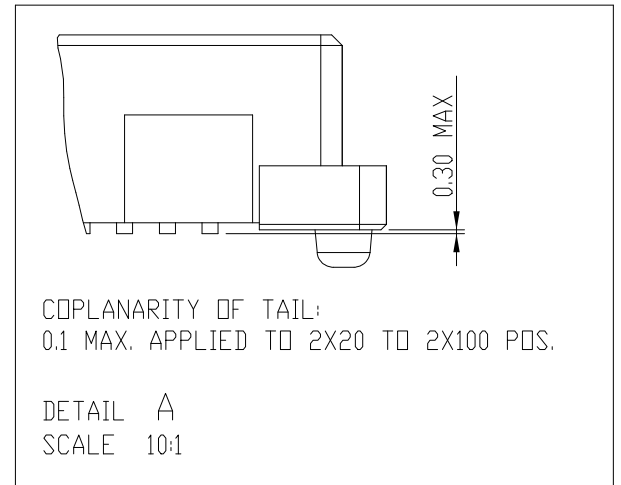
- NOTES:
- MATERIAL  
HOUSING: LCP UL 94V-0  
TERMINAL: NICKEL COPPER
  - PLATING  
AS SHOWN IN TABLE.
  - SEE GS-12-547 FOR PRODUCT SPEC.
  - SEE GS-14-551 AND GS-14-816 FOR THE DETAILS OF PACKAGING.  
PRODUCT WILL BE PACKED IN ACCORDANCE TO GLOBAL PROCEDURE GS-14-920.
  - PACKAGING OPTION 2: "NOT ALL SIZES AVAILABLE; CHECK WITH FACTORY".
  - THIS PRODUCT MEETS THE EUROPEAN UNION DIRECTIVES AND OTHER COUNTRY REGULATIONS AS DESCRIBED IN GS-22-008.
  - THE HOUSING WITH WITHSTAND EXPOSURE UP TO 260° PEAK TEMPERATURE FOR 30 SECONDS IN A CONVECTION, INFRA-RED OR VAPOR REFLOW OVEN.
  - PLATING OPTION "4" IS LEADFREE ALTERNATIVE FOR OPTION "0", AND OPTION "6" IS LEADFREE ALTERNATIVE FOR OPTION "1".
  - THIS PARTNUMBER ONLY CATER FOR SPECIAL CUSTOMER REQUIREMENT OF COPLANARITY OF 0.1 FOR ALL POSITION.

mat'l. code		surface	tolerance	projection	product family
		ISO 1302	ISO 406 ISO 1101		BERGSTAK HPL545
ltr	ecn no	dr	date	tolerances unless otherwise specified	title
A	S06-0286	MCH	08/25/06	angles	RECEPTACLE ASSY
B	S06-0316	MCH	09/25/06	linear	BERGSTAK 0.8MM
C	S09-0326	MCH	10/21/09	X±2'	
D	ELX-N-20407	Jim	03/26/15	dr	M. Cheong
E	ELX-N-28867	Bob	12/22/17	engr	Bob Gu
				chr	LQ Lei
				appd	Tim Yao
sheet index	revision	E			
	sheet	1~6			

Amphenol FCI

© 2016 AFCI

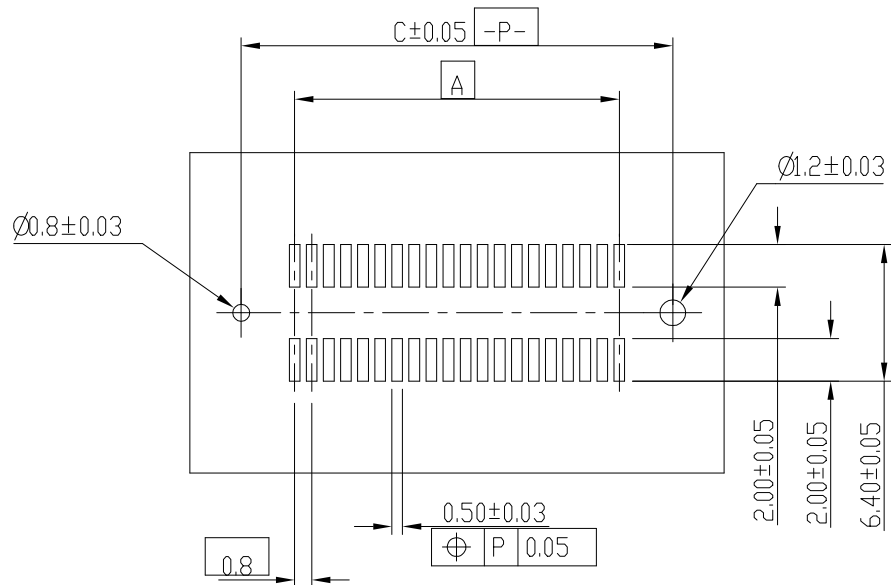
PRODUCT NO.	NUMBER OF POSITIONS	DIMENSION		
		A	B	C
10069524-041***	2X20	15.2	21.8	20.2
10069524-061***	2X30	23.2	29.8	28.2
10069524-081***	2X40	31.2	37.8	36.2
10069524-101***	2X50	39.2	45.8	44.2
10069524-121***	2X60	47.2	53.8	52.2
10069524-141***	2X70	55.2	61.8	60.2
10069524-161***	2X80	63.2	69.8	68.2
10069524-181***	2X90	71.2	77.8	76.2
10069524-201***	2X100	79.2	85.8	84.2



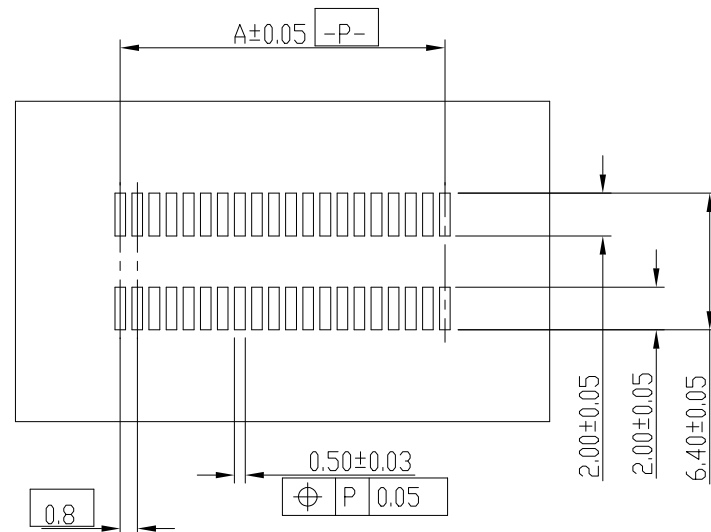
mat'l. code				surface	tolerance	projection	product family	
ISO 1302				ISO 406	ISO 1101	BERGSTAK HPL545		
ltr	ecn no	dr	date	tolerances unless otherwise specified	title			
E				angles linear	RECEPTACLE ASSY			
				X'±2'	BERGSTAK 0.8MM			
					scale 1:1	dwg no		
				dr M. Cheong	08/25/06	sheet 2 of 6	size	
				engr Bob Gu	12/22/17	A3		
				chr LQ Lei	12/22/17	10069524		
				appd Tim Yao	12/22/17	type Product Customer Drawing		
sheet index	revision sheet	E	1~6					

RECEPTACLE 1

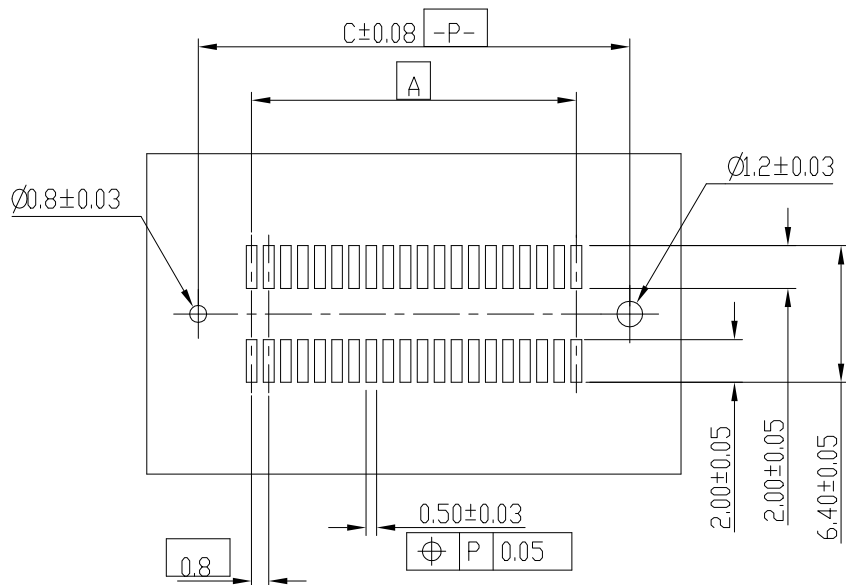
RECEPTACLE 1



RECOMMENDED PCB LAYOUT WITH PEGS  
FOR NO. OF POSITION 2X20, 2X30, 2X40, 2X50, 2X60



RECOMMENDED PCB LAYOUT WITHOUT PEGS



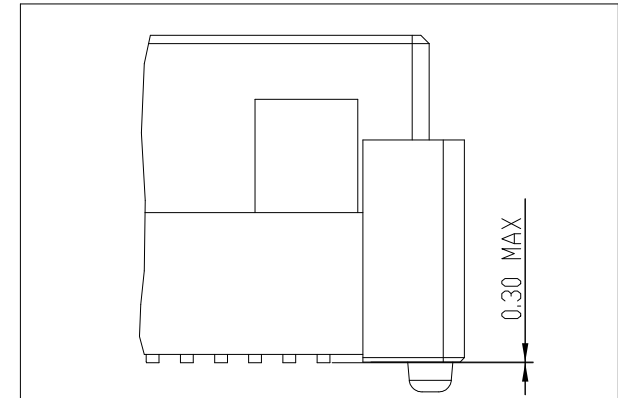
RECOMMENDED PCB LAYOUT WITH PEGS  
FOR NO. OF POSITION 2X70, 2X80, 2X90, 2X100

mat'l. code		surface ISO 1302 ✓		tolerance ISO 406 ISO 1101		projection		product family	
ltr		ecn no		dr		date		BERGSTAK HPL545	
E								title	
				angles linear		.0±.2		RECEPTACLE ASSY	
				X±2'		.00±.15		BERGSTAK 0.8MM	
						.000±.10		scale 1:1	
				dr		M. Cheong 08/25/06		dwg no	
				engr		Bob Gu 12/22/17		sheet 3 of 6	
				chr		LQ Lei 12/22/17		size	
				appd		Tim Yao 12/22/17		A3	
								type Product Customer Drawing	
sheet index		revision sheet		E 1~6					

Amphenol FCI

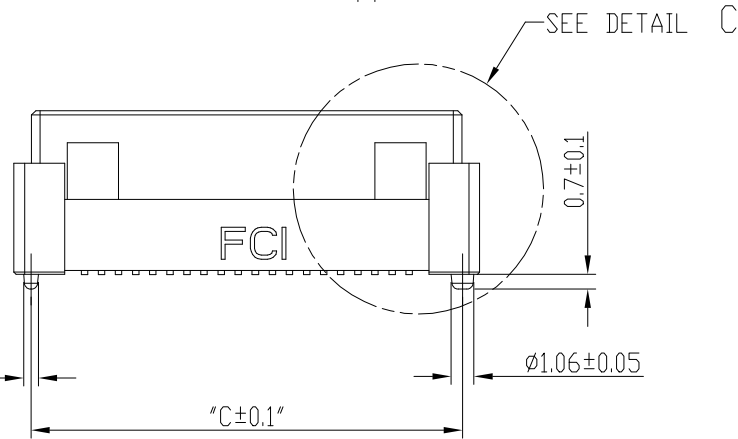
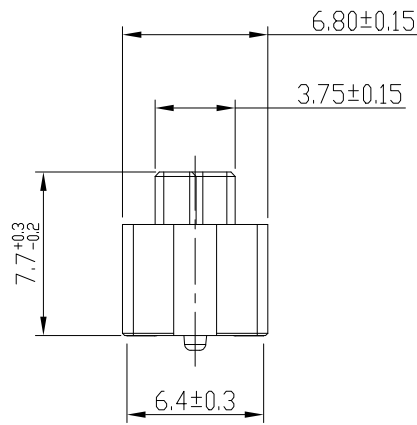
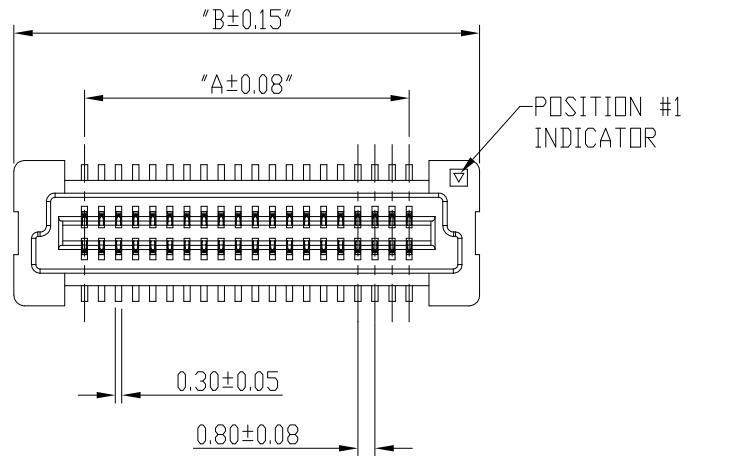
© 2016 AFCI

PRODUCT NO.	NUMBER OF POSITIONS	DIMENSION		
		A	B	C
10069524-042***	2X20	15.2	21.8	20.2
10069524-062***	2X30	23.2	29.8	28.2
10069524-082***	2X40	31.2	37.8	36.2
10069524-102***	2X50	39.2	45.8	44.2
10069524-122***	2X60	47.2	53.8	52.2
10069524-142***	2X70	55.2	61.8	60.2
10069524-162***	2X80	63.2	69.8	68.2
10069524-182***	2X90	71.2	77.8	76.2
10069524-202***	2X100	79.2	85.8	84.2



COPLANARITY OF TAIL  
0.1 MAX APPLIED TO 2X20 TO 2X100 PDS.

DETAIL C  
SCALE 8:1



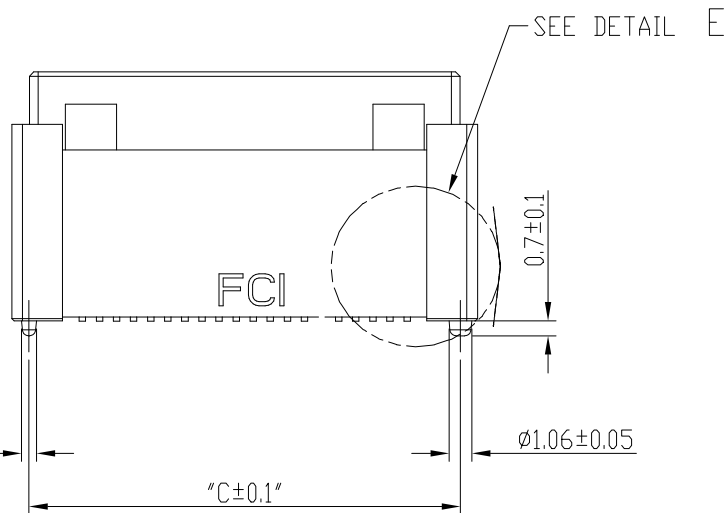
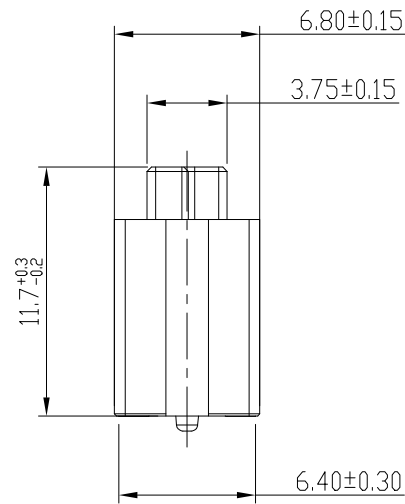
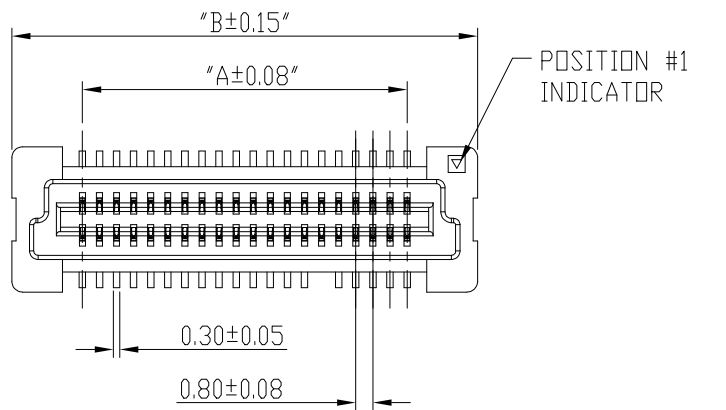
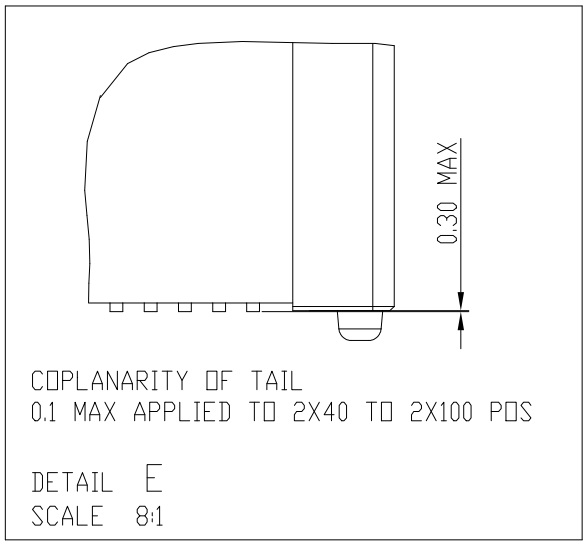
RECEPTACLE 2

mat'l. code		surface ISO 1302 ✓		tolerance ISO 406 ISO 1101		projection		product family	
ltr		ecn no		dr		date		BERGSTAK HPL545	
E								title	
								RECEPTACLE ASSY	
								BERGSTAK 0.8MM	
								dwg no	
								10069524	
								sheet 4 of 6	
								size	
								A3	
								type	
								Product Customer Drawing	
sheet index		revision sheet		E 1~6					

Amphenol FCI

© 2016 AFCI

PRODUCT NO.	NUMBER OF POSITIONS	DIMENSION		
		A	B	C
10069524-043***	2X20	15.2	21.8	20.2
10069524-063***	2X30	23.2	29.8	28.2
10069524-083***	2X40	31.2	37.8	36.2
10069524-103***	2X50	39.2	45.8	44.2
10069524-123***	2X60	47.2	53.8	52.2
10069524-143***	2X70	55.2	61.8	60.2
10069524-163***	2X80	63.2	69.8	68.2
10069524-183***	2X90	71.2	77.8	76.2
10069524-203***	2X100	79.2	85.8	84.2



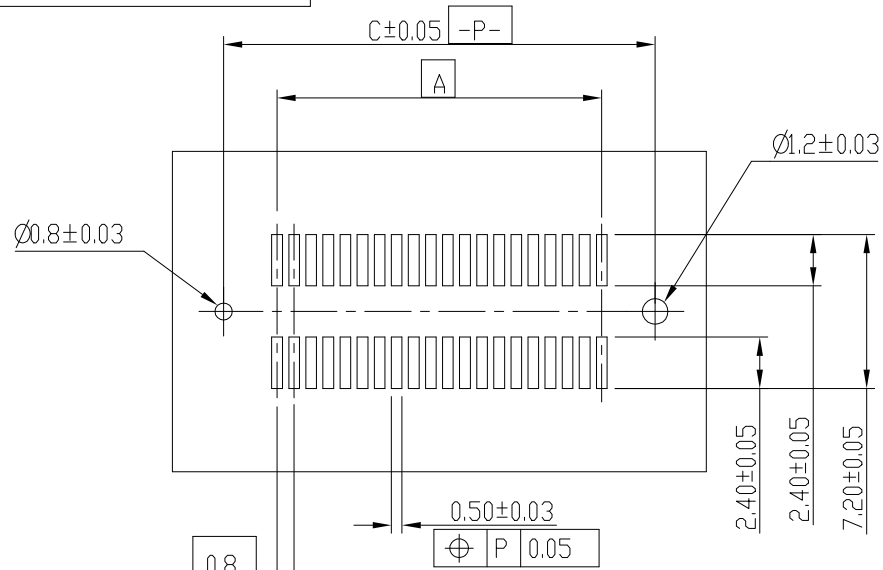
RECEPTACLE 3

mat'l. code		surface ISO 1302 ✓	tolerance ISO 406 ISO 1101	projection	product family BERGSTAK HPL545
ltr	ecn no	dr	date	tolerances unless otherwise specified	title
E				angles linear .0±.2 .00±.15 .000±.10	RECEPTACLE ASSY BERGSTAK 0.8MM
				X*2' scale 1:1	dwg no 10069524 sheet 5 of 6 size A3
				dr M. Cheong 08/25/06	type Product Customer Drawing
				engr Bob Gu 12/22/17	
				chr LQ Lei 12/22/17	
				appd Tim Yao 12/22/17	
sheet index	revision sheet	E 1~6			

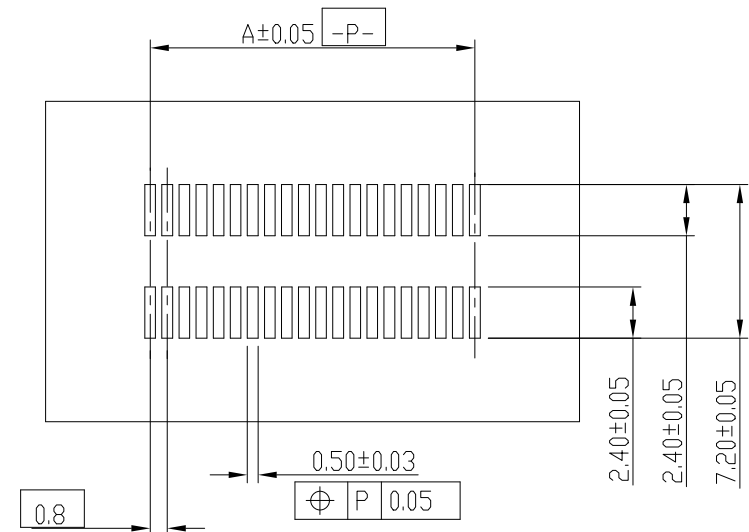
Amphenol FCI

© 2016 AFCI

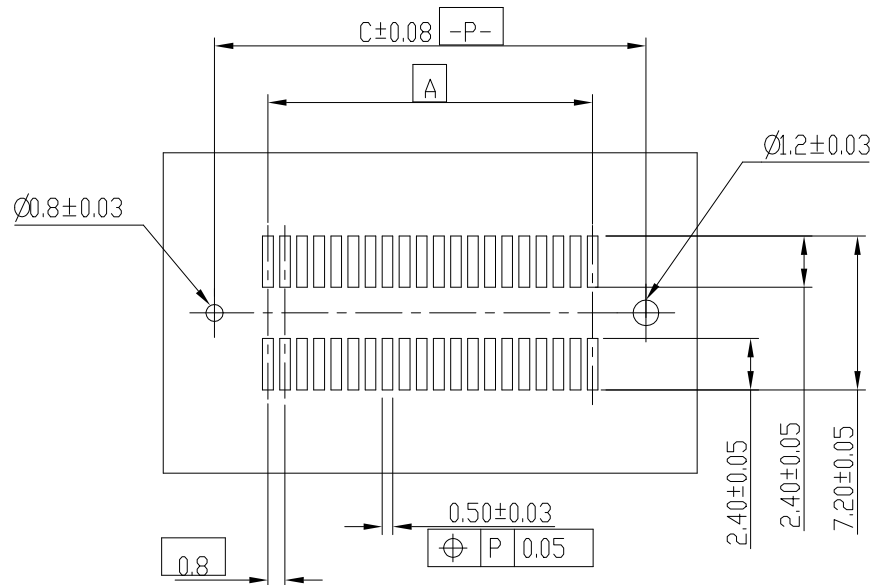
RECEPTACLE 2 & 3



RECOMMENDED PCB LAYOUT WITH PEGS  
FOR NO. OF POSITION 2X20, 2X30, 2X40, 2X50, 2X60



RECOMMENDED PCB LAYOUT WITHOUT PEGS AND HOLDDOWN



RECOMMENDED PCB LAYOUT WITH PEGS  
FOR NO. OF POSITION 2X70, 2X80, 2X90, 2X100

mat'l. code		surface	tolerance	projection	product family
		ISO 1302 ✓	ISO 406 ISO 1101		BERGSTAK HPL545
ltr	ecn no	dr	date	tolerances unless otherwise specified	title
E				linear	RECEPTACLE ASSY BERGSTAK 0.8MM
				mm	
				scale 1:1	
		dr	M. Cheong	08/25/06	dwg no
		engr	Bob Gu	12/22/17	sheet 6 of 6
		chr	LQ Lei	12/22/17	size
		appd	Tim Yao	12/22/17	A3
sheet index		revision	E	type Product Customer Drawing	
		sheet	1~6		

Amphenol FCI

© 2016 AFCI