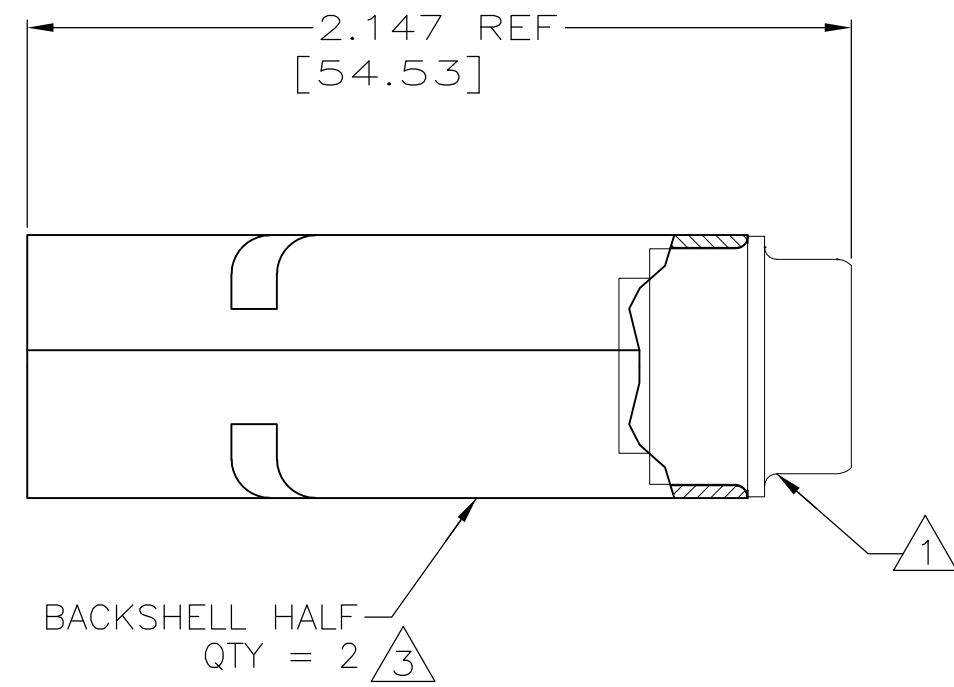
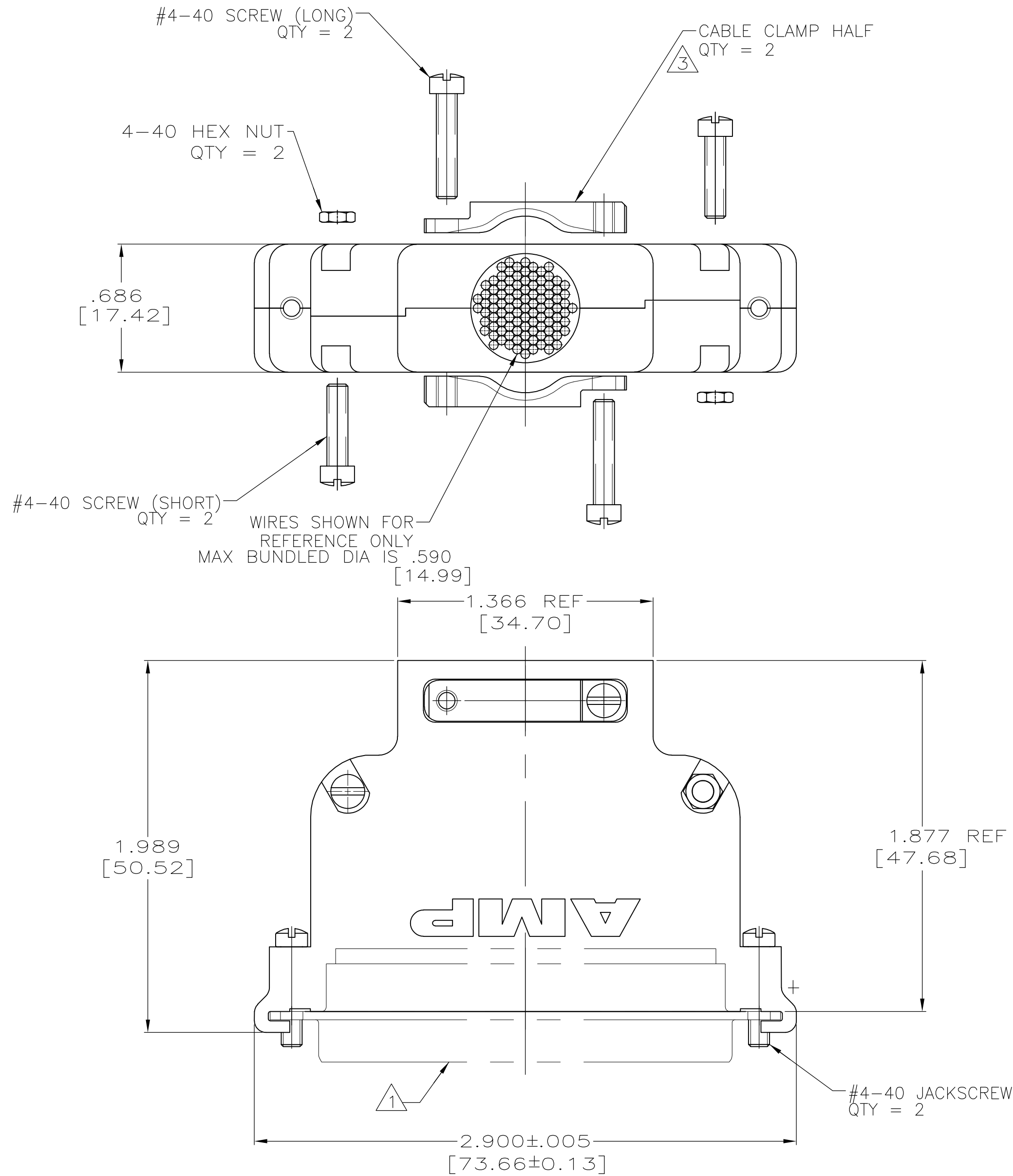


THIS DRAWING IS UNPUBLISHED. RELEASED FOR PUBLICATION
 © COPYRIGHT - By - ALL RIGHTS RESERVED.

LOC	DIST	REVISIONS					
DF	DO	P	LTR	DESCRIPTION	DATE	DWN	APVD
		P		REVISED PER ECO-11-005030	11MAR11	RK	HMR



- 1. AMPLIMITE CONNECTOR SHOWN FOR REFERENCE ONLY. NOT SUPPLIED WITH BACKSHELL.
- 2. BACKSHELL KIT SHIPPED UNASSEMBLED, SHOW ASSEMBLED FOR REFERENCE ONLY.
- 3. BACKSHELL & CABLE CLAMP MATERIAL:
ALUMINUM PER ASTM-B-221
BACKSHELL & CABLE CLAMP FINISH:
ELECTROLESS NICKEL PER MIL-C-26074, CLASS I
- 4. MOUNTING HARDWARE MATERIAL & FINISH:
CARBON STEEL PER ASTM-A-108
ZINC PLATED PER ASTM-B-633, CLEAR CHROMATE

1218407-1
PART NO.

THIS DRAWING IS A CONTROLLED DOCUMENT.		DWN C.C.THOMAS 2-9-99	TE TE Connectivity		
DIMENSIONS: INCHES[MM]		CHK J.NORTON 3-10-99			
TOLERANCES UNLESS OTHERWISE SPECIFIED:		APVD J.NORTON 3-10-99	NAME AMPLIMITE KIT, SIZE 6, TWO PIECE ALUMINUM BACKSHELL		
0 PLC ± - 1 PLC ± - 2 PLC ± - 3 PLC ± .010 [0.25] 4 PLC ± - ANGLES ± -		PRODUCT SPEC APPLICATION SPEC	SIZE A2	CAGE CODE 00779	DRAWING NO 1218407
MATERIAL SEE CALLOUTS		FINISH SEE CALLOUTS	WEIGHT -	RESTRICTED TO -	SCALE 2:1
CUSTOMER DRAWING			SHEET 1 of 1	REV P	