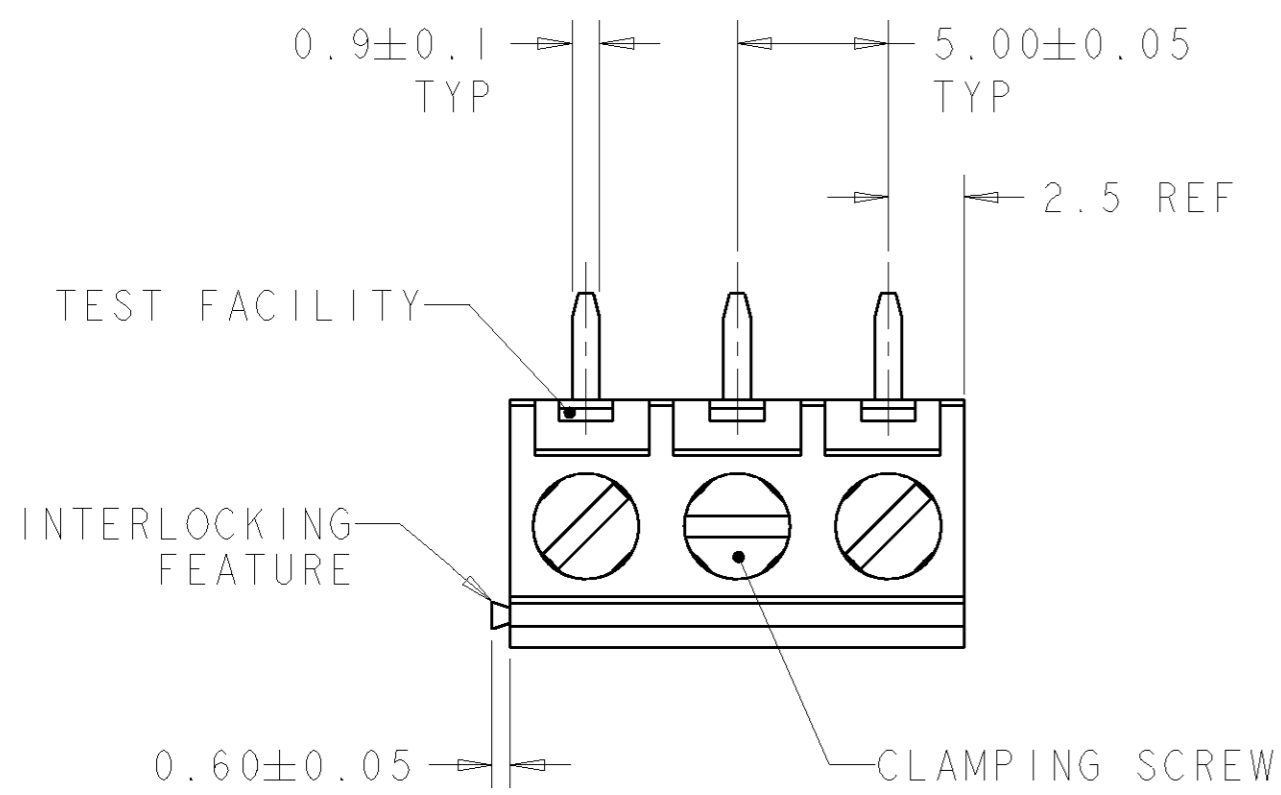
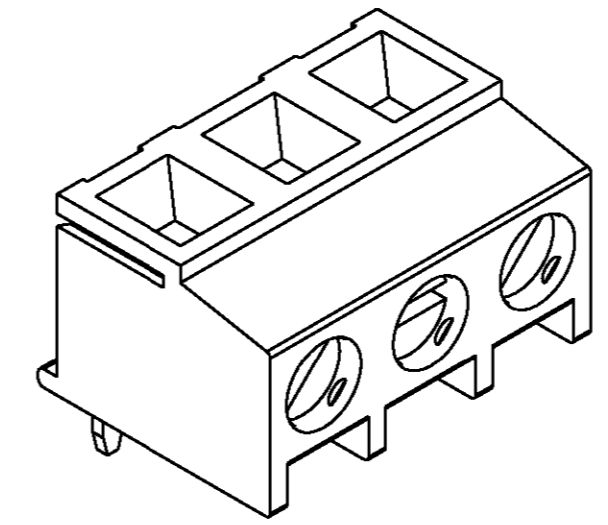
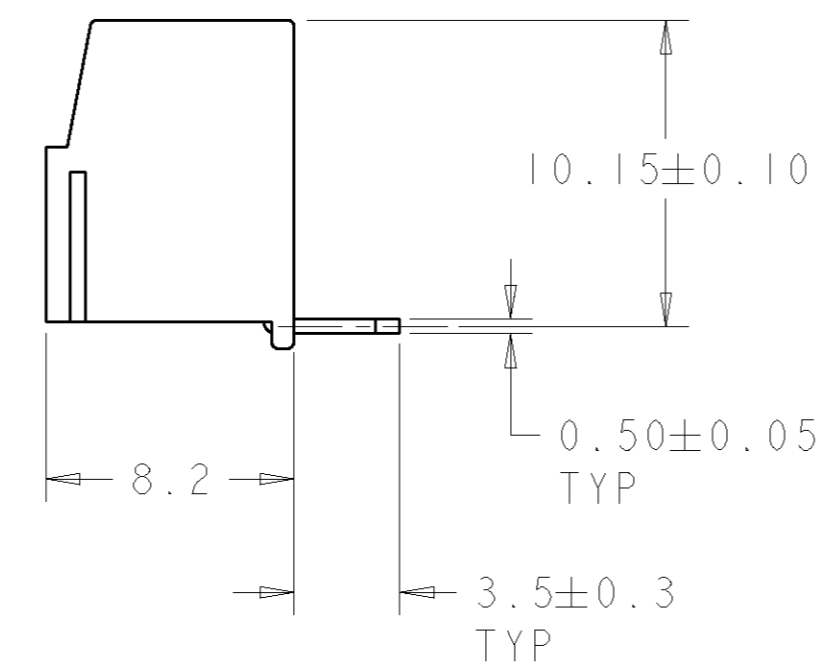
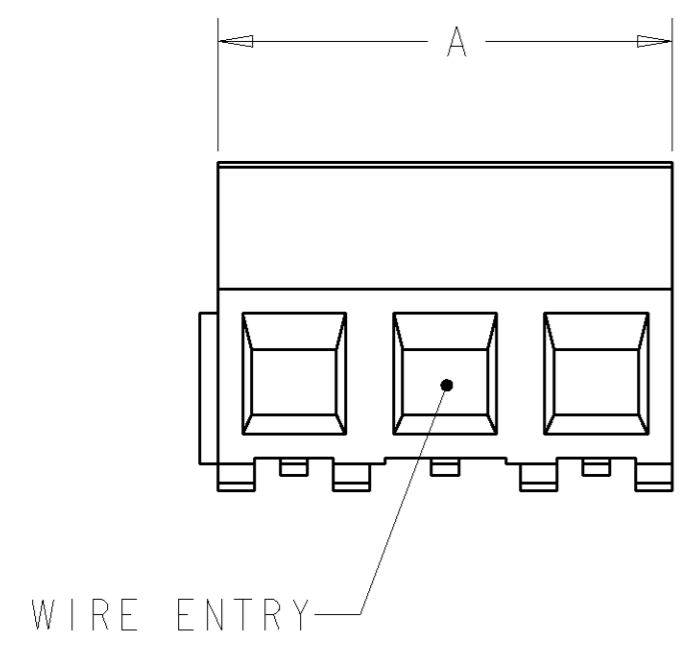


THIS DRAWING IS UNPUBLISHED. RELEASED FOR PUBLICATION 20
 © COPYRIGHT 20 BY TYCO ELECTRONICS CORPORATION. ALL RIGHTS RESERVED.

LOC	DIST	REVISIONS					
FT	0	P	LTR	DESCRIPTION	DATE	DWN	APVD
			A	RELEASED	-	-	-

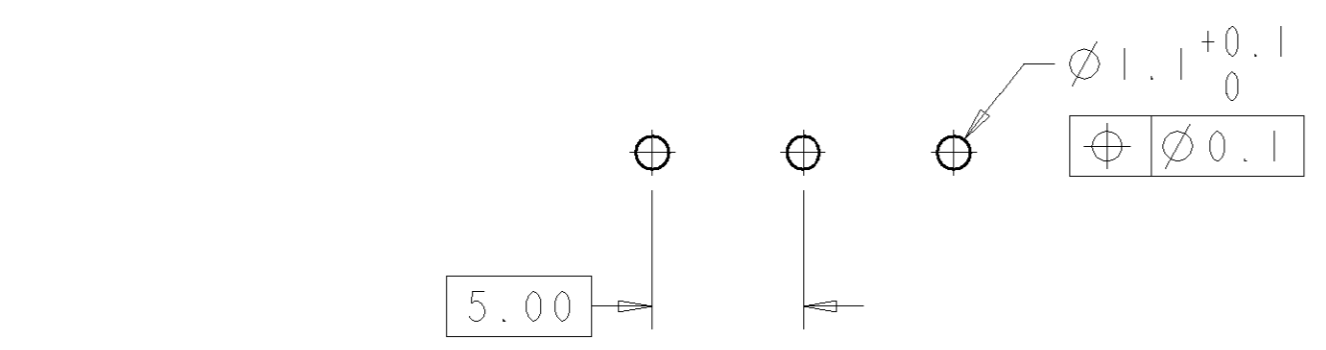


- ⚠ MATERIALS AND FINISH
 HOUSING: PA 6-6, UL 94-V0, COLOR: GRAY.
 CLAMP: BRASS, NICKEL PLATED.
 TERMINAL: BRASS, TIN PLATED.
 CLAMPING SCREW: M3, BRASS, NICKEL PLATED.
- SUITABLE FOR 1,6-2,4mm PC BOARD THICKNESS.
 - END-TO-END STACKABLE W/INTERLOCK WITHOUT LOSS OF CENTERLINE SPACING.
 - WIRE SIZE RANGE: 16-30 AWG.



1546225-3 AS SHOWN

A	NO OF POSN	PART NUMBER
125.0	25	2-1546225-5
120.0	24	2-1546225-4
115.0	23	2-1546225-3
110.0	22	2-1546225-2
105.0	21	2-1546225-1
100.0	20	2-1546225-0
95.0	19	1-1546225-9
90.0	18	1-1546225-8
85.0	17	1-1546225-7
80.0	16	1-1546225-6
75.0	15	1-1546225-5
70.0	14	1-1546225-4
65.0	13	1-1546225-3
60.0	12	1-1546225-2
55.0	11	1-1546225-1
50.0	10	1-1546225-0
45.0	9	1546225-9
40.0	8	1546225-8
35.0	7	1546225-7
30.0	6	1546225-6
25.0	5	1546225-5
20.0	4	1546225-4
15.0	3	1546225-3
10.0	2	1546225-2



RECOMMENDED PC BOARD LAYOUT

THIS DRAWING IS A CONTROLLED DOCUMENT FOR TYCO ELECTRONICS CORPORATION. IT IS SUBJECT TO CHANGE AND THE CONTROLLING ENGINEERING ORGANIZATION SHOULD BE CONTACTED FOR THE LATEST REVISION.		DWN S. WELDON 10MAR2004	BUCHANAN Tyco Electronics Harrisburg, PA 17105-3608	
DIMENSIONS: mm		CHK C. RICHARD 10MAR2004	NAME TERMINAL BLOCK, PCB MOUNT TOP ENTRY WIRE, STACKING W/INTERLOCK, 5.00mm PITCH	
TOLERANCES UNLESS OTHERWISE SPECIFIED: 0 PLC ±.3 1 PLC ±.25 2 PLC ±.25 3 PLC ±.25 4 PLC ±.25 ANGLES ±2		APVD C. RICHARD 10MAR2004	PRODUCT SPEC 108-20166	
MATERIAL		APPLICATION SPEC 114-20079	RESTRICTED TO	
FINISH		WEIGHT -	SIZE A2	CAGE CODE 00779
CUSTOMER DRAWING		DRAWING NO 1546225		SCALE 4:1
		SHEET 1		OF 1
		REV A		