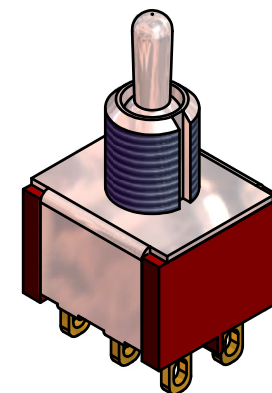
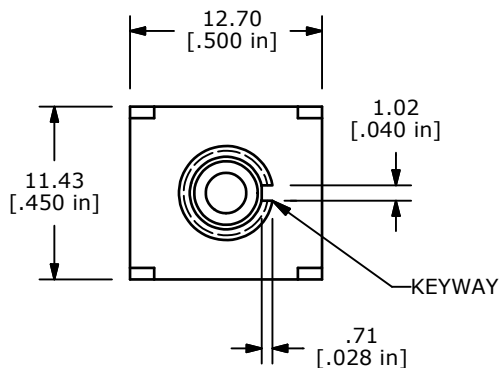
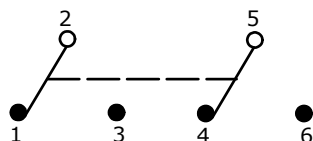


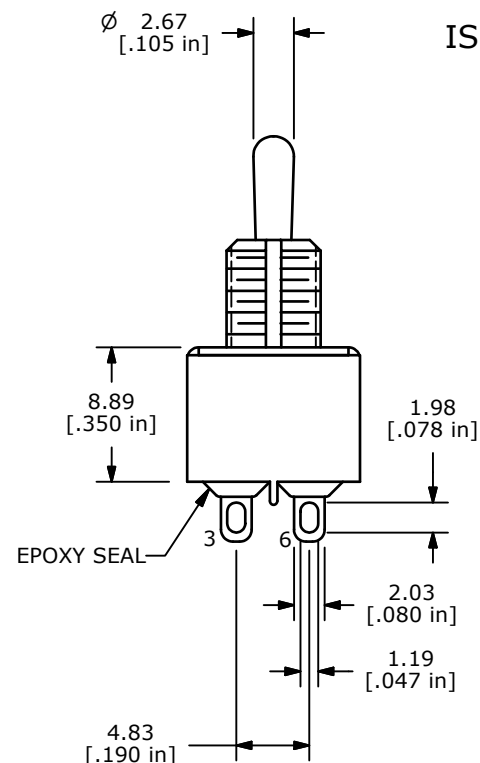
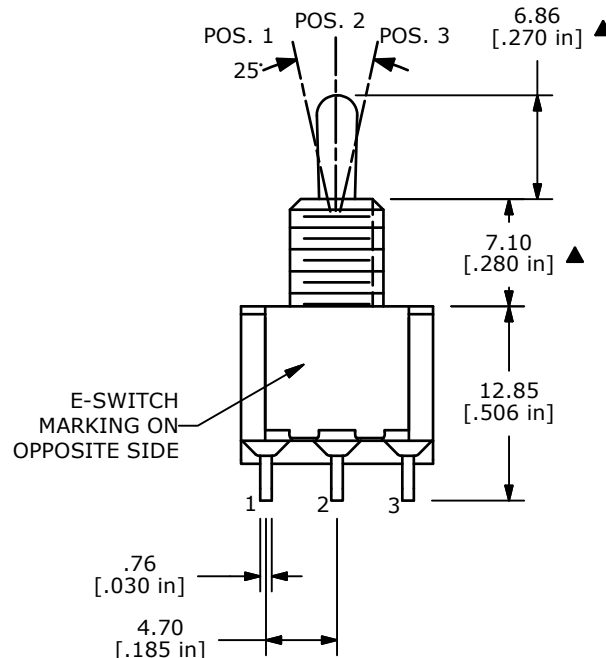
SWITCH FUNCTION		
POS. 1	POS. 2	POS. 3
(ON)	OFF	(ON)
2-3,5-6	OPEN	2-1,5-4



ISOMETRIC



CIRCUIT: DPDT



NOTE:

1. ALL DIMENSIONS IN MM [INCH]
2. GENERAL TOLERANCE: X.X=±0.4  
X.XX=±0.25
3. TERMINAL NUMBERS FOR REF ONLY
- ▲4. PLATING MATERIAL: SILVER
5. RATING: 2Amps@ 250VAC  
5Amps@ 120VAC or 28VDC
6. ELECTRIC LIFE: 40,000 make-and-break cycles at full load.
7. INSULATION RESISTANCE: 1,000 Mega-ohm min.
8. DIELECTRIC STRENGTH: 1,000 V RMS @sea level.
9. OPERATING TEMP.: -30°C to 85°C
10. ▲ DENOTES CRITICAL PARAMETER.
11. 2002/95/EC (ROHS) COMPLIANT

C	21563	Corrected Switch Function	9/2/14	BLR
B	19057	CORRECT SWITCH FUNCTION TABLE	5/6/10	BLR
A	18944	Release For Production	3/19/10	BLR
REV	PCR NO	DESCRIPTION	DATE	BY



TITLE 100DP4T2B3M1QE				
SCALE 2:1	DATE 5/6/2010	DR BLR	DWG T124017	REV C

THE INFORMATION CONTAINED IN THIS DOCUMENT IS PROPRIETARY TO E-SWITCH AND IS NOT TO BE COPIED OR TRANSFERRED