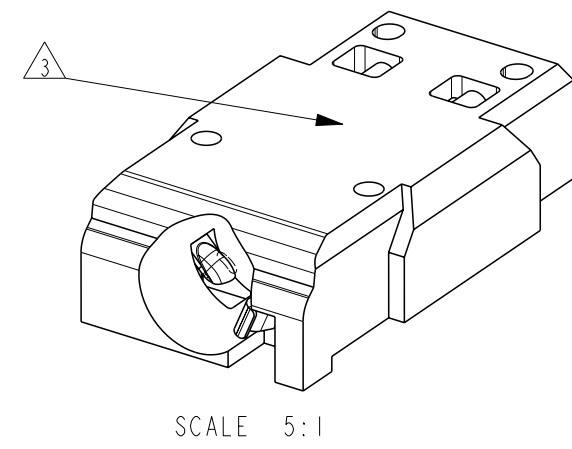
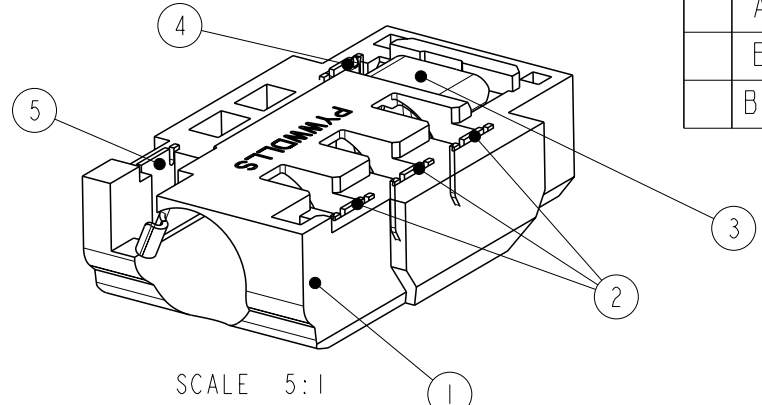
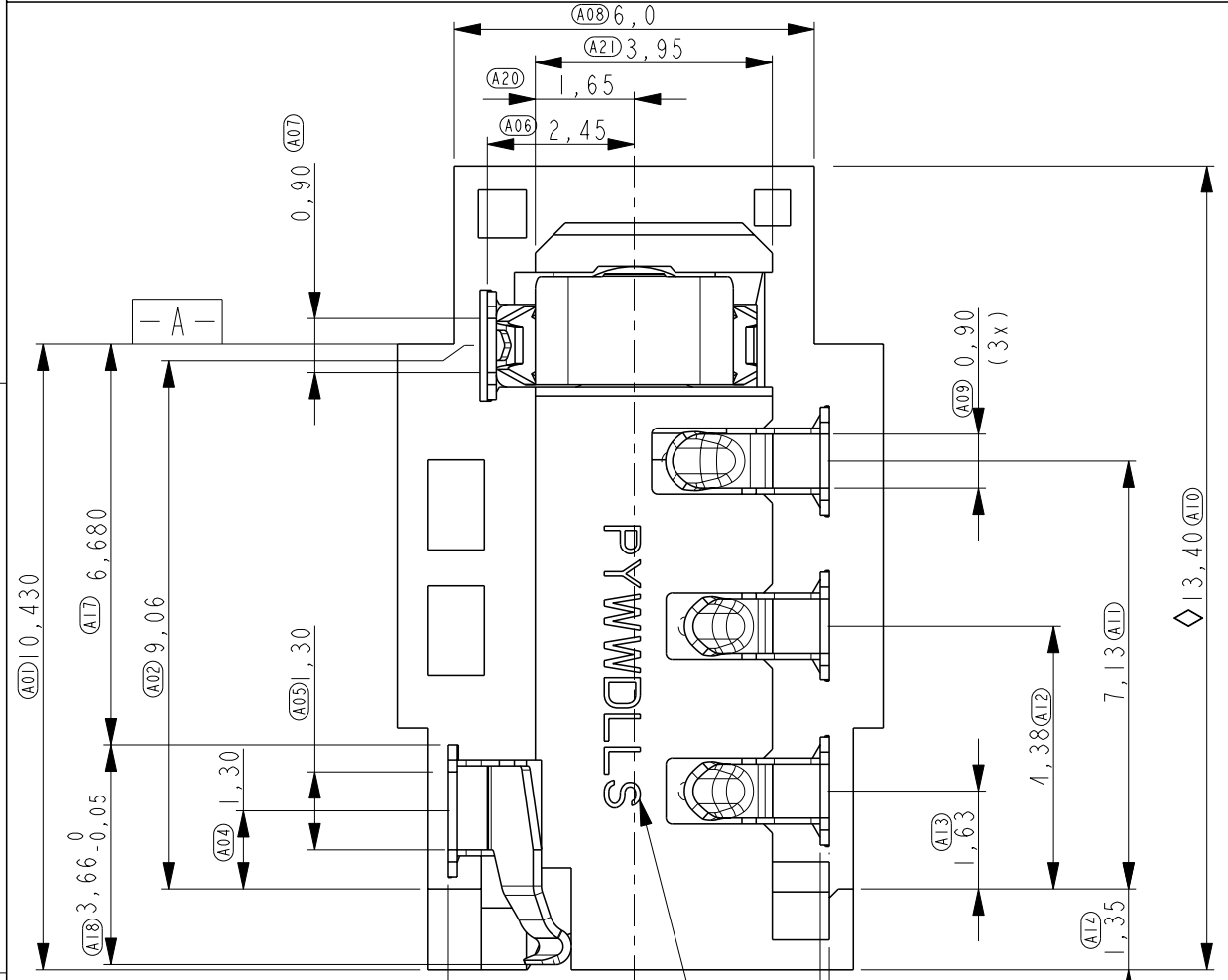


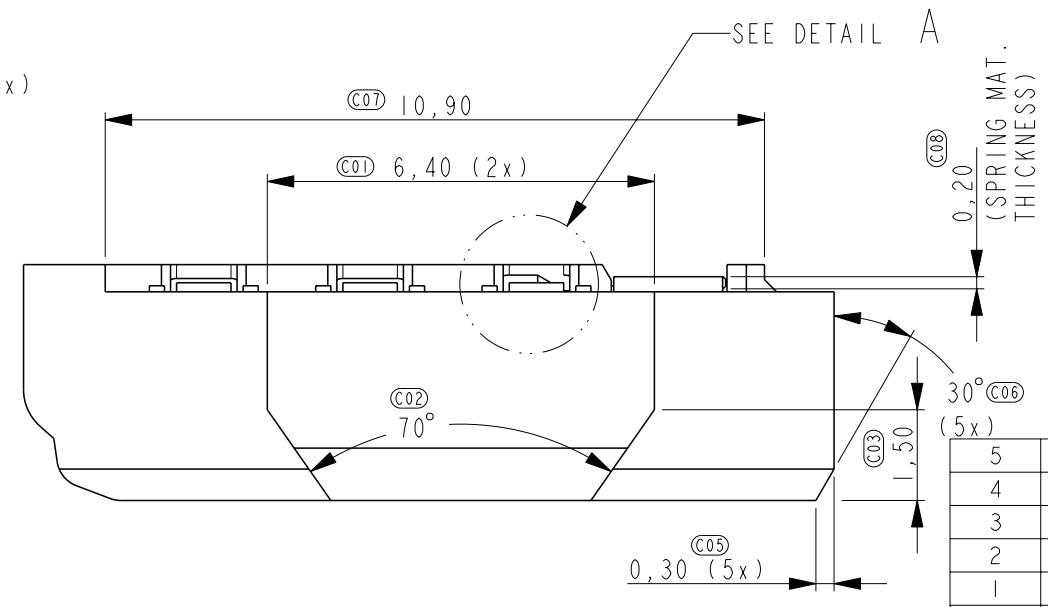
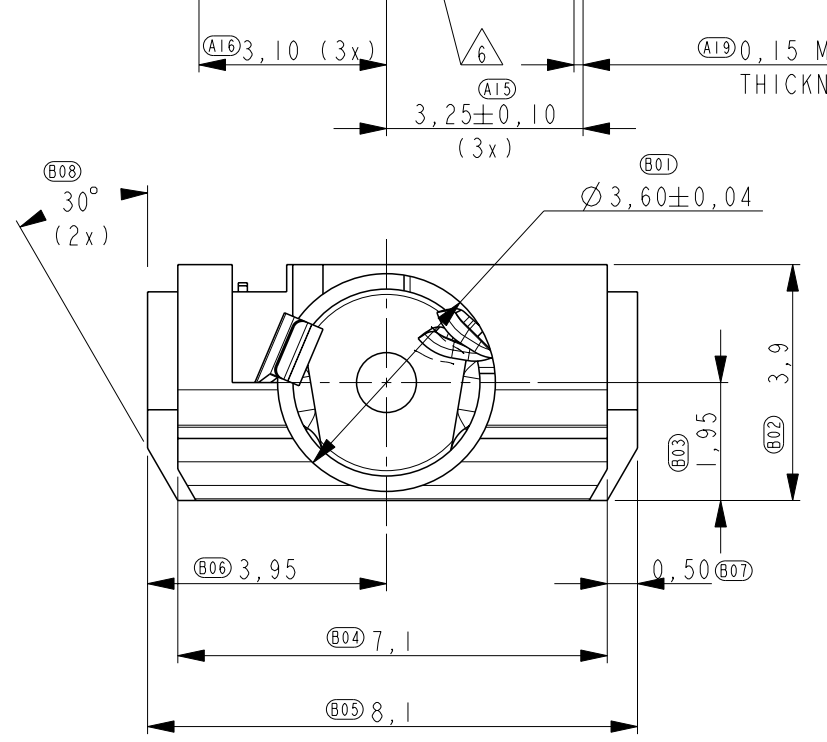
THIS DRAWING IS UNPUBLISHED. RELEASED FOR PUBLICATION
 © COPYRIGHT - BY TYCO ELECTRONICS CORPORATION. ALL RIGHTS RESERVED.

LOC	DIST	REVISIONS					
		P	LTR	DESCRIPTION	DATE	DWN	APVD
H	-		I	FIRST ISSUE	07FEB2014	MG	MW
			A	ECR-14-008506	03JUL2014	RK	MG
			B	ECR-14-010328	14JUL2014	RK	MG
			BI	ECR-14-011735	13AUG2014	MG	DH

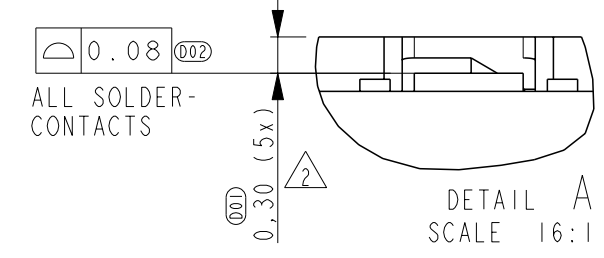


NOTES:

- 1 TE PART NUMBER 2173752-2 AS SHOWN.
- 2 COPLANARITY OF SOLDER SURFACES 0,08 MAX.
- 3 VACUUM PICK AND PLACE AREA. SEE ALSO SHEET 2
- 4 PLATING:
 UNDER LAYER: 2 µm MIN. NICKEL OVERALL
 CONTACT AREA: 0,1 µm MIN. GOLD OVER 0,3 µm MIN PdNi
 SOLDER AREA: 0.1 µm Goldflash
- 5 -
- 6 MARKING: P=PRODUCTION LOCATION, Y=YEAR, WW=WEEK, D=DAY, LL=PRODUCTION LINE, S=SHIFT.
- 7 PACKAGING IN EIA 481-D; 1700 PRODUCTS PER REEL
 REEL DIMENSION: 380 DIA.
- 8 PLATING: CONTACT AREA: 0,1 µm MIN. GOLD ON CONTACT TIP



ITEM NO.	DESCRIPTION	MATERIAL	FINISH
5	SLEEVE CONTACT	CU ALLOY	NOTE 4
4	DETECTION CONTACT	CU ALLOY	NOTE 4
3	RETENTION SPRING CONTACT	STAINLESS STEEL	NOTE 8
2	AV SIGNAL CONTACTS	CU ALLOY	NOTE 4
1	HOUSING	PA	-

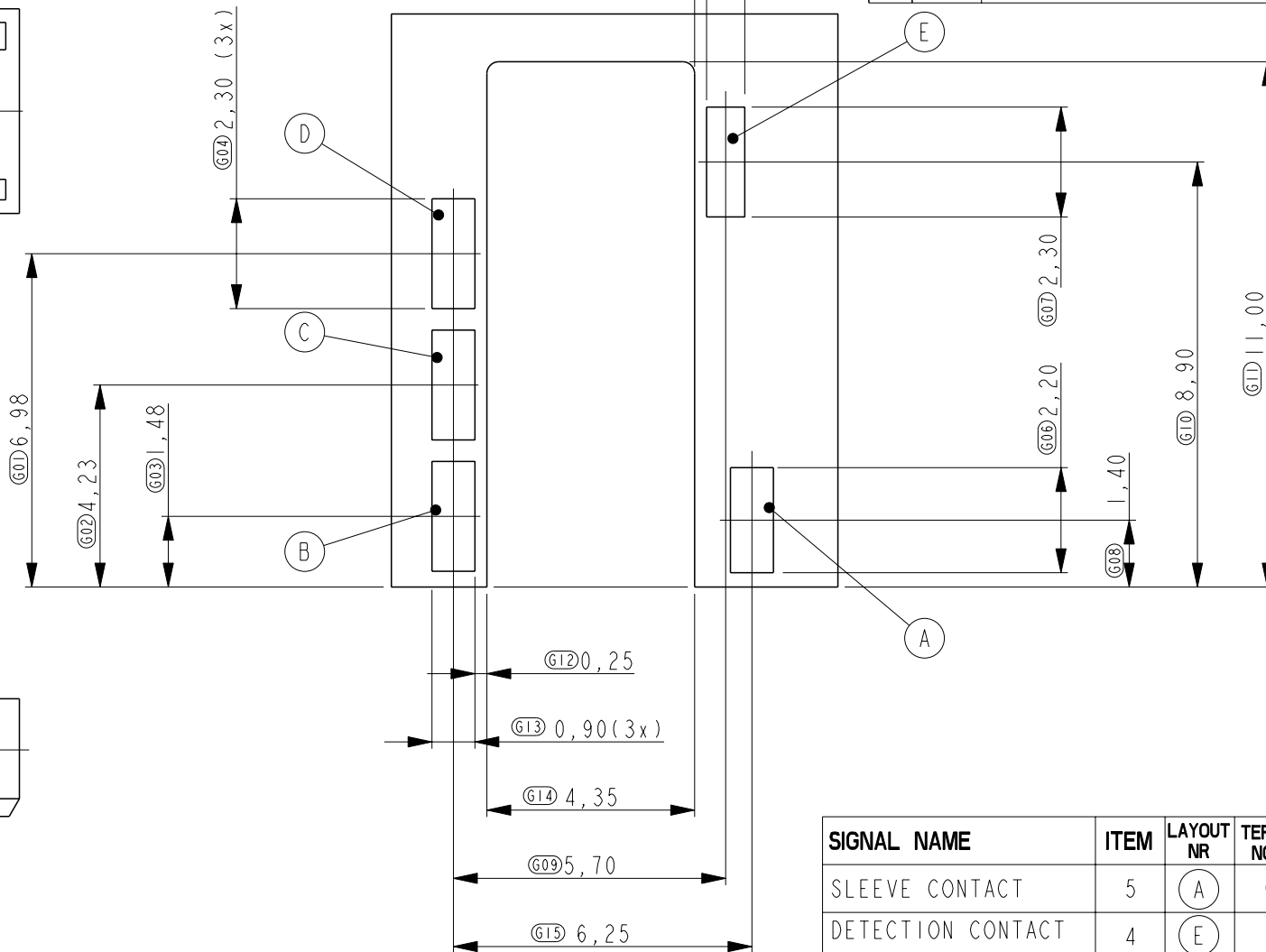
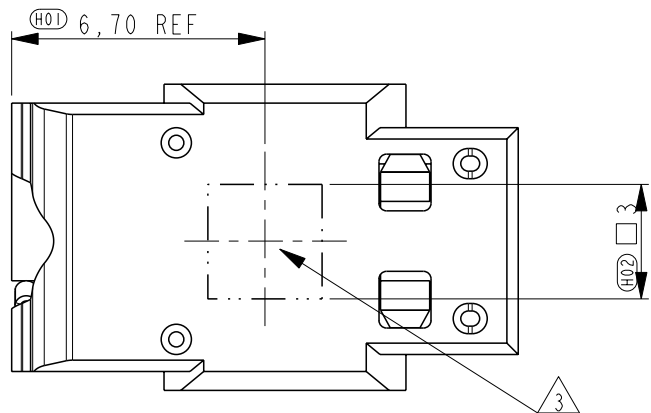
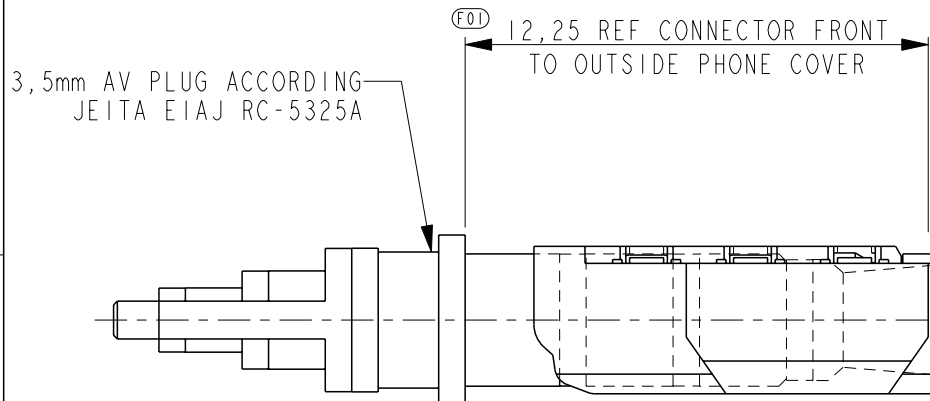
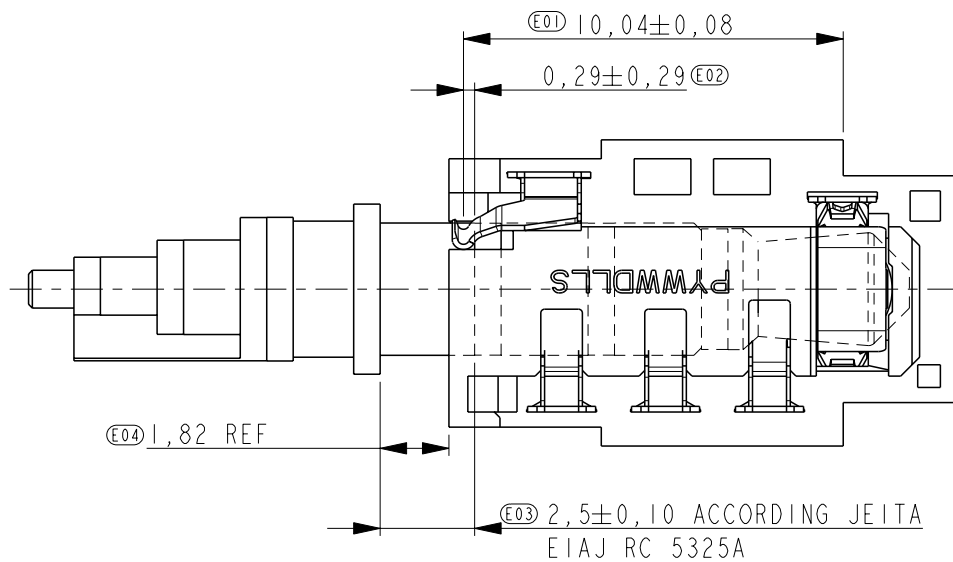


THIS DRAWING IS A CONTROLLED DOCUMENT.		DWN	07APR2014
		CHK	07APR2014
		APVD	07APR2014
		PRODUCT SPEC	M. Gosselink
		APPLICATION SPEC	M. Westen
		WEIGHT	108-19470
			114-19153
		Customer Drawing	0.33 gr

TE TE Connectivity			
NAME 3,5mm AV FLEX CONNECTOR			
SIZE	CAGE CODE	DRAWING NO	RESTRICTED TO
A3	00779	C-2173752	-
SCALE 8:1		SHEET 1 OF 3	REV BI

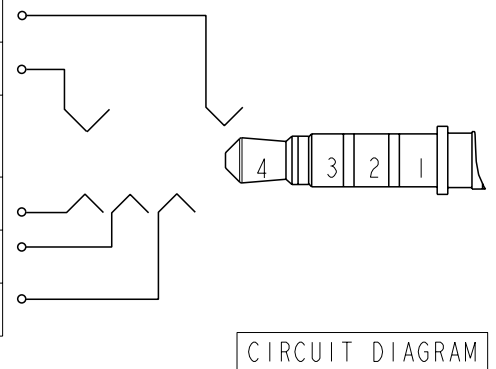
THIS DRAWING IS UNPUBLISHED. RELEASED FOR PUBLICATION
 © COPYRIGHT - BY TYCO ELECTRONICS CORPORATION. ALL RIGHTS RESERVED.

LOC	DIST	REVISIONS			
P	LTR	DESCRIPTION	DATE	DWN	APVD
H	-	SEE SHEET 1	-	-	-



RECOMMENDED FPC SOLDER LAYOUT
(VIEW FROM COMPONENT SIDE)

SIGNAL NAME	ITEM	LAYOUT NR	TERMINAL NO
SLEEVE CONTACT	5	(A)	(1)
DETECTION CONTACT	4	(E)	(4)
TIP CONTACT	2	(D)	(4)
R1 CONTACT	2	(C)	(3)
R2 CONTACT	2	(B)	(2)



THIS DRAWING IS A CONTROLLED DOCUMENT.		DWN 07APR2014 M. Gosselink		TE Connectivity	
DIMENSIONS: mm		CHK 07APR2014 M. Gosselink			
TOLERANCES UNLESS OTHERWISE SPECIFIED:		APVD 07APR2014 M. Westen		NAME 3,5mm AV FLEX CONNECTOR	
0 PLC ±0,20 1 PLC ±0,10 2 PLC ±0,05 3 PLC ±0,025 4 PLC ± ANGLES ±2°		PRODUCT SPEC 108-19479		SIZE CAGE CODE DRAWING NO RESTRICTED TO	
MATERIAL -		APPLICATION SPEC 114-19153		A3 00779 C-2173752	
FINISH -		WEIGHT 0.33 gr		SCALE 8:1 SHEET 2 OF 3 REV B1	
Customer Drawing					

THIS DRAWING IS UNPUBLISHED.

RELEASED FOR PUBLICATION

© COPYRIGHT - BY TYCO ELECTRONICS CORPORATION. ALL RIGHTS RESERVED.

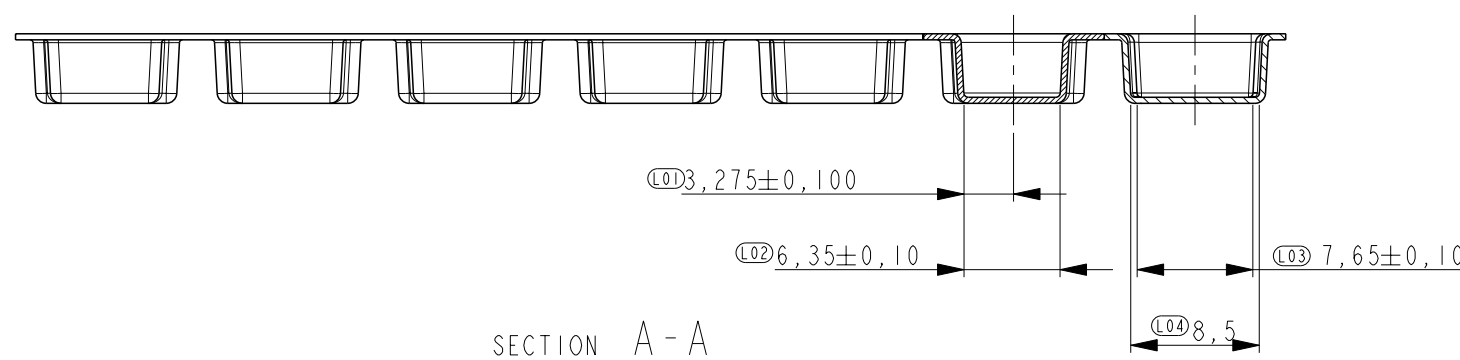
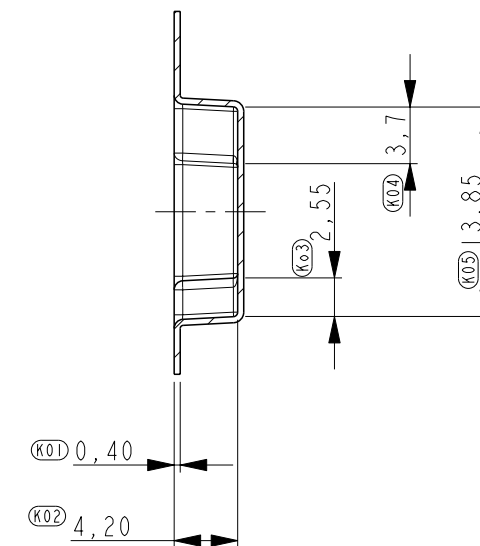
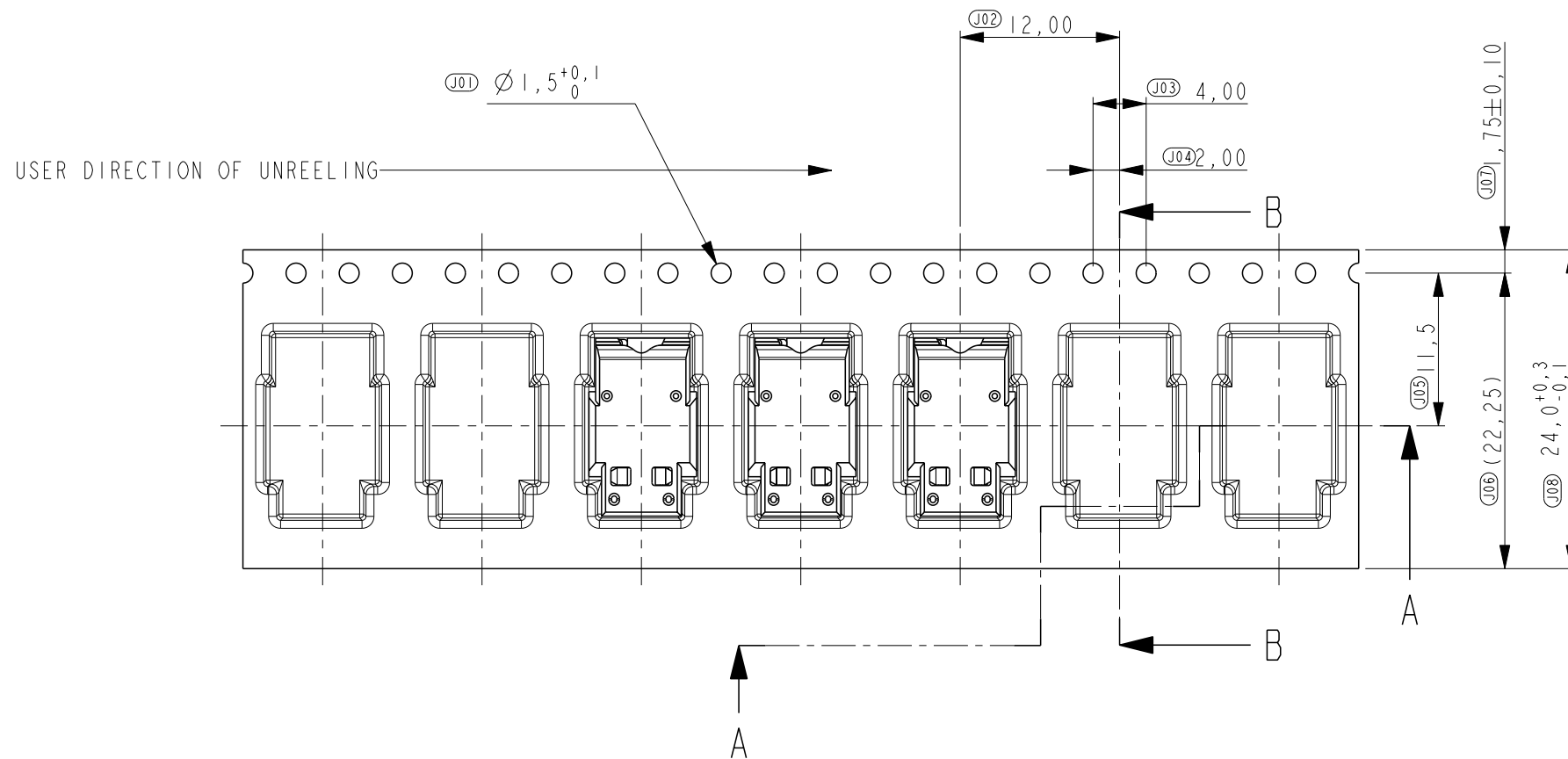
LOC
H

DIST
-

REVISIONS

P	LTR	DESCRIPTION	DATE	DWN	APVD
-	-	SEE SHEET 1	-	-	-

PACKAGING QUANTITY		
PCS/REEL	REEL/BOX	PCS/BOX
1700	8	13600



THIS DRAWING IS A CONTROLLED DOCUMENT.

DIMENSIONS:	TOLERANCES UNLESS OTHERWISE SPECIFIED:
mm	
	0 PLC ±0,20
	1 PLC ±0,10
	2 PLC ±0,05
	3 PLC ±0,025
	4 PLC ±
	ANGLES ±2°
MATERIAL	FINISH
-	-

DWN	07APR2014
M. Gosselink	
CHK	07APR2014
M. Gosselink	
APVD	07APR2014
M. Westen	
PRODUCT SPEC	108-19479
APPLICATION SPEC	114-19153
WEIGHT	0.33 gr
Customer Drawing	

TE Connectivity		NAME	
		3,5mm AV FLEX CONNECTOR	
SIZE	CAGE CODE	DRAWING NO	RESTRICTED TO
A3	00779	C=2173752	-
SCALE 8:1		SHEET 3 OF 3	REV B1