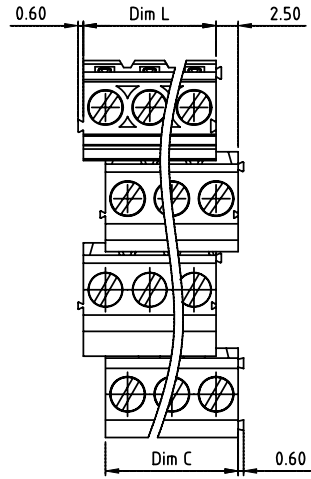


PRODUCT NUMBER	PITCH
YTxx01x000J0G	5.00 mm



DIMENSION

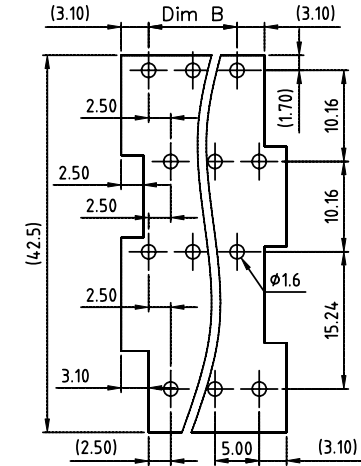
Dim L	N/4x5.0
Dim B	(N/4-1)x5.0
Dim C	N/4x5.0

N=Number of poles

Poles	Tolerance
8poles~24poles	±0.15
28poles~48poles	±0.25
52poles~72poles	±0.35
76poles~96poles	±0.40

PART NO.: YT xx 01 x 0 00J0 G

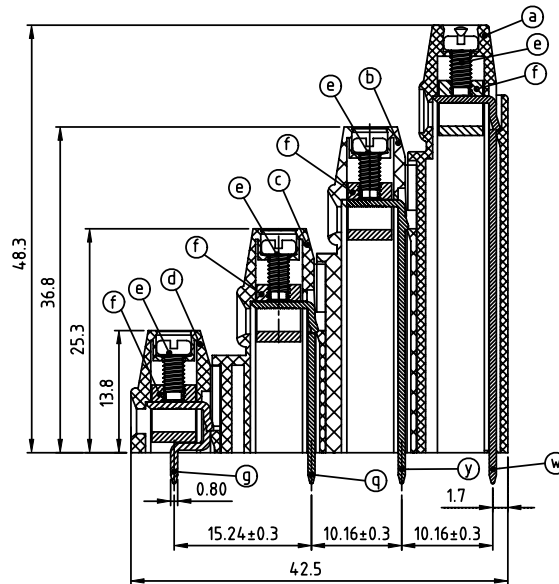
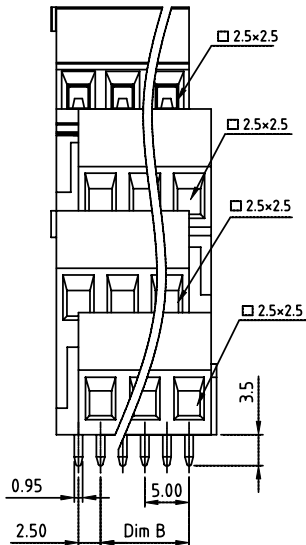
- | | | |
|---------------|---------------------|-----------------|
| End stackable | Color | RoHS compliant |
| No. of poles | 0 Black (RAL9005) | (lead<4%) |
| 08 4x2 poles | 2 Red (RAL3001/D) | In copper Alloy |
| 12 4x3 poles | 3 Orange(RAL2011/P) | |
| | 4 Yellow(RAL1018/A) | |
| 96 4x24 poles | 5 Green(RAL6018/T) | |
| | 6 Blue (RAL5015/A) | |
| | 8 Grey(RAL7035/D) | |
| | 9 White(RAL1102) | |
| | C Green(RAL6018/U) | |



RECOMMENDED P.C.B LAYOUT
TOP VIEW

Material:

- Item ① Terminal housing : Thermoplastic (UL94 V-0)(YR5.0)
 - Item ② Terminal housing : Thermoplastic (UL94 V-0)(YF5.0)
 - Item ③ Terminal housing : Thermoplastic (UL94 V-0)(YE5.0)
 - Item ④ Terminal housing : Thermoplastic (UL94 V-0)(YD5.0)
 - Item ⑤ Terminal screw : Steel Zinc plating "-" slot type
 - Item ⑥ Clamp : Brass , Ni plating
 - Item ⑦ Solder pin1 : Brass, Tin plated
 - Item ⑧ Solder pin2 : Brass, Tin plated
 - Item ⑨ Solder pin3 : Brass, Tin plated
 - Item ⑩ Solder pin4 : Brass, Tin plated
- Electrical cULus
- Voltage rating: 300VAC
 - Current rating: 10A
 - Wire range:
 - Solid wire(AWG): 12-24
 - Stranded wire(AWG): 12-24
 - Torque(Lb-In): 3.5
 - Screw: M2.5
 - Wire strip length: 6-7mm
 - Withstanding Voltage: 1.6KV
 - Operating temperature: -40°C to +115°C
 - Soldering temperature: 260°C±5°C/5 Sec
 - Safety Approval:



mat'l. code		surface ASME Y14.5	tolerance ASME Y14.5	projection	product family
ltr ecn no dr date		tolerances unless otherwise specified			TERMINAL BLOCK
		angles	X.±0.5	MM	title
		X°±1'	X.X±0.3		TERMINAL BLOCK
			X.XX±0.1	scale	RISING CLAMP,180D WIRE INLET,END STACKABLE
		dr	EVIN ZHONG 041114		dwg no
		enr	EVIN ZHONG 041114		sheet 1 of 1
		chr	HANKE FENG 041114		size
		appd	SHI JUN 041114		A4
sheet index	revision sheet				type
	A 1				CUSTOMER Drawing