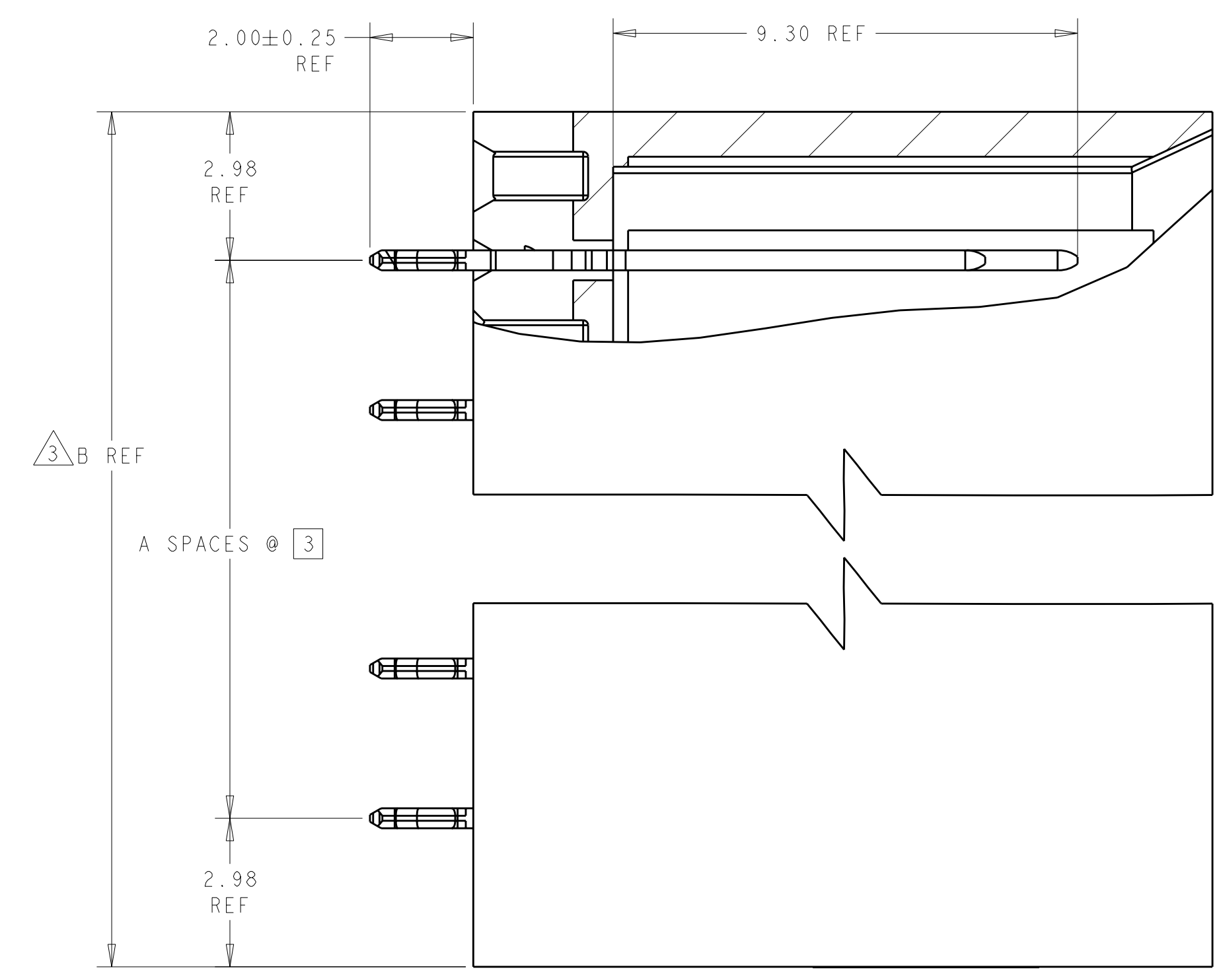
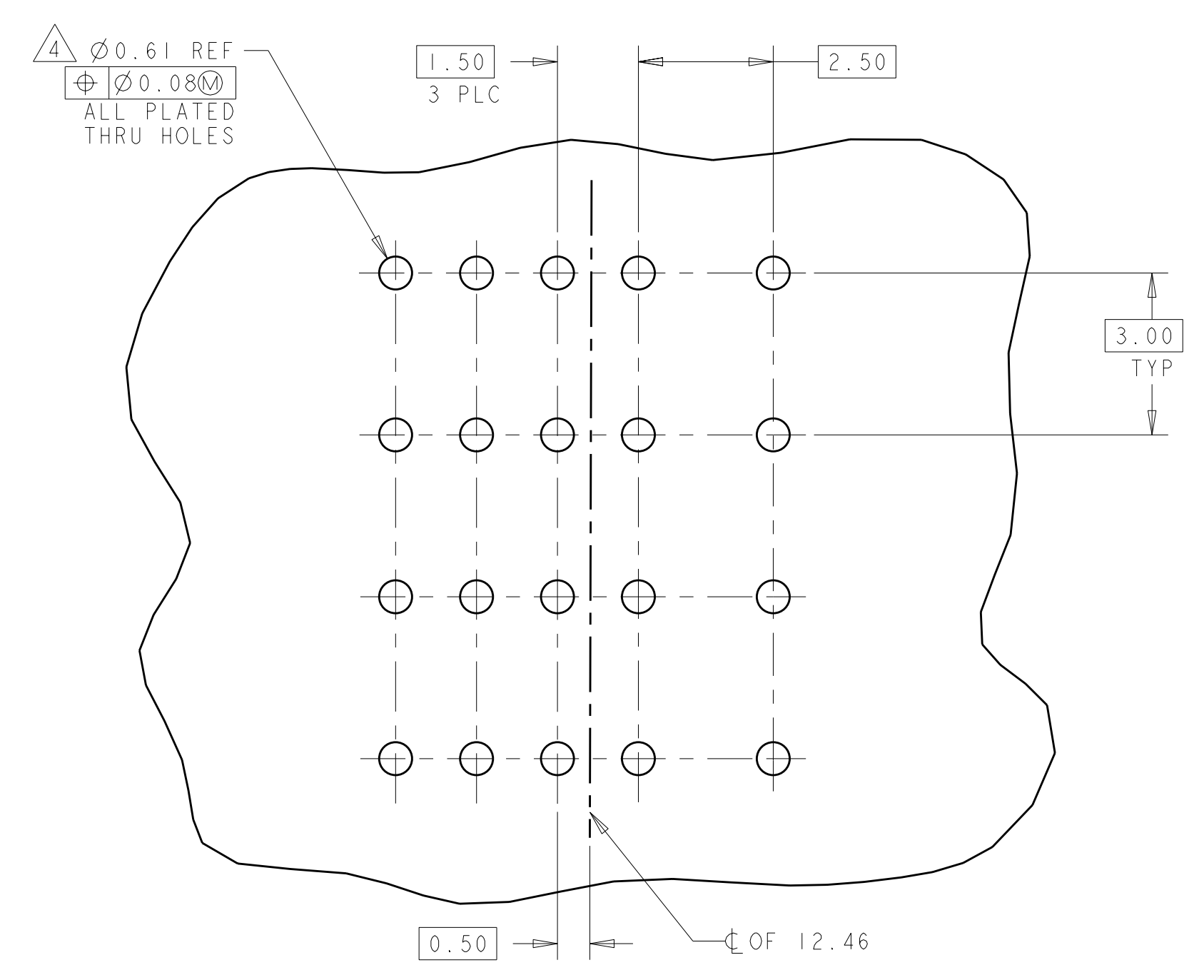
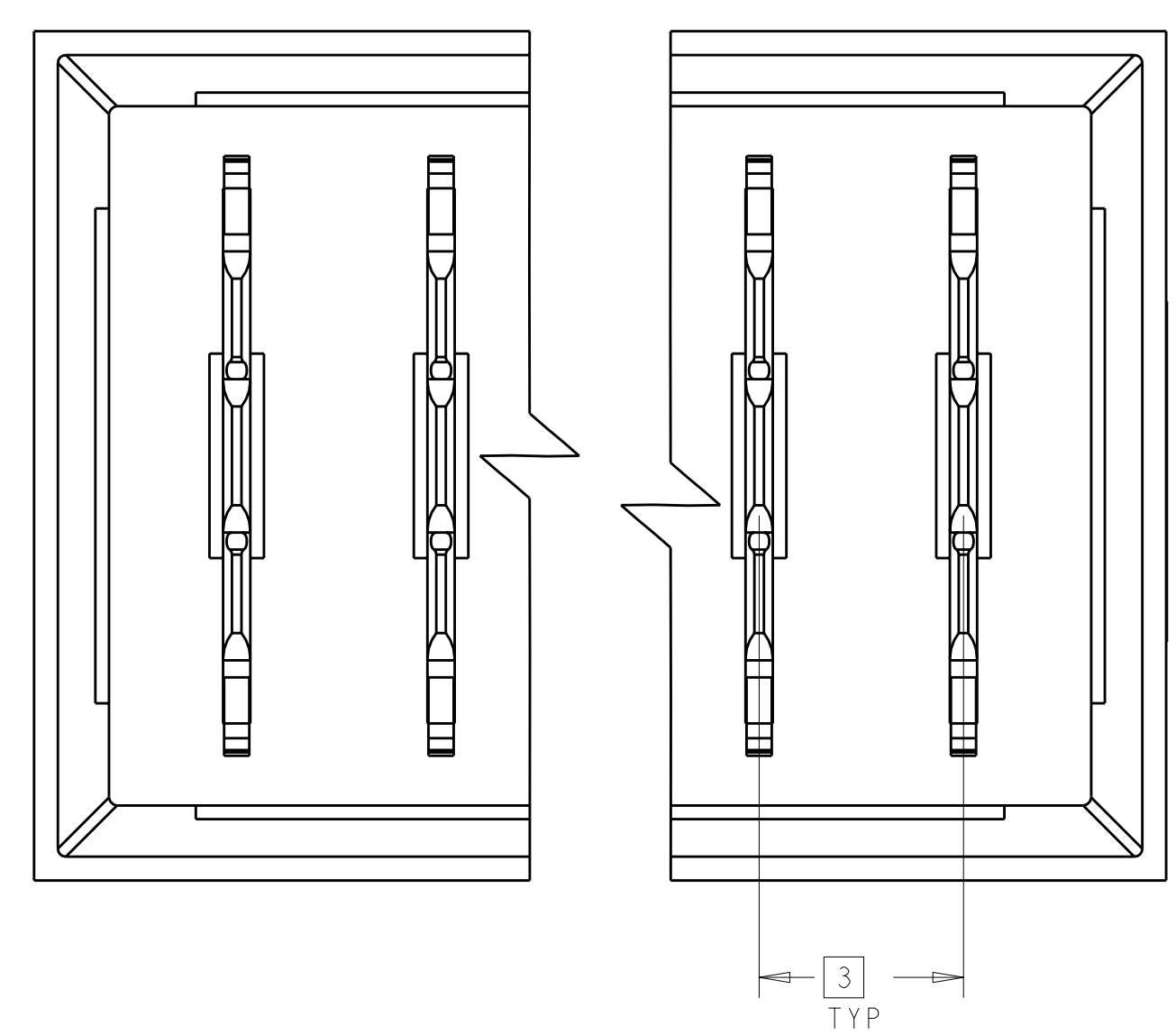
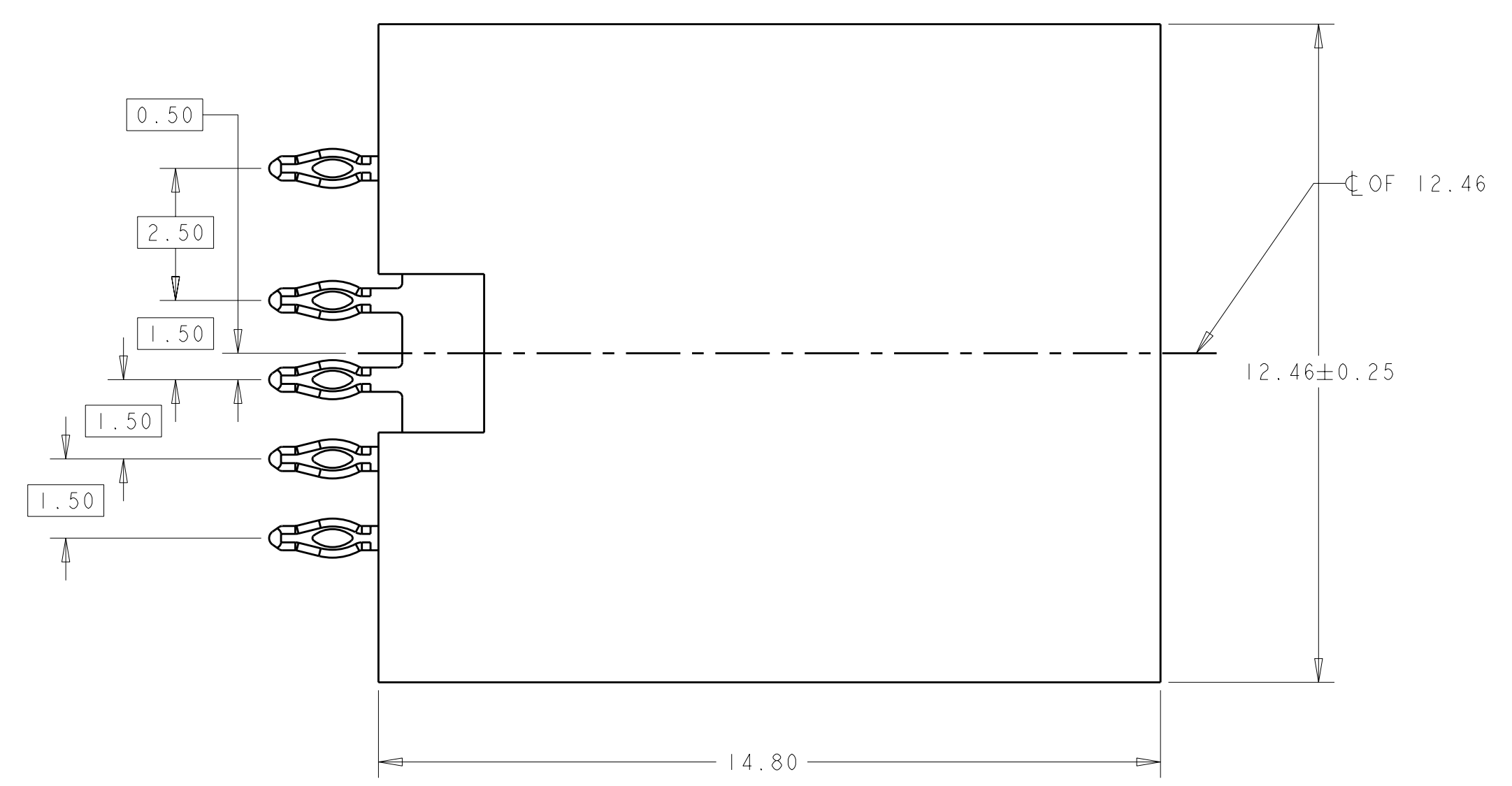


| LOC | DIST | REV | DATE | BY | CHKD | APPV |
|-----|------|-----|------------|----|------|------|
| AD | 00 | A | 24JUNE2010 | DH | DY | |

- 1 MATERIAL
 HOUSING: POLYESTER, COLOR, GRAY, UL 94V-0.
 CONTACT: PHOSPHOR BRONZE, HIGH CURRENT COPPER ALLOY.
- 2 FINISH
 CONTACT MATING AREA: 1.27µm MIN GOLD OVER 1.27µm MIN NICKEL OR
 GOLD FLASH OVER PALLADIUM-NICKEL PLATE, 0.76µm MIN TOTAL OVER
 1.27µm MIN NICKEL
 COMPLIANT PIN AREA: 0.5µm MIN TIN OVER 1.27µm MIN NICKEL.
- 3 TOLERANCE TO BE ±0.25 BEFORE CONNECTOR
 IS APPLIED TO PC BOARD.
- 4 REFERENCE APPLICATION SPEC 114-1103 FOR
 RECOMMENDED PLATED THRU HOLE DIAMETER AND
 PLATING THICKNESS.
5. CURRENT RATING 16A/CONTACT PER PRODUCT SPEC 108-1651.



| POSITION | B REF | A | PART NUMBER |
|----------|-------|---|-------------|
| 9 | 29.95 | 8 | 1645498-7 |
| 8 | 26.95 | 7 | 1645498-6 |
| 7 | 23.95 | 6 | 1645498-5 |
| 6 | 20.95 | 5 | 1645498-4 |
| 5 | 17.95 | 4 | 1645498-3 |
| 4 | 14.95 | 3 | 1645498-2 |
| 3 | 11.95 | 2 | 1645498-1 |

| | | | | | | | |
|-----------------------|--|----------------------------------------------------------------------------------------------------------------|--|--------------------------------------------------------------------------------------------|--|-----------------------------------------------|--|
| DIMENSIONS: mm | | TOLERANCES UNLESS OTHERWISE SPECIFIED: 9 PLC ± 1 PLC ±0.13 5 PLC ± 4 PLC ± ANGLES ± FINISH ± | | DWN: CABBO 18NOV2008 CHK: G. GRIFFITH 18NOV2008 APPV: G. GRIFFITH 18NOV2008 NAME: | | Tyco Electronics Harrisburg, PA 17105-3608 | |
| MATERIAL: | | FINISH: | | PRODUCT SPEC: | | APPLICATION SPEC: | |
| WEIGHT: | | CUSTOMER DRAWING: | | SIZE: CAGE CODE: DRAWING NO: A100779C=1645498 | | RESTRICTED TO: | |
| SCALE: 10:1 | | SHEET 1 OF 1 | | REV A | | PRELIMINARY | |