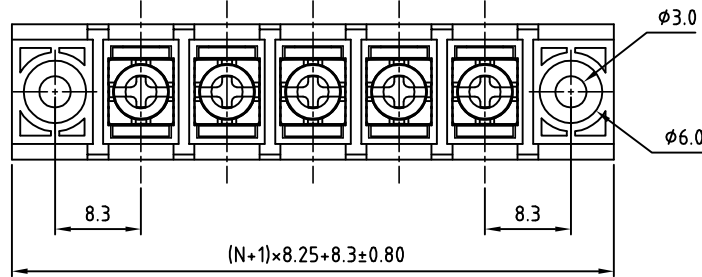


SIGN	DATE	DESCRIPTION	APPROVER

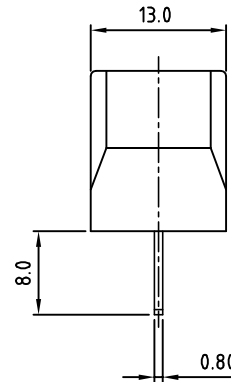
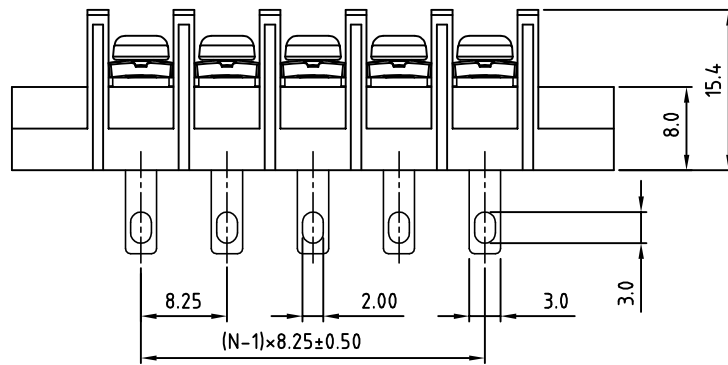
THIS IS CAD DRAWING, DO NOT REVISE MANUALLY!!!



SPECIFICATIONS

VOLTAGE & CURRENT: 300 V, 20 A
 WITHSTANDING VOLTAGE: AC 2000 V/Min
 INSULATION RESISTANCE: 1000 MΩ OR MORE AT DC 500 V
 TEMPERATURE RANGE: -40 °C ~ +105 °C
 SCREW TORQUE VALUE: 7 Lb-in.
 WIRE RANGE: 22 - 12 AWG
 1) MOLDED PARTS: Thermoplastic (UL 94 V-0)
 2) TERMINAL: BRASS, 0.8t, Tin PLATED
 3) TERMINAL SCREWS: STEEL, Ni PLATED, M3
 APPROVAL: us

RoHS Compliant



PART NUMBER:

OSTYK403XX330

NO. OF POLES

- 02: 2 POLES
- 03: 3 POLES
- 04: 4 POLES
- ...
- 30: 30 POLES

N=Number of poles

POLE	2	3	4	5	6	7	8	9	10	11	12	13	14	15	16
A	33.05	41.30	49.55	57.80	66.05	74.30	82.55	90.80	99.05	107.30	115.55	123.80	132.05	140.30	148.55
B	8.25	16.50	24.75	33.00	41.25	49.50	57.75	66.00	74.25	82.50	90.75	99.00	107.25	115.50	123.75
TOL	0.30			0.40			0.50								
POLE	17	18	19	20	21	22	23	24	25	26	27	28	29	30	
A	156.80	165.05	173.30	181.55	189.80	198.05	206.30	214.55	222.80	231.05	239.30	247.55	255.80	264.05	
B	132.00	140.25	148.50	156.75	165.00	173.25	181.50	189.75	198.00	206.25	214.50	222.75	231.00	239.25	
TOL	0.60						0.80								

THESE DRAWINGS AND SPECIFICATIONS ARE THE PROPERTY OF ON-SHORE TECHNOLOGY, INC. AND SHALL NOT BE REPRODUCED, COPIED OR USED IN ANY MANNER WITHOUT THE PRIOR WRITTEN CONSENT OF ON-SHORE TECHNOLOGY, INC.



TITLE		OSTYK-403 With Flange&W/O Cover Series			
PART NO.		OSTYK403XX330		DWG NO.	OSTYK403XX330.DWG
APPROVED	CHECKED	DESIGNED	DRAWN	CUST NO.	Tolerance
Shi Jun 2007.07.18	Seamus 2007.07.18	LUCY 2007.7.18	LUCY 2007.7.18		X. ±0.50 X.X ±0.30 X.XX ±0.10 X° ±1°
SHEET: 01/01				REV.: C	UNIT: mm SCALE: NONE