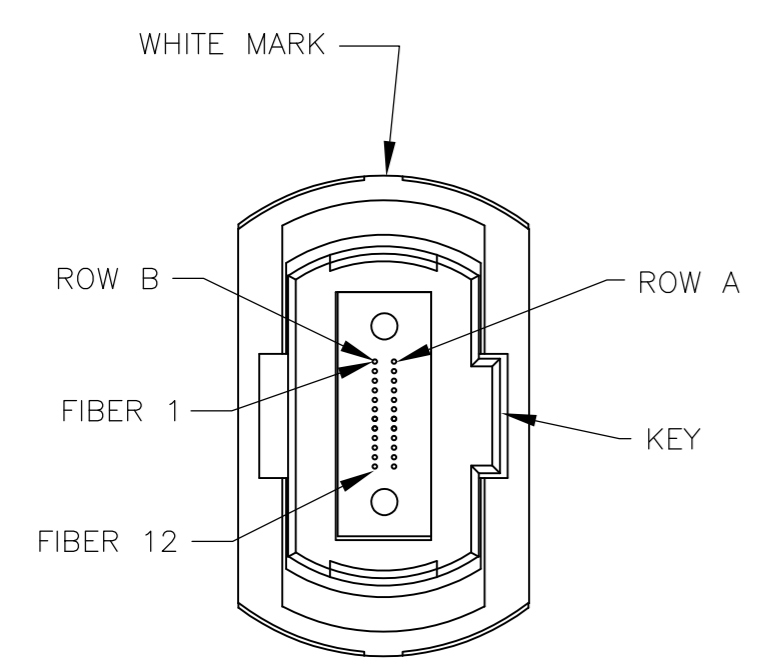
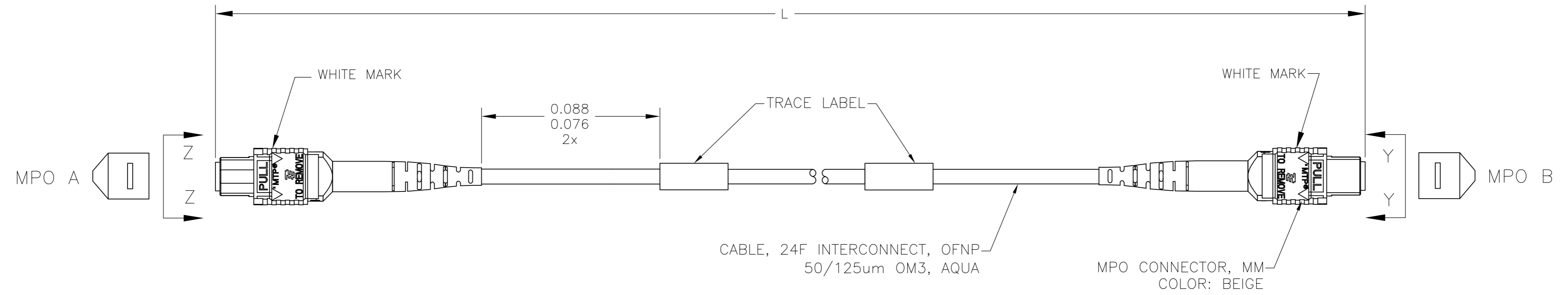


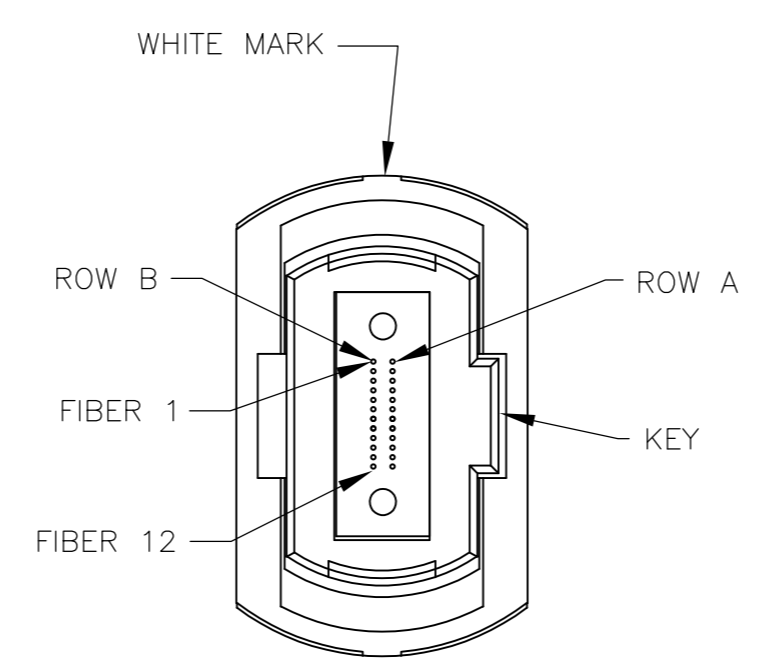
LOC	DIST	REVISIONS			
P	LTR	DESCRIPTION	DATE	DWN	APVD
HG	-				
	A2	ADD DASH 9-8	09JAN2014	HZ	RZ

- 1. MAXIMUM CONNECTOR INSERTION LOSS AT 850nm.
- 2. PRODUCT AND PROCESSING MUST MEET REQUIREMENTS OF TEC-138-702.
- 3. CONNECTOR MATERIAL FLAMMABILITY: UL94 V-0 OR BETTER.
- 4. CABLE FLAMMABILITY: UL1651 OFNP OR BETTER.



MPO A ROW	FIBER	FIBER COLOR	MPO B ROW	FIBER
A	1	BLUE	B	1
A	2	ORANGE	B	2
A	3	GREEN	B	3
A	4	BROWN	B	4
A	5	SLATE	B	5
A	6	WHITE	B	6
A	7	RED	B	7
A	8	BLACK	B	8
A	9	YELLOW	B	9
A	10	VIOLET	B	10
A	11	ROSE	B	11
A	12	AQUA	B	12
B	1	BLUE	A	1
B	2	ORANGE	A	2
B	3	GREEN	A	3
B	4	BROWN	A	4
B	5	SLATE	A	5
B	6	WHITE	A	6
B	7	RED	A	7
B	8	BLACK	A	8
B	9	YELLOW	A	9
B	10	VIOLET	A	10
B	11	ROSE	A	11
B	12	AQUA	A	12

CONNECTOR FIBER PATH



VIEW Y-Y NOT TO SCALE

THIS DRAWING IS A CONTROLLED DOCUMENT.		DWN	24AUG2011	TE Connectivity	
DIMENSIONS: METERS		CHK	24AUG2011	NAME	
		SHI BI YUN		CABLE ASSEMBLY, FIBER OPTIC, CXP, 50/125um OM3	
TOLERANCES UNLESS OTHERWISE SPECIFIED:		ZHANG JINQIANG		24 FIBER, INTERCONNECT CABLE	
0 PLC	± -	APVD		MPO, NO PINS, BOTH ENDS	
1 PLC	± -	24AUG2011		SIZE	CAGE CODE
2 PLC	± -	RICHARD ZHAO		DRAWING NO	RESTRICTED TO
3 PLC	± -	PRODUCT SPEC		A2	00779
4 PLC	± -	APPLICATION SPEC		SCALE NTS SHEET 1 of 2 REV A2	
ANGLES	± -	WEIGHT		CUSTOMER DRAWING	
FINISH	-	MATERIAL			

THIS DRAWING IS UNPUBLISHED. RELEASED FOR PUBLICATION
 © COPYRIGHT - By - ALL RIGHTS RESERVED.

LOC	DIST	REVISIONS					
CE	00	P	LTR	DESCRIPTION	DATE	DWN	APVD
		-	-	SEE SHEET 1	-	-	-

PART NUMBER	L		MPO MAX IL (dB) Δ 1
	MAX	MIN	
2148238-1	1.050	0.950	0.70
2148238-2	2.050	1.950	0.71
2148238-3	3.050	2.950	0.71
2148238-4	4.080	3.920	0.71
2148238-5	5.080	4.920	0.72
2148238-6	6.080	5.920	0.72
2148238-7	7.080	6.920	0.72
2148238-8	8.080	7.920	0.73
2148238-9	9.150	8.850	0.73
1-2148238-0	10.150	9.850	0.74
1-2148238-1	11.150	10.850	0.74
1-2148238-2	12.150	11.850	0.74
1-2148238-3	13.150	12.850	0.75
1-2148238-4	14.150	13.850	0.75
1-2148238-5	15.150	14.850	0.75
1-2148238-6	16.160	15.840	0.76
1-2148238-7	17.170	16.830	0.76
1-2148238-8	18.180	17.820	0.76
1-2148238-9	19.190	18.810	0.77
2-2148238-0	20.200	19.800	0.77
2-2148238-1	21.210	20.790	0.77
2-2148238-2	22.220	21.780	0.78
2-2148238-3	23.230	22.770	0.78
2-2148238-4	24.240	23.760	0.78
2-2148238-5	25.250	24.750	0.79
2-2148238-6	26.260	25.740	0.79
2-2148238-7	27.270	26.730	0.79
2-2148238-8	28.280	27.720	0.80
2-2148238-9	29.290	28.710	0.80
3-2148238-0	30.300	29.700	0.81
3-2148238-1	31.310	30.690	0.81
3-2148238-2	32.320	31.680	0.81
3-2148238-3	33.330	32.670	0.82
3-2148238-4	34.340	33.660	0.82
3-2148238-5	35.350	34.650	0.82
3-2148238-6	36.360	35.640	0.83
3-2148238-7	37.370	36.630	0.83
3-2148238-8	38.380	37.620	0.83
3-2148238-9	39.390	38.610	0.84
4-2148238-0	40.400	39.600	0.84
4-2148238-1	41.410	40.590	0.84
4-2148238-2	42.420	41.580	0.85
4-2148238-3	43.430	42.570	0.85
4-2148238-4	44.440	43.560	0.85
4-2148238-5	45.450	44.550	0.86
4-2148238-6	46.460	45.540	0.86
4-2148238-7	47.470	46.530	0.86
4-2148238-8	48.480	47.520	0.87
4-2148238-9	49.490	48.510	0.87
5-2148238-0	50.500	49.500	0.88
5-2148238-5	55.550	54.450	0.89
6-2148238-0	60.600	59.400	0.91
6-2148238-5	65.650	64.350	0.93
7-2148238-0	70.700	69.300	0.95
7-2148238-5	75.750	74.250	0.96
8-2148238-0	80.800	79.200	0.98
8-2148238-5	86.000	84.000	1.00
9-2148238-0	91.350	88.650	1.02
9-2148238-5	96.425	95.575	1.03
9-2148238-9	101.500	98.500	1.05
9-2148238-8	151.500	148.500	1.23

THIS DRAWING IS A CONTROLLED DOCUMENT.		DWN	24AUG2011	TE TE Connectivity
		CHK	24AUG2011	
		APVD	24AUG2011	
		NAME	RICHARD ZHAO	
DIMENSIONS:	TOLERANCES UNLESS OTHERWISE SPECIFIED:	PRODUCT SPEC	CABLE ASSEMBLY, FIBER OPTIC, CXP, 50/125um OM3	
METERS	0 PLC ± - 1 PLC ± - 2 PLC ± - 3 PLC ± - 4 PLC ± - ANGLES ± -	APPLICATION SPEC	24 FIBER, INTERCONNECT CABLE	
			MPO, NO PINS, BOTH ENDS	
MATERIAL	FINISH	WEIGHT	SIZE	RESTRICTED TO
-	-	-	A2 00779	-
CUSTOMER DRAWING			SCALE	REV
			NTS	A2
			SHEET	
			2 OF 2	