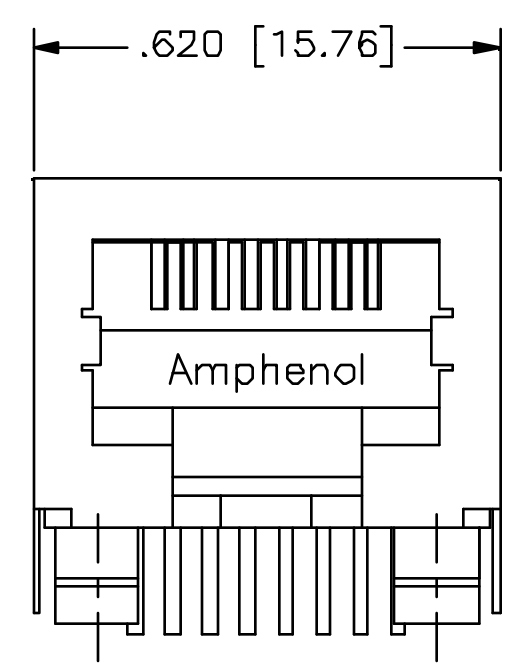
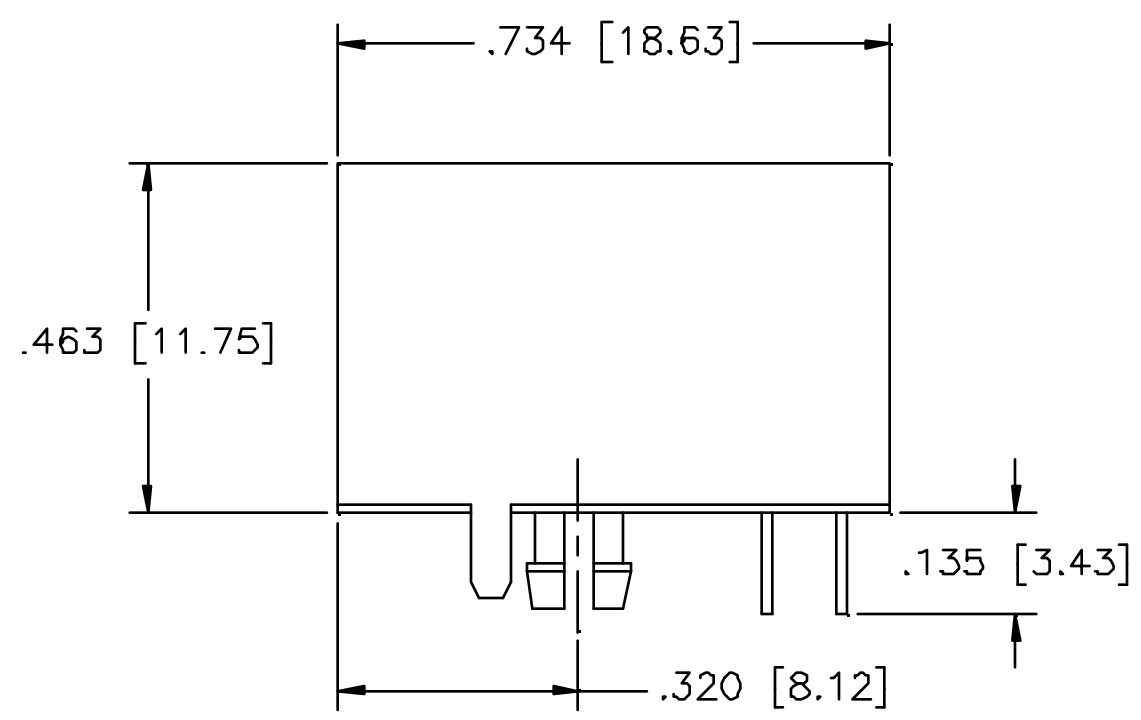


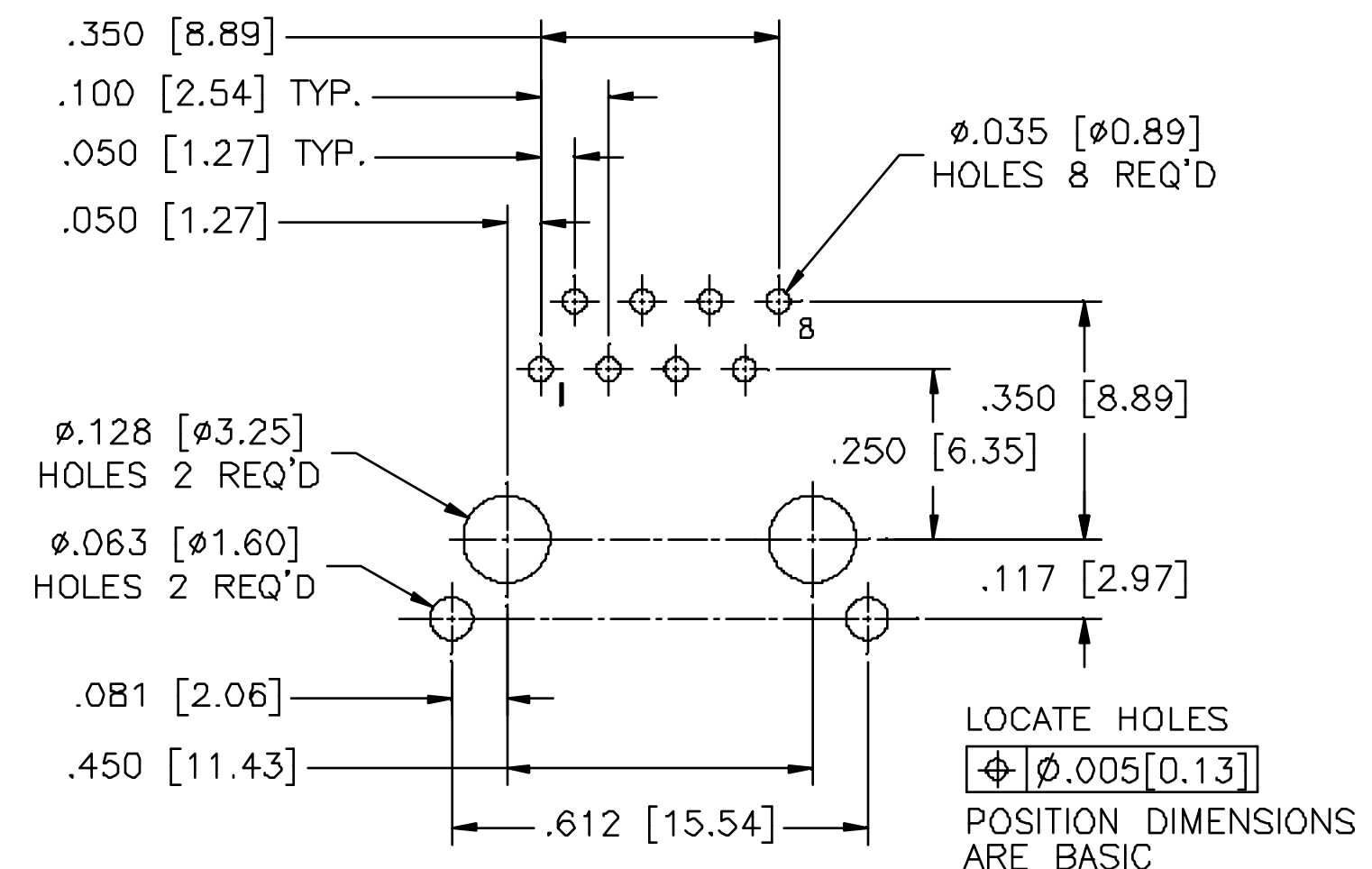
REVISIONS				
SYM	ZONE	ECN, ERN NO.	DATE	APPRD.
A		PROPOSAL	25/01/06	L.C.
B		CHANGE THE NOTE	FEB.03/2016	L.C.



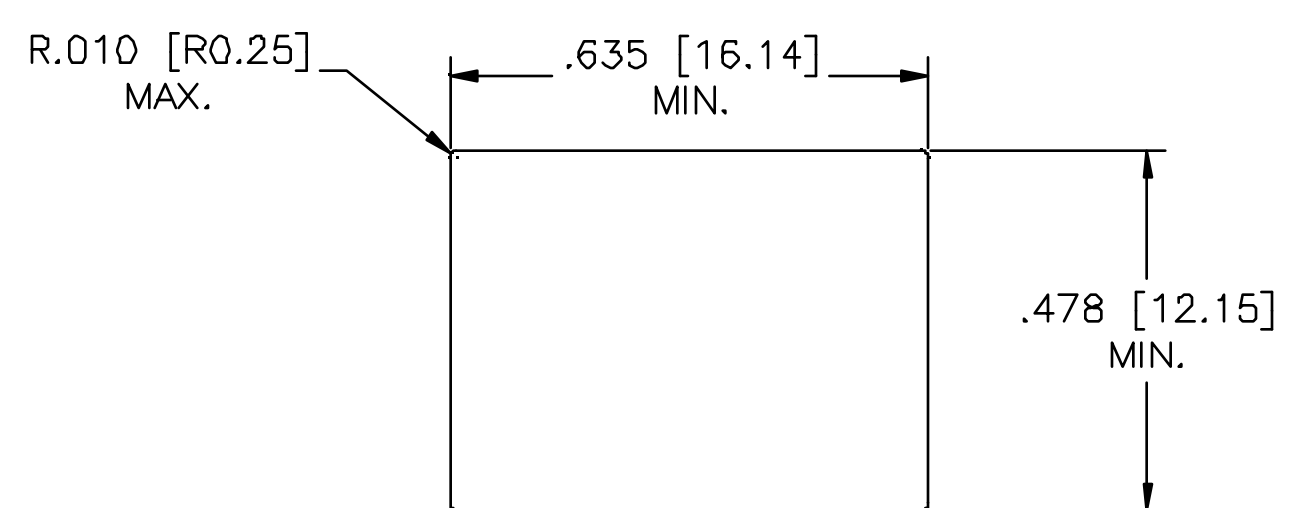
FRONT VIEW



SIDE VIEW



RECOMMENDED P.C.B. LAYOUT
(COMPONENT SIDE OF BOARD)



RECOMMENDED PANEL CUTOUT

MATERIALS:

PLASTIC HOUSING: ENGINEERING THERMOPLASTIC
FLAMMABILITY RATING UL94V-0.

CONTACTS:

PHOSPHOR BRONZE
PLATING: REFER PART NUMBER FOR GOLD THICKNESS ON MATING SURFACES.
50 μ" [1.27 MICRONS] MIN. NICKEL UNDERPLATE.
GOLD FLASH ON CONTACT SOLDERED TAILS.

SHIELD:

COPPER ALLOY
PLATING: NICKEL

PART NUMBER: RJE05-188-1X10

- GOLD PLATING**
- 1 = 6 μINCH
 - 2 = 15 μINCH
 - 3 = 30 μINCH
 - 4 = 50 μINCH

DRAWN <i>Chigow</i>	DATE 25/01/06	Amphenol Canada Corp.		
DESIGNED				
CHECKED <i>LCHAN</i>	DATE 25/01/06	TITLE RJE05 SERIES MODULAR JACK, 8 POSITIONS, 8 CONTACTS, SHIELDED, ULTRA LOW PROFILE-RoHS COMPLIANT		
I. E. APPRD.				
Q. A. APPRD.		DWG	DRAWING NO.	REV. <i>B</i>
DWG. APPRD.		P-RJE05-188-1X10		
ENG. REL. NO.		SCALE	WT. -----	SURF. -----
REF.		SHEET 1 OF 1		
DIMENSIONS ARE IN <i>mm</i>	CODE ID. NO. 03554			

THIS DOCUMENT CONTAINS PROPRIETARY INFORMATION AND SUCH INFORMATION MAY NOT BE DISCLOSED TO OTHERS FOR ANY PURPOSE OR USED FOR MANUFACTURING PURPOSES WITHOUT WRITTEN PERMISSION FROM AMPHENOL CANADA CORP.