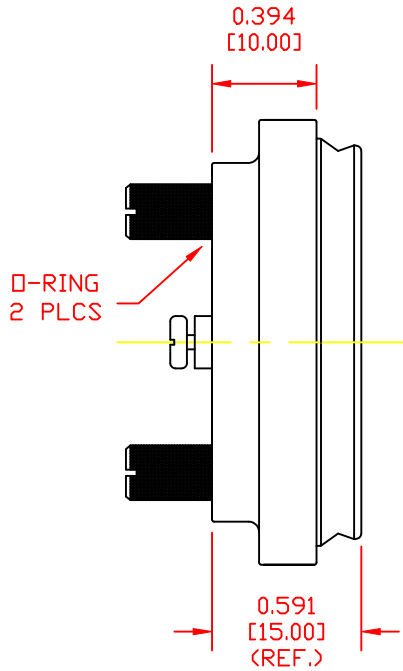


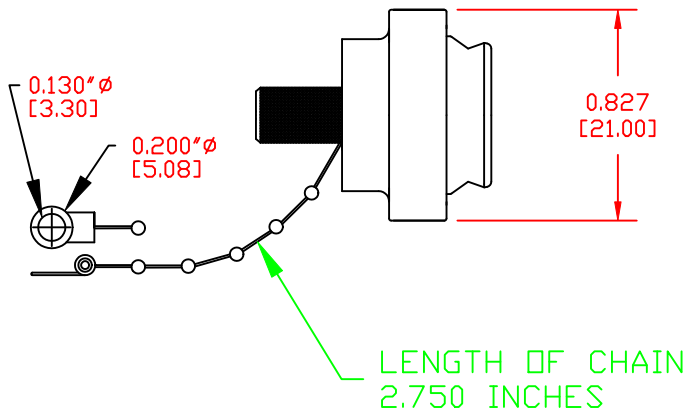
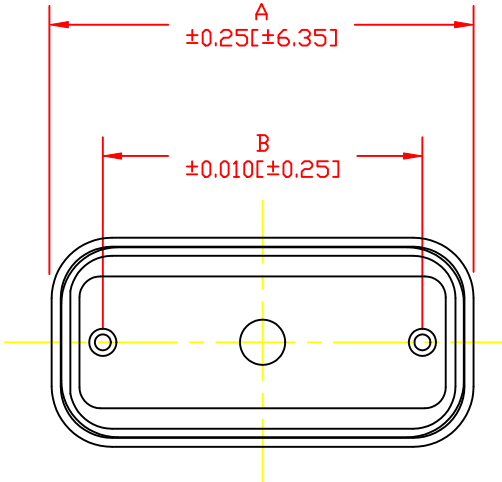
DESCRIPTION: IP67 - CONNECTOR COVER

MATERIAL & FINISH:

BACKSHELL: ABS - UL HB RATED, BLACK COLOR
 BUSHING & BAFFLE: SILICONE
 THUMBSCREWS: BRASS, NICKEL PLATED
 TEMPERATURE: -50°C TO 125°C



POS.	A	B
9	1.653	0.984
	42.0	25.0
15	1.980	1.311
	50.3	33.3
25	2.521	1.852
	64.04	47.05



967-YYY-CAP

SERIES _____

POSITIONS _____

009 (ALSO FITS 15 POS HIGH DENSITY)
 015 (ALSO FITS 26 POS HIGH DENSITY)
 025 (ALSO FITS 44 POS HIGH DENSITY)

DO NOT SCALE FROM DRAWING

RoHS COMPLIANT

	THESE DRAWINGS AND SPECIFICATIONS ARE THE PROPERTY OF NorComp AND SHALL NOT BE REPRODUCED, COPIED OR USED AS THE BASIS FOR THE MANUFACTURE OF SALE OF APPARATUS WITHOUT WRITTEN PERMISSION.		DRAWN: P. JENKINS	DATE: 7-21-11
	<h1>NorComp</h1>			CHECKED:
SCALE: 2 : 1				SHEET 1
			DWG NO. 967-YYY-CAP	