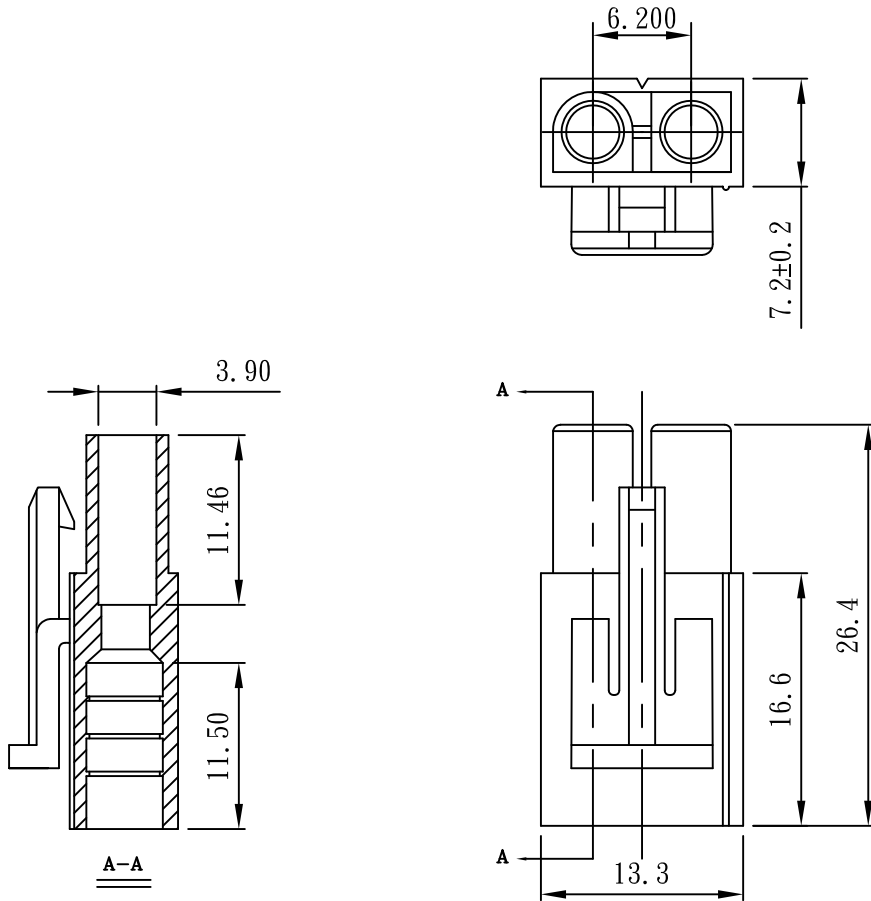


### Specifications:

- Poles: 2 Poles
- Pitch Between Poles: 6.2mm
- Current Rating: 5A
- Voltage Rating: 250V AC,DC
- Temperature Range: -25°C ~ +85°C
- Contact Resistance: Initial value/10mΩ max  
After environmental testing/20mΩ
- Withstand Voltage: 1500V AC/minute
- Insulation Resistance: 1000 MΩ/min
- Material: Nylon UL94V-2



**RoHS  
Compliant**



ON-SHORE TECHNOLOGY, INC.

THESE DRAWINGS AND SPECIFICATIONS ARE THE PROPERTY OF ON-SHORE TECHNOLOGY, INC. AND SHALL NOT BE REPRODUCED, COPIED OR USED IN ANY MANNER WITHOUT THE PRIOR WRITTEN CONSENT OF ON-SHORE TECHNOLOGY, INC.

APPD. Hedy		TOLERANCE .0 ± 0.25 .00 ± 0.13 ANG. ±	PART NAME 2.0mm MALE HOUSING 1*2P W/LOCKING RIBS WHITE COLOR LOW-LEAD
DWG. Yumi	SCALE none	SIZE.	
DATE 2009/07/15	UNIT M M	PAGE 1 OF 1	PART NO. 700H102W