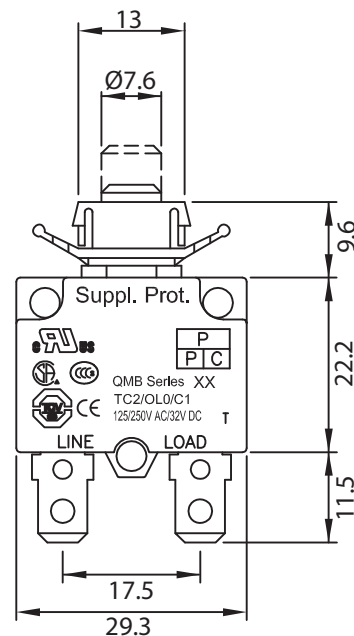
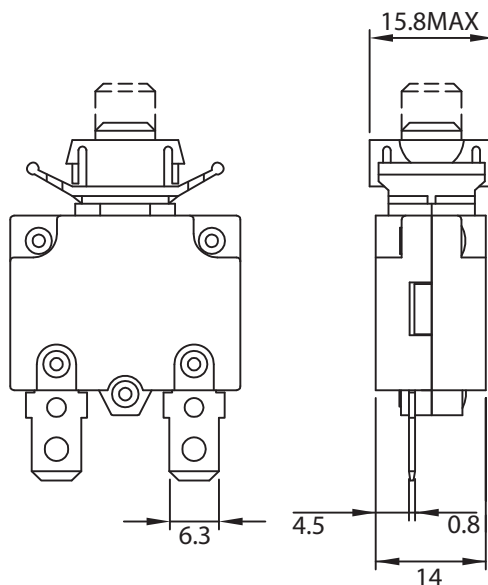
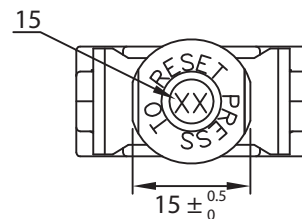
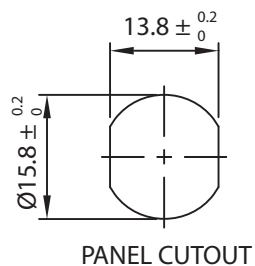


THESE DRAWINGS ARE THE PROPERTY OF QUALTEK ELECTRONICS AND NOT TO BE REPRODUCED FOR OR COMMUNICATED TO A THIRD PARTY WITHOUT THE EXPRESS WRITTEN PERMISSION OF AN OFFICER OF QUALTEK ELECTRONICS.

REVISION			
REV.	DESCRIPTION	DATE	APPROVED



CONTROLLED

NOTES:

RATING: 15A 125/250V AC/32V DC
 PANEL THICKNESS: 0.8mm~2.5mm
 BUTTON COLOR: BLACK
 BUTTON PRINT COLOR: WHITE
 APPROVALS: UL, cUL, TUV, CCC, CE, CSA
 RoHS COMPLIANT

Dim range (mm)	Tolerance +/- (mm)	Qualtek Electronics Corp. PPC DIVISION											
		Part Number: QMB-153-00ENN-3BA RoHS Compliant		Description: CIRCUIT BREAKER									
0-1	0.15	<table border="1" style="width: 100%;"> <tr> <td colspan="2">UNIT: mm</td> <td> </td> </tr> <tr> <td>Drawn / Date</td> <td>Checked / Date</td> <td>Approved / Date</td> </tr> <tr> <td>R.Nuti 06-04-14</td> <td>06-04-15</td> <td>LY / 06-04-15</td> </tr> </table>			UNIT: mm			Drawn / Date	Checked / Date	Approved / Date	R.Nuti 06-04-14	06-04-15	LY / 06-04-15
UNIT: mm													
Drawn / Date	Checked / Date				Approved / Date								
R.Nuti 06-04-14	06-04-15				LY / 06-04-15								
1-6	0.20												
6-18	0.30												
18-50	0.50												
50-120	0.70												
120-250	0.90												
250-500	1.20												