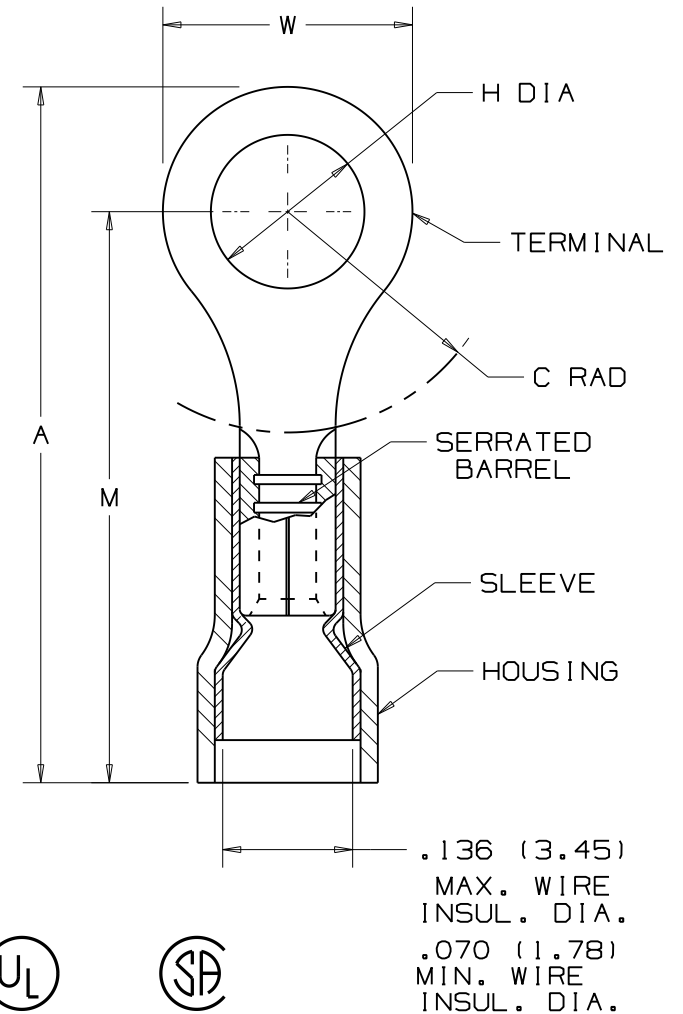


PANDUIT PART NUMBER	MILITARY PART NO. AND CLASS	STUD SIZE	DIMENSIONS in.				
			A <sup>±.03</sup> (.76)	W <sup>±.01</sup> (.25)	C MIN	M <sup>±.03</sup> (.76)	H <sup>±.01</sup> (.25)
PNF 18-4R	-----	#4	.77 (19.63)	.25 (6.35)	.21 (5.21)	.65 (16.48)	.12 (3.00)
**PNF 18-4RN	MS25036-148 CLASS 1 & 2	#4	.74 (18.85)	.22 (5.46)	.19 (4.72)	.63 (15.98)	.12 (3.00)
PNF 18-6R	MS25036-102 CLASS 1 & 2	#6	.77 (19.63)	.25 (6.35)	.21 (5.21)	.65 (16.48)	.15 (3.73)
PNF 18-6RN	MS25036-101 CLASS 1 & 2	#6	.74 (18.85)	.23 (5.72)	.19 (4.72)	.63 (15.98)	.15 (3.73)
PNF 18-8R	MS25036-149 CLASS 1 & 2	#8	.86 (21.72)	.31 (7.92)	.25 (6.43)	.70 (17.75)	.17 (4.39)
PNF 18-10R	MS25036-103 CLASS 1 & 2	#10	.86 (21.72)	.31 (7.92)	.25 (6.43)	.70 (17.75)	.20 (5.03)
PNF 18-14R	MS25036-150 CLASS 1 & 2	1/4"	1.06 (26.85)	.46 (11.56)	.38 (9.65)	.83 (21.06)	.27 (6.79)
PNF 18-56R	MS25036-104 CLASS 1 & 2	5/16"	1.06 (26.92)	.46 (11.73)	.38 (9.65)	.83 (21.06)	.33 (8.39)
PNF 18-38R	MS25036-105 CLASS 1 & 2	3/8"	1.14 (29.06)	.53 (13.46)	.43 (10.92)	.88 (22.33)	.39 (9.97)

NOTES:

- 1) UL LISTED AND CSA CERTIFIED FOR:
  - A. 600V. MAX. BLDG. WIRE (1000V. MAX. IN SIGNS, FIXTURES & LUMINARIES)
  - B. 221°F. (105°C) MAX. TEMP. RATING
  - C. SOLID AND STRANDED COPPER WIRE - #22-#16 WIRE RANGE
- 2) MATERIAL:
  - A. STAMPING- .032" (.81) THK. COPPER, TIN PLATED
  - B. HOUSING- NYLON, RED
  - C. SLEEVE- BRASS, TIN PLATED
- 3) WIRE STRIP LENGTH- 7/32" +1/32, -0 (5.6, +.8, -0)
- 4) SEE [www.panduit.com](http://www.panduit.com) FOR PART NUMBER SUFFIX DESIGNATION FOR PACKAGE SIZE.
- 5) DIMENSIONS IN PARENTHESIS ARE IN MILLIMETERS
- 6) INSTALLATION TOOLS:
  - A. UL LISTED AND CSA CERTIFIED: CT-100A\*, CT-400 (UL, MIL CLASS 2), CT-1550, CT-1551, CT-2500 WITH CT-2550CH CRIMP HEAD

\* FOR USE WITH #22-#18 AWG SOLID AND STRANDED WIRE RANGE  
 \*\* NOT UL LISTED OR CSA CERTIFIED



LISTED 587H E52164  
 CERTIFIED LR31212

.136 (3.45)  
 MAX. WIRE  
 INSUL. DIA.  
 .070 (1.78)  
 MIN. WIRE  
 INSUL. DIA.

N41275BA/10

					<b>PANDUIT</b> CORP. TINLEY PARK, ILLINOIS	
10	12/16/11	FS	Obsolete installation tools removed, UL information clarified, general dimensional updates.			#22-18 BARREL NYLON INSULATED, FUNNELED WIRE ENTRY RING TONGUE, .136 (3.45) DIA. MAX. WIRE INSULATION DIAMETER
09	5/11	SB	Added Note # 4			
REV	DATE	BY	DESCRIPTION	ECN #	CUST	DRAWN BY DAW CHK'D LM SCALE NONE DRAWING NO A41275