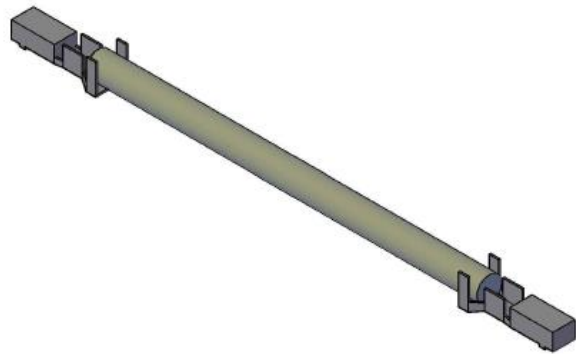
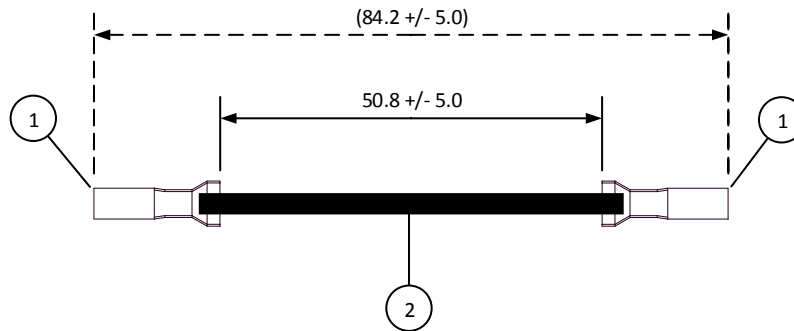


4		3		2		1	
ITEM	CONNECTOR PART NO.	DESCRIPTION	IPI CHECK	EOR CHECK	Applicable Tooling		
1	SVF-61T-P2.0	VL CONNECTOR - FEMALE CONTACT			APPLICATOR		
2	UL1015, 14 AWG	BLACK			Applicable Housings		

NO. OF CIRCUITS	HOUSING PART NO. INNER LOCKS	HOUSING PART NO. OUTER LOCKS
1	VLP-01V	VLP-01V-1
2	VLP-02V	VLP-02V-1
3	VLP-03V	VLP-03V-1
4	VLP-04V	VLP-04V-1
4	-	VLP-04VN-1
6	VLP-06V	VLP-06V-1
8	VLP-08V	VLP-08V-1
12	VLP-12V	VLP-12V-1



JST

SCALE	CUSTOMER NAME	CUSTOMER PART NO.
1:1		
DIMENSIONS	DESCRIPTION	
All dimensions are in MM with a tolerance of +/- 3.0 unless otherwise specified.	6.2 mm Pitch VLSeries Standard Leads - 2" Inside Length DOUBLE-END LEADS, F-F	
DRAWN BY	ASSEMBLY PART NO.	
STEVEN PILKINGTON	ASVFSVF14K51	
CHECKED BY	DRAWING NO. & REVISION	REVISED
JUSTIN BAKER	GAM-097	3/10/2016

REV.	DESCRIPTION	DATE	BY

4 | 3 | 2 | 1