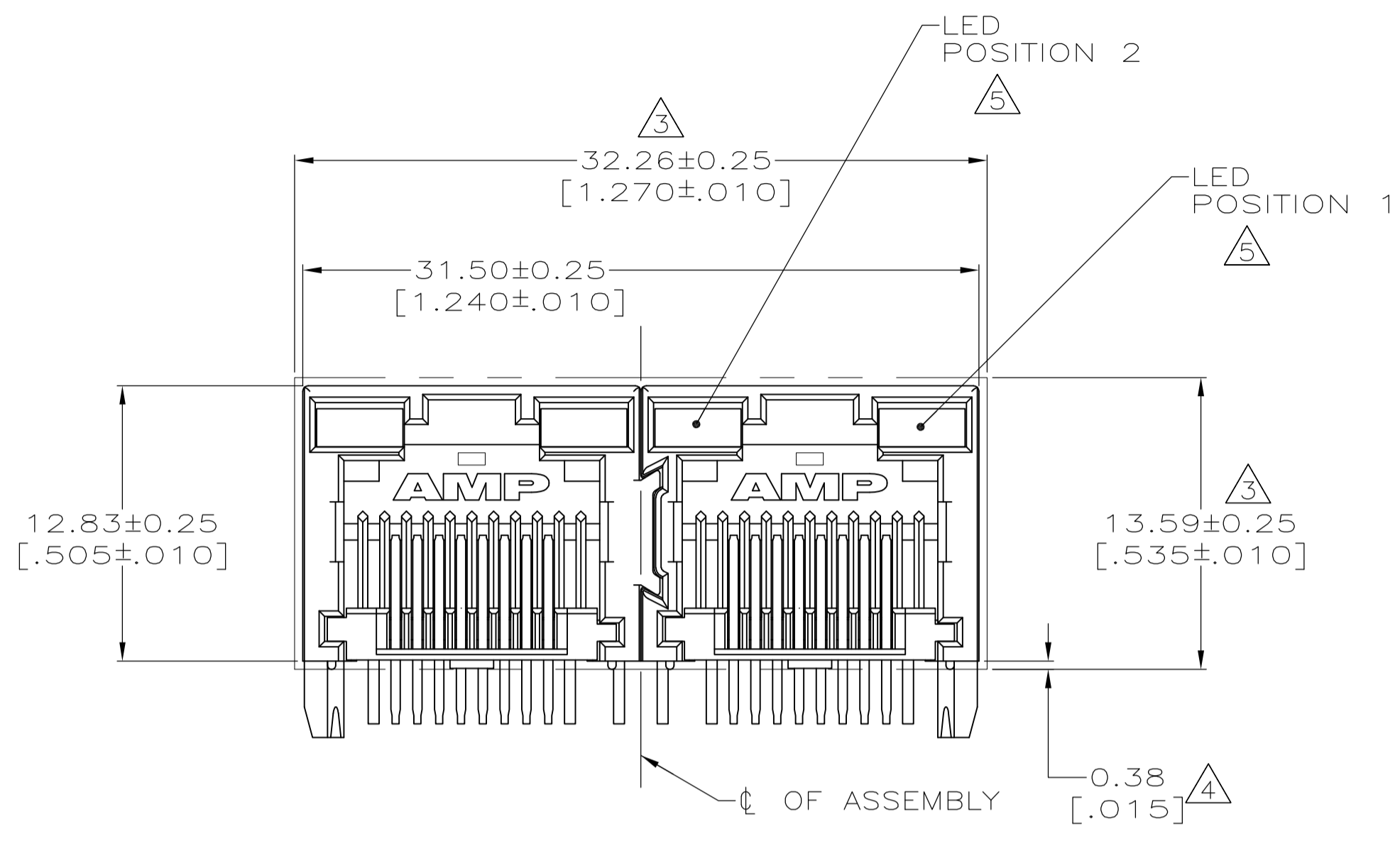
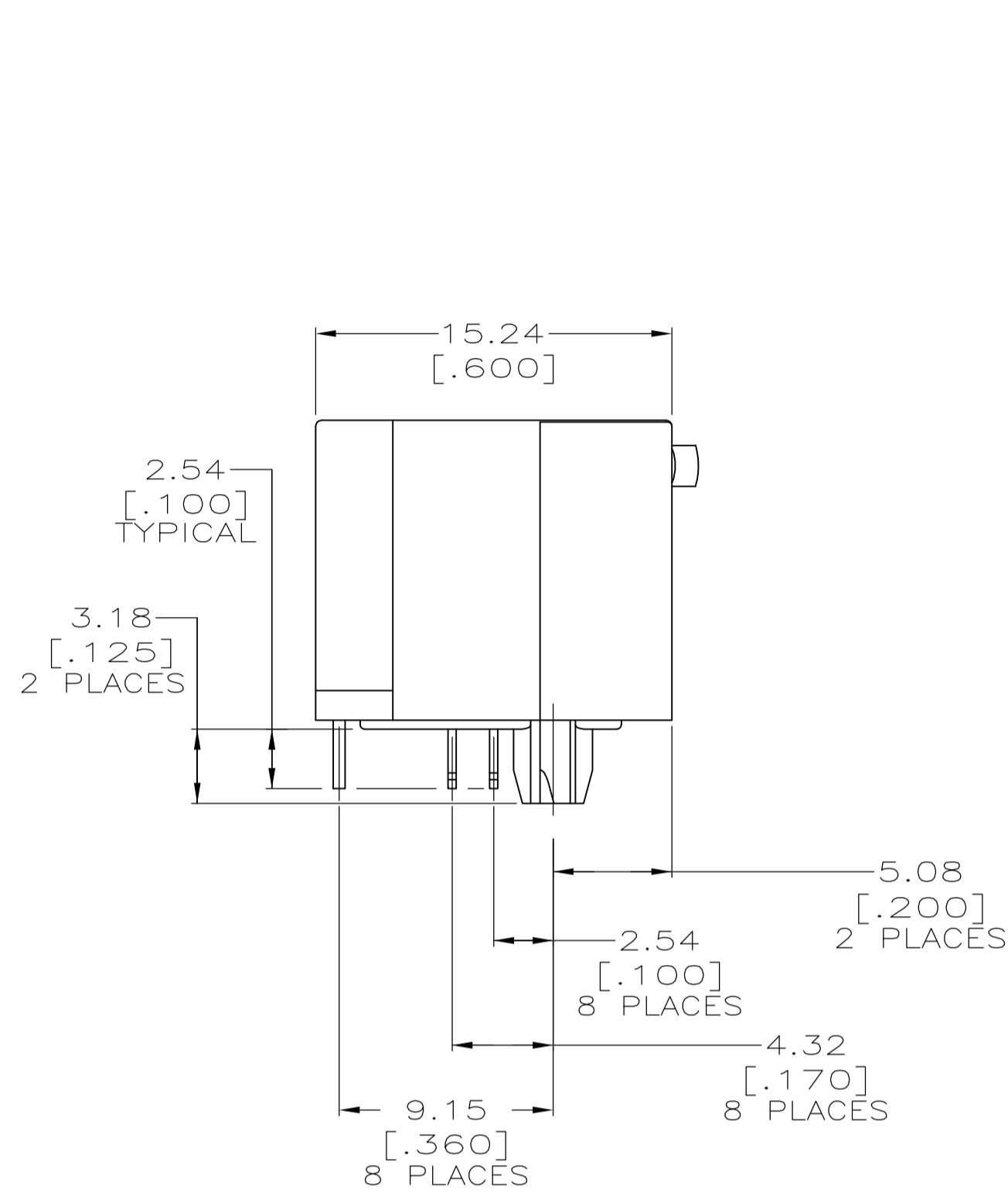
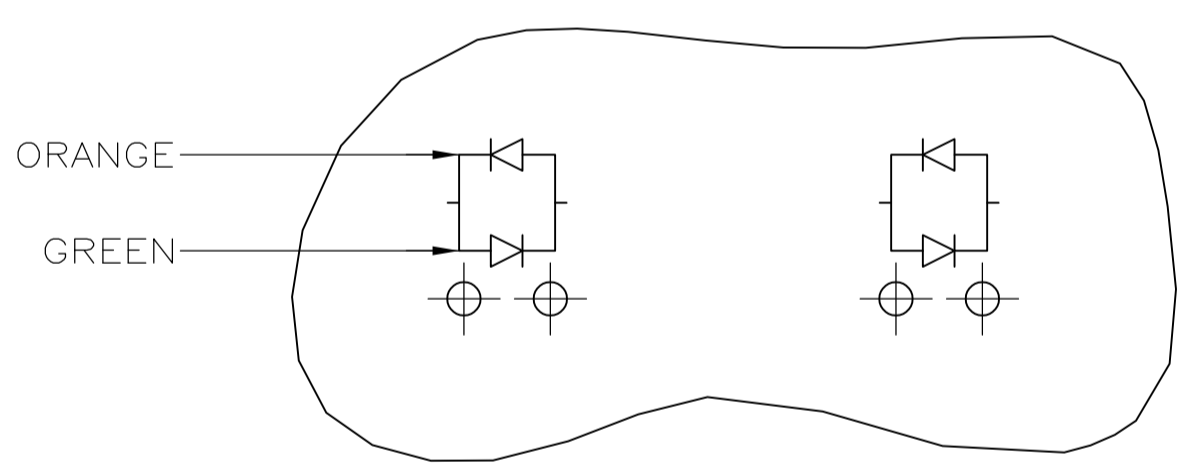


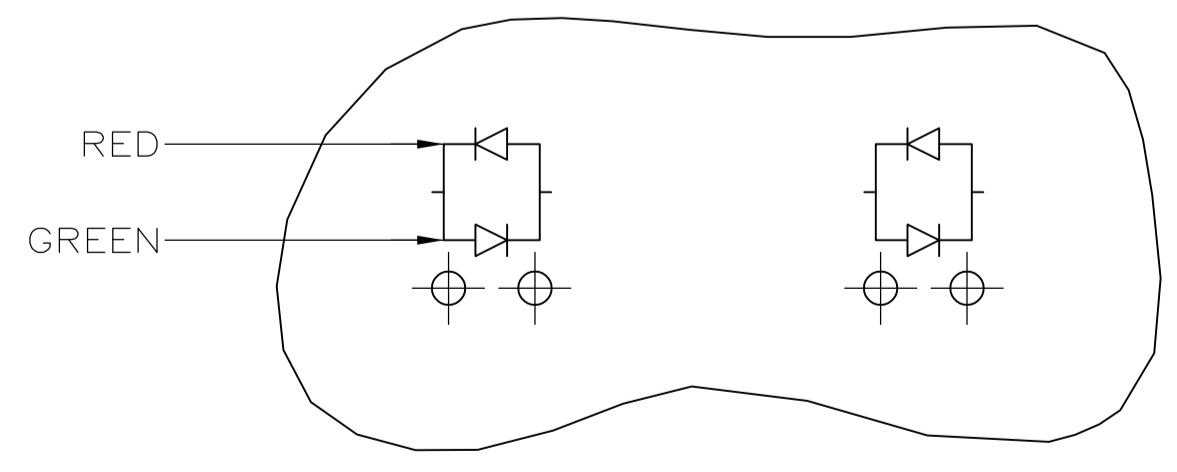
LOC		DIST		REVISIONS			
AA	22	REV	DESCRIPTION	DATE	BY	APPV	
A		REV PER EC	OS11-0201-04	13JUN2005	JA	SF	
A1		REVISED PER ECO	-09-024927	09NOV09	KK	AEG	



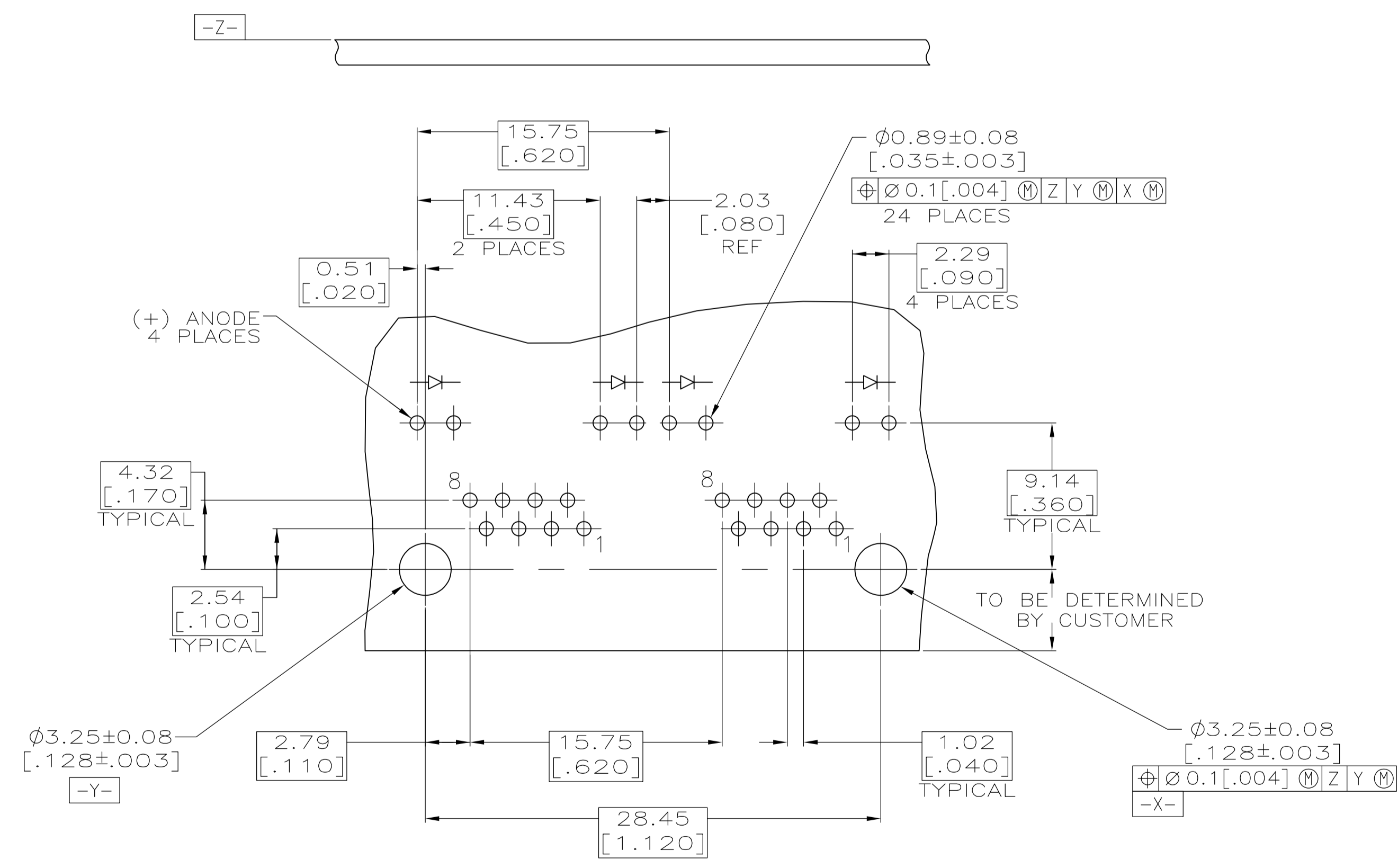
- MATERIAL:**
 HOUSING - HIGH TEMPERATURE THERMOPLASTIC, BLACK, UL94V-0.
 TERMINALS - .36[.014] THICK PHOS BRONZE PLATED WITH 3.81 μ m[.000150] MINIMUM THICK MATTE TIN IN SOLDER AREA. 1.27 μ m [0.00050] MINIMUM GOLD IN LOCALIZED PLATE AREA. ENTIRE TERMINAL PLATED WITH 1.27 μ m [0.00050] MINIMUM THICK NICKEL.
 LIGHT EMITTING DIODE (LED) - DIFFUSED EPOXY LENS, 0.51 x 0.51[.020 x .020] CARBON STEEL WIREFRAME LEADS PREPLATED WITH 8.89 μ m[.0003500] THICK Sn/Cu OVER 2.03 μ m[.000080] THICK Ag OVER 1.02 μ m[.000040] THICK Cu OVER 3.56 μ m[.000140] THICK Ni OVER 1.02 μ m[.000040] Cu UNDERPLATE
- JACK CAVITY CONFORMS TO FCC RULES AND REGULATIONS PART 68, SUBPART F.
 - SUGGESTED PANEL OPENING DIMENSIONS.
 - SUGGESTED CLEARANCE BETWEEN BOTTOM OF CONNECTOR AND BOTTOM PANEL OPENING.
 - SEE TABLE FOR COLOR OF LEDS AND NUMBER REQUIRED.
 - THIS MODULAR JACK WITH INTEGRATED LED IS NOT IR REFLOW SOLDERING PROCESS COMPATIBLE.
 - OBSOLETE PARTS: OBSOLETE CIS STREAMLINING PER D.RENAUD/D.SINISI



LED CURRENT DIAGRAM
 OBSOLETE 5406534-7 ONLY



LED CURRENT DIAGRAM
 OBSOLETE 2-5406534-4 ONLY



SUGGESTED PRINTED CIRCUIT BOARD LAYOUT
 (COMPONENT SIDE)

OBSOLETE	INDICATOR COLOR FOR EACH HOUSING		PART NUMBER
	POSITION 2	POSITION 1	
	GREEN/RED	GREEN/RED	2-5406534-4
	ORANGE/GREEN	ORANGE/GREEN	5406534-7
	YELLOW	YELLOW	5406534-6
	GREEN	GREEN	5406534-5
	YELLOW	-	5406534-3
	-	GREEN	5406534-2

THIS DRAWING IS A CONTROLLED DOCUMENT.

DIMENSIONS: mm (INCHES)	TOLERANCES UNLESS OTHERWISE SPECIFIED:	0 PLC ± -	1 PLC ± -	2 PLC ± 0.25[.01]	3 PLC ± 0.13[.005]	4 PLC ± -	ANGLES ± -
-------------------------	--	-----------	-----------	-------------------	--------------------	-----------	------------

APPROVED: J. WESTMAN	DATE: 13JUN2005	DESIGNED: J. ALCORTA	DATE: 13JUN2005
PRODUCT SPEC: 108-1163-4	APPLICATION SPEC: 114-2154	SIZE: A1	SCALE: 1:1

Tyco Electronics Tyco Electronics Corporation
 Harrisburg, Pa 17105-3608

INVERTED MODULAR JACK ASSEMBLY, 1X2, LED

REV: 13JUN2005
 NAME: S. FLICKINGER
 DRAWING NO: 5406534
 SHEET: 1 OF 1