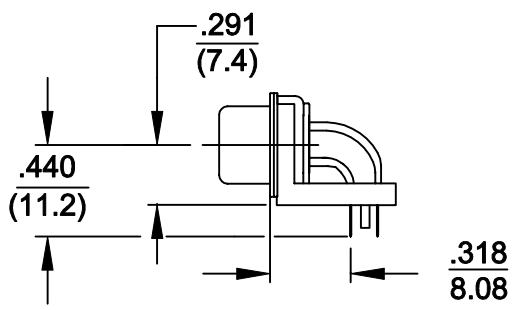
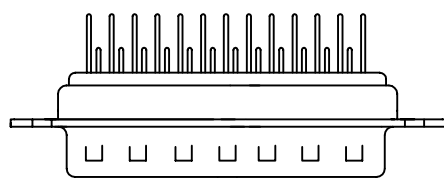
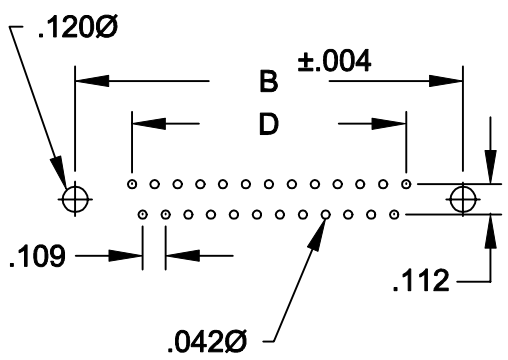
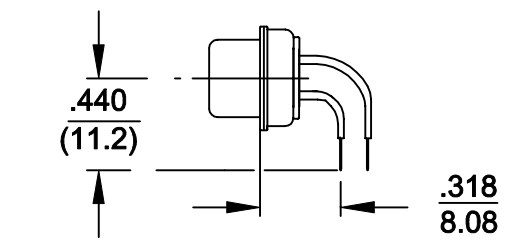
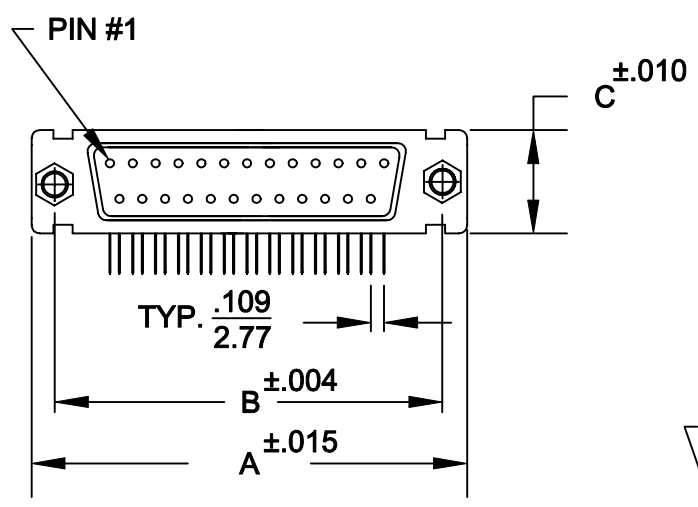


DESCRIPTION: R/A .318" FILTERED D-SUB



	A	B	C	D
9	1.204	.984	.480	.666
	30.6	25.0	12.20	16.92
15	1.535	1.312	.480	.994
	39.0	33.3	12.20	25.25
25	2.078	1.850	.480	1.534
	52.8	47.0	12.20	38.96
37	2.724	2.500	.480	2.079
	69.2	63.5	12.20	52.80



479-XXX-112-XX1

SERIES _____
 POSITIONS _____
 009
 015
 025
 037
 050
 GENDER _____
 1 = MALE
 2 = FEMALE
 TERMINATION _____
 1 - DIP SOLDER
 SHELL PLATING _____
 2 = TIN
 HARDWARE OPTIONS _____
 00 = NO HARDWARE
 58 = STABILIZER BAR(4-40 INSERT/BRDLOCK)
 PLATING OPTIONS _____
 1 = GOLD FLASH

SPECIFICATIONS:

MATERIALS:

SHELL: STEEL, TIN PLATED
 INSULATOR: UL 94V-0 RATED PBTP
 GLASS-FIBER REINFORCED

ELECTRICALS:

INDIVIDUAL CAPACITOR VALUE = 1000 pF
 OTHER VALUES AVAILABLE: CONSULT FACTORY
 CURRENT RATING: 5 AMPS
 CONTACT RESISTANCE: <10 mOHMS
 INSULATOR RESISTANCE: 1000 OHMS
 VOLTAGE: 1 KV / AC
 TEMPERATURE: -55°C TO +125°C

	THESE DRAWINGS AND SPECIFICATIONS ARE THE PROPERTY OF NorComp AND SHALL NOT BE REPRODUCED, COPIED OR USED AS THE BASIS FOR THE MANUFACTURE OF SALE OF APPARATUS WITHOUT WRITTEN PERMISSION.	DRAWN: WAYNE ROBBINS CHECKED:	DATE: 9-06-98 DATE:
	NorComp	SCALE: 1:1 DWG NO. 479-XXX-112-XX1	SHEET 1 OF 1 REV 3