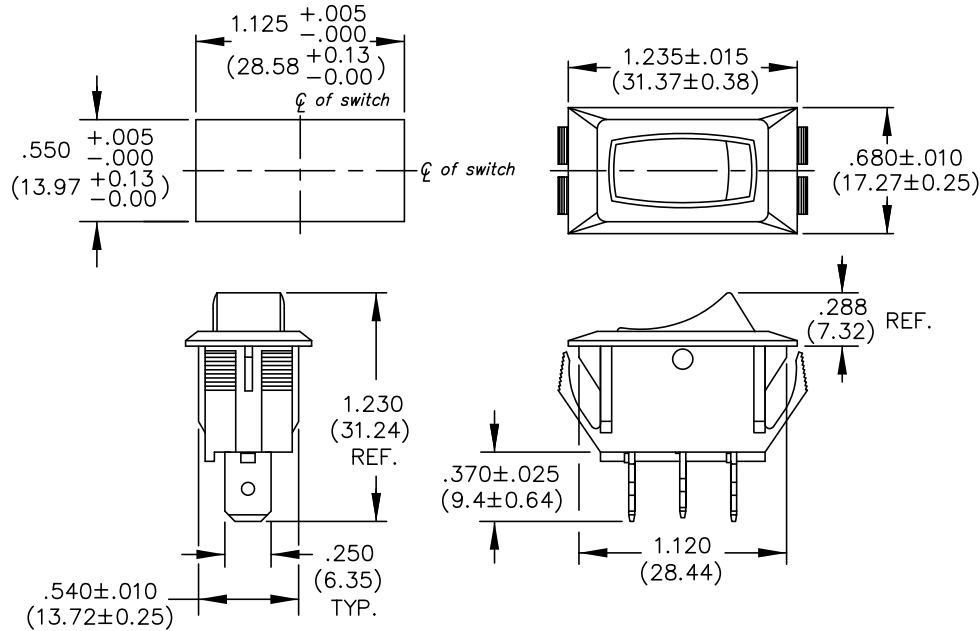


THIS INFORMATION IS CONFIDENTIAL AND PROPRIETARY TO CW INDUSTRIES INCORPORATED AND ITS AFFILIATES. IT MAY NOT BE DISCLOSED TO ANYONE OTHER THAN CW INDUSTRIES PERSONNEL, WITHOUT WRITTEN AUTHORIZATION FROM CW INDUSTRIES INCORPORATED, SOUTHAMPTON, PENNSYLVANIA U.S.A.

**PANEL PIERCING**



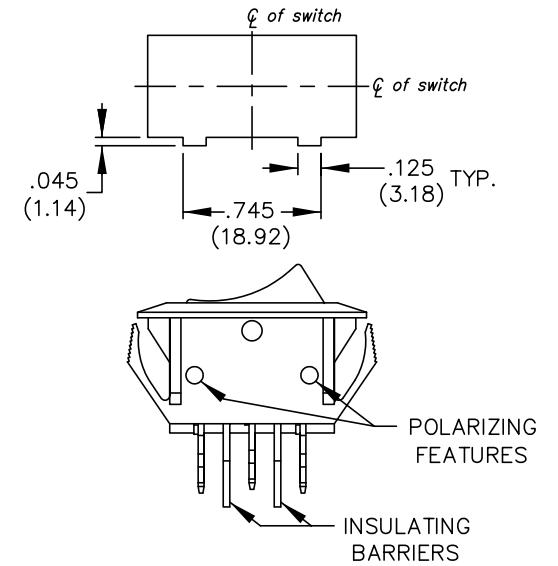
PANEL THICKNESS
.025" to .180" (0.64mm to 4.57mm)

DIMENSIONS IN INCHES (MILLIMETERS)  
DO NOT SCALE DRAWING .....

Dwg. No.  
GRS-2012-2XXX

OPTIONS:

POLARIZED PANEL PIERCING



TERMINAL OPTIONS:

.250" Wide Terminal is standard as Shown in drawing.  
.187" Wide Terminal is optional.

B-FORMAT 2002

REVISIONS

1	2	3	4	5	6	7	8	9	10
---	---	---	---	---	---	---	---	---	----

**CW INDUSTRIES**  
Southampton, Pa. 18966

Title: **ROCKER SWITCH ASSEMBLY S.P.D.T. WITH OPTIONS 1.125 x .550 PANEL**

TOLERANCES UNLESS OTHERWISE SPECIFIED  
 2 Place Decimal  $\pm .010$  METRIC  
 3 Place Decimal  $\pm .005$  1 Place Dec.  $\pm .25$ mm  
 Angles .....  $\pm 1^\circ$  2 Place Dec.  $\pm .13$ mm

Made for: CW IND.  
 Drawn by: DGW 7-06-2010  
 Checked by:  
 Approval:

Division: SWITCH  
 Dwg. No. GRS-2012-2XXX